



CUBE SMART DEHUMIDIFIER

35 Pints/Day | Model # MC35MSWBA3RCM

3 times Larger Capacity

Go longer without emptying

Intelligent Alerts via App

Ultra-Sonic Water Sensor tells you when bucket needs emptying

Versatile, No-Bucket Option

Detach from bucket and place directly over a sink or drain

Adjustable Tank Volume (1-4 Gallons)

Perfect if you like emptying a lighter bucket

Voice Control

With Google Assistant and Amazon Alexa

Warranty on appliances: one-year in-home service by calling 1-866-646-4332.

CUBE Smart Dehumidifier

Model MC35MSWBA3RCM

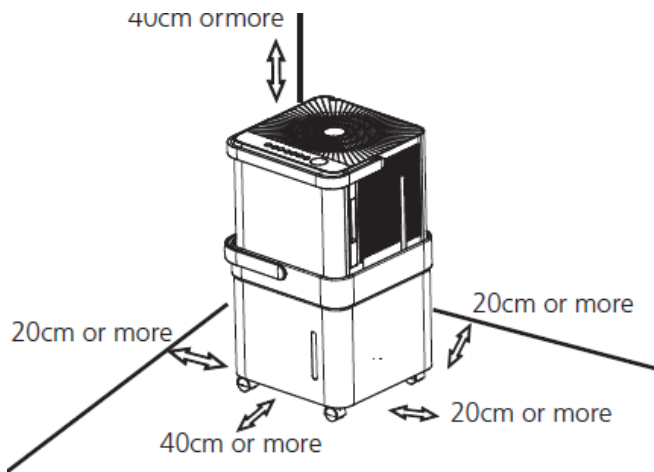
SPECIFICATIONS

| | | | |
|-------------------------------|-------------------------------------|-----------|--------------------|
| Power supply | Voltage type °C | | 115V,1Ph |
| | Supply frequency °C | | 60Hz |
| | Rated input (30 /80%°C) | W | 345 |
| | Moisture removal (18.3/13.7) | Pints/Day | 35.08 |
| | Rated input (18.3/13.7°C) | W | 345 |
| | Rated current (18.3/13.7) | A | 3.1 |
| | Rated IEF (18.3/13.7) | L/kWh | 1.9 |
| Max. Input consumption | Max. Input consumption | W | 700 |
| Max. Current | Max. Current | A | 6.8 |
| Starting current | Starting current | A | 20 |
| Plug type | Plug type | | SP007 |
| | Power cord type | | 16#x3 |
| Control type | Control type | | Electronic Control |
| System data | Air flow (Hi) | m3/h | 320 |
| | Air flow (Lo) | m3/h | 270 |
| | Front side sound pressure level(Hi) | dB(A) | 45 |
| | Front side sound pressure level(Lo) | dB(A) | 42.5 |
| | Rear side sound pressure level(Hi) | dB(A) | 49 |
| | Four sides sound pressure level(Hi) | dB(A) | 49 |
| | Standby power consumption | W | 1 |
| | Water tank volume | L | 16 |
| Applicable ambient | RH Range manual | % | 35-85 |
| | Ambient temp | | 5-32 |
| Refrigerant | Refrigerant type | | R410A |
| Design pressure | Suction design pressure(US) | psi | 300 |
| | Discharge design pressure(US) | psi | 540 |
| Dimension(W*D*H) | Body Length(W) | mm | 375 |
| | Body Width(D) | mm | 367 |
| | Body Height(H) | mm | 370 |
| Packing(W*D*H) | Packing Width(W) | mm | 408 |
| | Packing Depth(D) | mm | 385 |
| | Packing Height(H) | mm | 432 |
| Net/Gross weight | Net weight | Kg | 18.6 |
| | Gross weight | Kg | 20.06 |

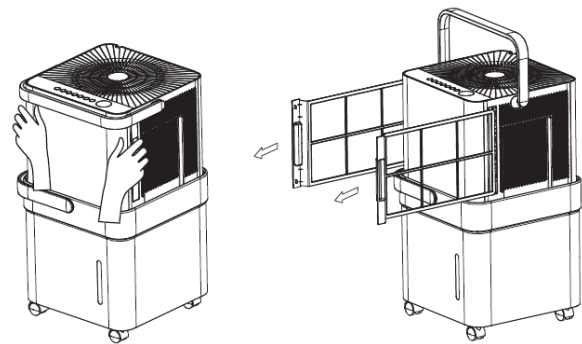
CUBE Smart Dehumidifier

Model # MC35MSWBA3RCM

How to position the unit



How to clean the filter



Installation Instructions

