



CUBE SMART DEHUMIDIFIER WITH PUMP

50 Pints/Day | Model # MAD50PS1QGRC

3 times Larger Capacity

Go longer without emptying

Intelligent Alerts via App

Ultra-Sonic Water Sensor tells you when bucket needs emptying

Versatile, No-Bucket Option

Detach from bucket and place directly over a sink or drain

Adjustable Tank Volume (1-4 Gallons)

Perfect if you like emptying a lighter bucket

Voice Control

With Google Assistant and Amazon Alexa

Built-In Water Pump

Features an efficient 16-watt built-in pump capable of pumping water as high as 16,4 feet vertically. This allows for continuous upward drainage, so the unit can discharge water upward to drain moisture out of a basement window or into a sink

Warranty on appliances: one-year in-home service by calling 1-866-646-4332.

CUBE Smart Dehumidifier

Model MAD50PS1QGRC

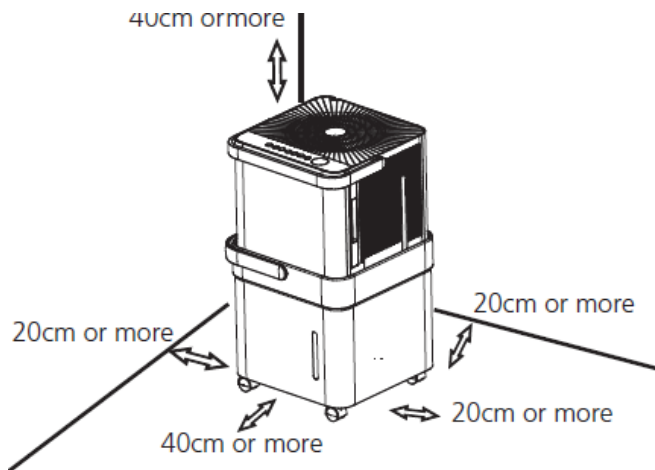
SPECIFICATIONS

Power supply	Voltage type $^{\circ}\text{C}$		115V,1Ph
	Supply frequency $^{\circ}\text{C}$		60Hz
	Rated input (30 /80%) $^{\circ}\text{C}$	W	480
	Moisture removal (18.3/13.7) $^{\circ}\text{C}$	Pints/Day	49.58
	Rated input (18.3/13.7) $^{\circ}\text{C}$	W	480
	Rated current (18.3/13.7) $^{\circ}\text{C}$	A	4.4
	Rated IEF (18.3/13.7) $^{\circ}\text{C}$	L/kWh	1.95
	Rated current (26.7/20.9) $^{\circ}\text{C}$	A	5.15
Max. Input consumption	Max. Input consumption	W	850
Max. Current	Max. Current	A	8.0
Starting current	Starting current	A	23
Plug type	Plug type		SP007
	Power cord type		16#x3
Control type	Control type		Electronic Control
System data	Air flow (Hi)	m3/h	430
	Air flow (Lo)	m3/h	390
	Front side sound pressure level(Hi)	dB(A)	49.5
	Front side sound pressure level(Lo)	dB(A)	48.0
	Rear side sound pressure level(Hi)	dB(A)	54.5
	Standby power consumption	W	1
	Water tank volume	L $^{\circ}\text{C}$	16
Applicable ambient	RH Range manual	%	35-85
	Ambient temp		5-32
Refrigerant	Refrigerant type		R410A
Design pressure	Suction design pressure(US)	psi	300
	Discharge design pressure(US)	psi	540
Dimension(W*D*H)	Body_Length(W)	mm	375
	Body_Width(D)	mm	367
	Body_Height(H)	mm	370
Packing(W*D*H)	Packing_Width(W)	mm	408
	Packing_Depth(D)	mm	385
	Packing_Height(H)	mm	432
Net/Gross weight	Net weight	Kg	18.9
	Gross weight	Kg	20.5

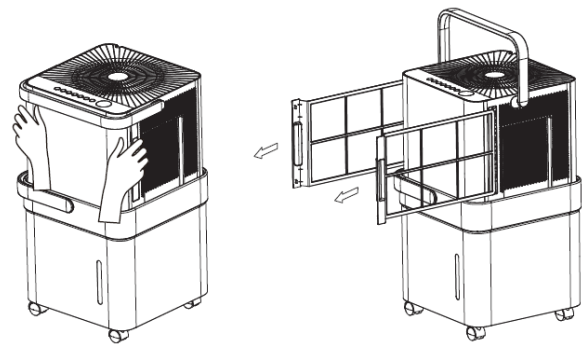
CUBE Smart Dehumidifier

Model MAD50PS1QGRC

How to position the unit



How to clean the filter



Installation Instructions

