



en

Dryer

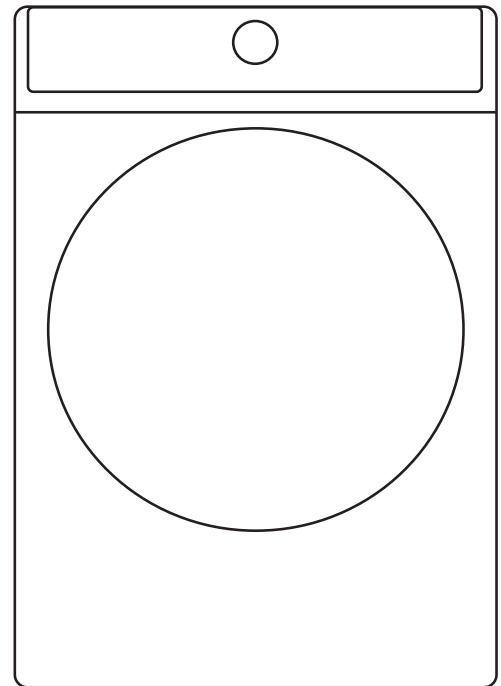
Power supply:120/240V~(E)

Frequency: 60Hz  
Capacity: 8.0 cu ft

Warning:  
Before using this product,  
please read this manual carefully  
and keep it for future reference.  
The design and specifications  
are subject to change without  
prior notice for product  
improvement. Consult with your  
dealer or manufacturer for  
details.

version A - 1

## USER MANUAL & INSTALLATION INSTRUCTIONS



MODEL NUMBERS  
MLHE52S7AWW  
MLHE52S7AGG  
[www.midea/ca](http://www.midea/ca)

# Dear user

---

**THANK YOU** and **CONGRATULATIONS** on your purchase of this high-quality Midea product. Your Midea dryer is designed for reliable, trouble-free performance. Please take a moment to register your new dryer.

Register your new dryer at [www.midea.com](http://www.midea.com) under the Support tab.

For future reference, record your product model and serial numbers located on the inside frame of the dryer.

Model Number \_\_\_\_\_

Serial Number \_\_\_\_\_

<b>DRYER SAFETY .....</b>	<b>4</b>
<b>OPERATION REQUIREMENTS .....</b>	<b>8</b>
IMPORTANT TO INSTALLER.....	8
BASIC REQUIREMENTS.....	9
LOCATION REQUIREMENTS.....	9
DUCTING REQUIREMENTS.....	13
EXHAUSTING REQUIREMENTS.....	15
GAS REQUIREMENTS.....	15
ELECTRIC REQUIREMENTS.....	17
GROUNDING .....	19
<b>PARTS AND FEATURES .....</b>	<b>20</b>
REPLACEMENT PARTS AND ACCESSORIES .....	20
<b>INSTALLATION INSTRUCTIONS .....</b>	<b>21</b>
REMOVING FROM THE PACKAGE .....	21
TOOLS REQUIRED.....	21
PARTS SUPPLIED.....	21
CHOOSE THE PROPER LOCATION.....	22
INSTALL THE EXHAUST SYSTEM.....	22
CONNECT THE GAS LINE (FOR GAS MODELS).....	24
CONNECT THE ELECTRICAL WIRING.....	25
CONNECT INLET HOSES .....	27
LEVEL THE DRYER .....	28
POWER ON .....	28

FINAL CHECK .....	28
DOOR REVERSAL PROCEDURE .....	29
CHANGE THE DRYER VENT LOCATION .....	30
<b>DRYER USE.....</b>	<b>33</b>
CONTROL PANEL .....	33
DRYING A LOAD OF LAUNDRY.....	36
USING THE DRYING RACK.....	39
SPECIAL LAUNDRY TIPS .....	40
<b>DRYER CARE.....</b>	<b>42</b>
CLEANING AND MAINTENANCE .....	42
<b>TROUBLESHOOTING .....</b>	<b>43</b>
CHECK THESE SOLUTIONS IF YOUR DRYER.....	43
ERROR CODES.....	45
<b>APPENDIX .....</b>	<b>46</b>
FABRIC CARE CHART .....	46
<b>WARRANTY.....</b>	<b>47</b>

## READ AND KEEP THESE INSTRUCTIONS FOR FUTURE REFERENCE

This manual contains important information on the installation, use, and care of your appliance. Please read this manual carefully before installation and operation of this machine to prevent injury and property damage.

Warnings and Important Safety Instructions in this manual DO NOT cover all possible conditions and situations that may occur. It is your responsibility to use common sense, caution and care when installing, maintaining and operating your washer.

# DRYER SAFETY

YOUR SAFETY AND THE SAFETY OF OTHERS ARE VERY IMPORTANT

To prevent injury to the user or other people and property damage, the instructions shown here must be followed. Incorrect operation due to ignoring of instructions may cause harm or damage, including death.

The level of risk is shown by the following indications.



This symbol indicates the possibility of death or serious injury.



This symbol indicates the possibility of injury or damage to property.



This symbol indicates the possibility of dangerous voltage constituting a risk of electrical shock is present that could result in death or serious injury.



## WARNING

For your safety the information in this manual must be followed to minimize the risk of fire or explosion, or to prevent property damage, personal injury or death.

- Do not store or use gasoline or other flammable vapors and liquids in the vicinity of this or any other appliance.
- Installation and service must be performed by a qualified installer, service agency, or the gas supplier.



## WARNING

### Fire Hazard



- Failure to follow safety warnings exactly could result in serious injury, death or property damage.
- Do not install a booster fan in the exhaust duct.
- Install all clothes dryers in accordance with the installation instructions of the manufacturer of the dryer.

## WARNING

### What to do if you smell gas:

- Do not try to light any appliance.
- Do not touch any electrical switch; do not use any phone in your building.
- Clear the room, building, or area of all occupants.
- Immediately call your gas supplier from a neighbor's phone. Follow the gas supplier's instructions.
- If you cannot reach your gas supplier, call the fire department.

# IMPORTANT SAFETY INSTRUCTIONS

## WARNING

To reduce the risk of fire, electric shock, or injury to persons when using your appliance, follow basic precautions, including the following:

- Read all instructions before using the appliance.
- Use this appliance only for its intended purpose as described in this Owner's Manual.
- Before use, the dryer must be properly installed as described in this manual.
- ALWAYS follow the fabric care instructions supplied by the garment manufacturer.
- Do not dry articles that have been previously cleaned in, washed in, soaked in, or spotted with gasoline, dry-cleaning solvents, other flammable or explosive substances as they give off vapors that could ignite or explode.
- Do not use the dryer to dry clothes which have traces of any flammable substance, such as vegetable oil, cooking oil, machine oil, flammable chemicals, thinner, etc., or anything containing wax or chemicals, such as mops and cleaning clothes. Flammable substances may cause the fabric to catch fire by itself.
- Do not store or use gasoline or other flammable vapors and liquids near this or any other appliance.
- Do not allow children to play on or in the appliance. Close supervision of children is necessary when the appliance is used near children.
- Before the appliance is removed from service or discarded, remove the lid of the washing or door of the drying compartment.
- Do not reach into the appliance if the drum is moving.
- Do not install or store this appliance where it will be exposed to the weather or freezing temperatures below 33°F.
- Do not tamper with the controls and latch.
- Do not install a booster fan in the exhaust duct.

- Do not repair or replace any part of the appliance or attempt any servicing unless it is specifically recommended in the user-maintenance instructions or in published user-repair instructions that you understand and have the skills to carry out.
- Keep the area underneath and around your appliances free of combustible materials (lint, paper, rags, etc.), gasoline, chemicals and other flammable vapors and liquids.
- Do not place items exposed to cooking oils in your dryer. Items contaminated with cooking oils may contribute to a chemical reaction that could cause a load to catch fire. To reduce the risk of fire due to contaminated loads, the final part of a tumble dryer cycle occurs without heat (cool down period). Avoid stopping a tumble dryer before the end of the drying cycle unless all items are quickly removed and spread out so that the heat is dissipated.
- Turn off the water faucets and unplug the washer if the machine is to be left for an extended period of time, such as during vacations.
- Packaging material can be dangerous for children. There is a risk of suffocation! Keep all packaging from children.
- Always check the inside of the dryer for foreign objects before loading laundry. Keep the door closed when not in use.
- Do not use fabric softeners or products to eliminate static unless recommended by the manufacturer of the fabric softener or product manufacture.
- **Clean the lint screen before or after each load.**
- Keep the area around the exhaust opening and surrounding areas free from lint, dust, and dirt.
- The interior of the dryer and exhaust duct should be cleaned periodically by qualified service personnel.
- Do not place items exposed to cooking oils in your dryer. Items contaminated with cooking oils may contribute to a chemical reaction that could cause a load to catch fire.
- This appliance must be grounded. See “**Electric Requirements**” and “**Grounding**” in the “**Operation Requirements**” section.
- This appliance must be properly grounded. Never plug the power cord into a receptacle that is not grounded adequately and in accordance with local and national codes. Refer to installation instructions for grounding this appliance.
- Ensure pockets are free from small irregularly shaped hard objects and foreign material, i.e. coins, knives, pins, etc. These objects could damage your dryer.
- Do not use heat to dry articles containing foam rubber or similarly textured rubber like - materials.

## WARNING

### To reduce the risk of fire or explosion

- Do not dry items that have been previously cleaned, washed, soaked, or spotted with gasoline, dry cleaning solvents, or other flammable or explosive substances. They emit vapors that could ignite or explode. Any material that has been in contact with a cleaning solvent or flammable liquids or solids should not be placed in the dryer until all traces of these flammable liquids or solids and their fumes have been removed.
- There are many highly flammable items used in homes, such as acetone, denatured alcohol, gasoline, kerosene, some liquid household cleaners, some spot removers, turpentine, waxes, and wax removers.
- Do not dry items containing foam rubber (may be labeled latex foam) or similarly textured rubber-like materials on a heat setting. Heated foam rubber materials can, under certain circumstances, produce fire by spontaneous combustion.

## CAUTION

- Do not sit on top of the dryer.
- Because of continuing product improvements, Midea America reserves the right of change specifications without notice. For complete details, see the Installation Instructions packed with your product before selecting cabinetry, making cutouts, or beginning installation.
- Do not dry clothing with large buckles, buttons, or other heavy metal or solid things.
- Install and use in accordance with the manufacturer's instructions.
- Do not place items in your dryer that have been spotted or soaked with vegetable oil or cooking oil. Even after being washed, these items may contain significant amounts of these oils.
- Residual oil on clothing can ignite spontaneously. The potential for spontaneous combustion increases when items containing vegetable oil or cooking oil are exposed to heat. Heat source such as your dryer can warm these items, allowing an oxidation reaction in the oil to occur.
- Oxidation creates heat. If this heat cannot escape, the items can become hot enough to catch fire. Piling, stacking, or storing these kinds of items may prevent heat from escaping and can create a fire hazard.
- Take care that children's fingers are not caught in door when closing it. This may result in injury.
- Gas leaks may occur in your system, resulting in a dangerous situation.
- Gas leaks may not be detected by smell alone.
- Gas suppliers recommend you purchase and install a UL approved gas detector.

## State of California Proposition 65 Warnings:



**WARNING:** Cancer and Reproductive Harm  
-[www.P65Warnings.ca.gov](http://www.P65Warnings.ca.gov).

# SAVE THESE INSTRUCTIONS

THIS APPLIANCE IS FOR HOUSEHOLD USE ONLY

## OPERATION REQUIREMENTS



### WARNING

#### Fire Hazard



- Clothes dryer installation must be performed by a qualified installer.
- Install the clothes dryer according to the manufacturer's instructions and local codes.
- Do not install a clothes dryer with flexible plastic venting materials. If flexible metal (foil type) duct is installed, it must be of a specific type identified by the appliance manufacturer as suitable for use with clothes dryer. Flexible venting materials are known to collapse, be easily crushed, and trap lint. These conditions will obstruct with the clothes dryer's airflow and increase the risk of fire.
- To reduce the risk of severe injury or death, follow all installation instructions
- Save these instructions.

## IMPORTANT TO INSTALLER

Please read the following instructions carefully before installing the dryer. These instructions should be kept for future reference.



### CAUTION

- The dryer is not suitable for installation in a mobile home.
- Remove the door from all discarded appliances to avoid the danger of a child being trapped and suffocating, after unplugging cut off Power Cord.

## BASIC REQUIREMENTS

**Make sure you have everything necessary for the proper installation.**

- A GROUNDED ELECTRICAL OUTLET is required. Refer to the “**Electrical requirements**” section.
- A POWER CORD electric dryer (except for Canada).
- GAS LINES (if a gas dryer) must meet national and local codes.
- The EXHAUST SYSTEM must be made of rigid metal or flexible stiff-walled metal exhaust ducting.

## LOCATION REQUIREMENTS

1. The dryer should be located where there is enough space at the front for loading the dryer, and enough space behind for the exhaust system.
2. This dryer is factory-ready for the rear exhaust option. If you want to change the vent location, see “Change the dryer vent location” on page 30.
3. Make sure the room in which the dryer is located has enough fresh air. The dryer must be located where there are no air-flow obstructions. Ambient temperature shall not be lower than 33°F.
4. For gas dryers, adequate clearance must be maintained as noted on the data plate to ensure adequate air for combustion and the proper dryer operation.
5. The dryer must not be installed or stored in an area where it will be exposed to water and/or weather. The dryer area must be kept clear of combustible materials, gasoline, and other flammable vapors and liquids. A dryer produces combustible lint. The area around the dryer should be kept lint-free.

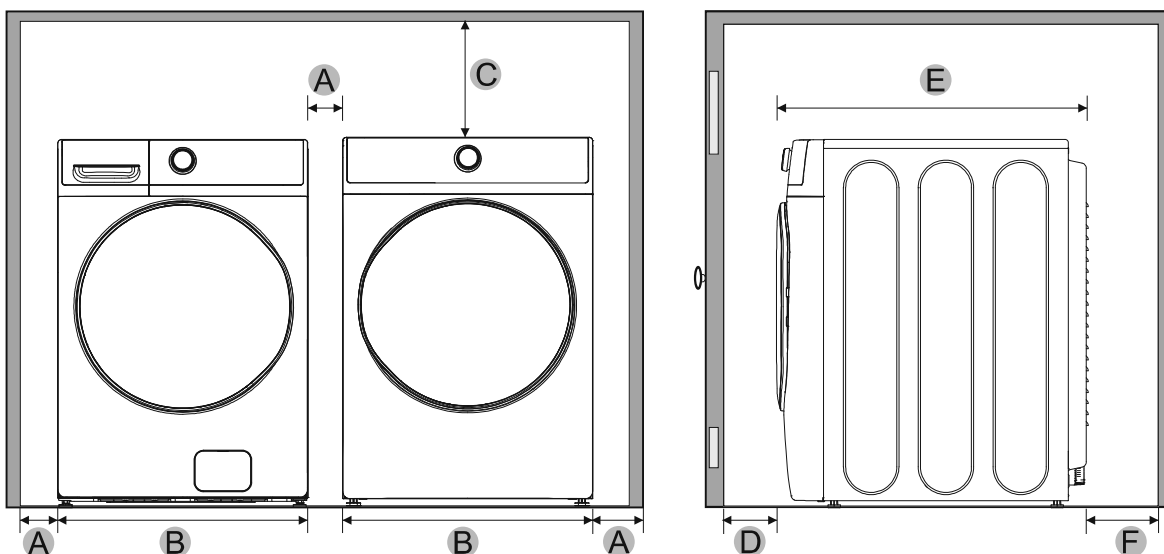
## ALCOVE OR CLOSET OR WALL INSERT/RECESSED INSTALLATIONS

### WARNING

- The dryer must be exhausted to the outside to reduce the risk of fire when installed any place inside the house.
- No other fuel-burning appliance should be installed in the same closet as the dryer.

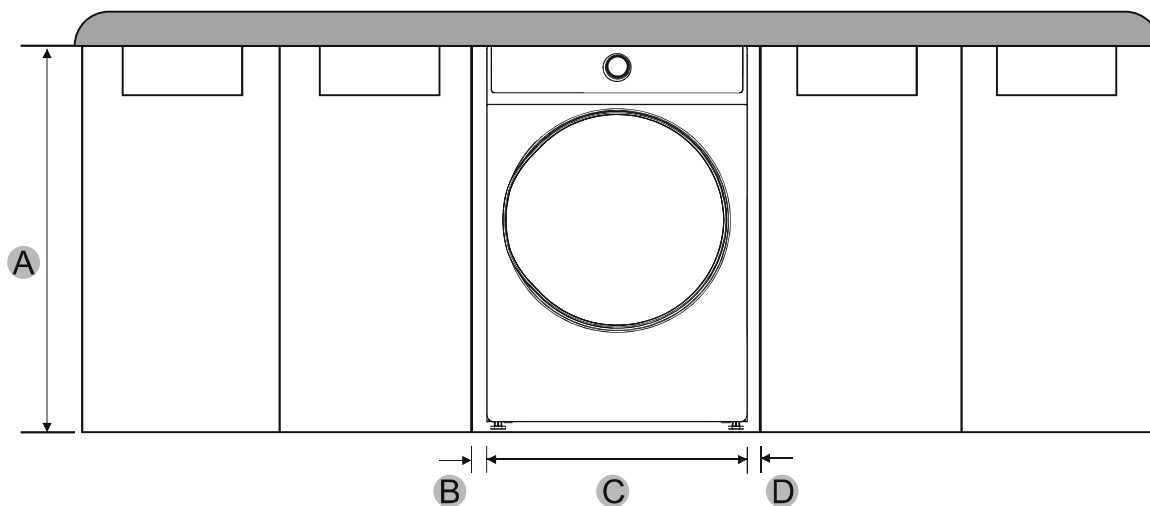
### Minimum clearances between the dryer and adjacent walls or other surfaces:

Sides	1 in. (25 mm)	Rear	5 in. (127 mm)
Top	24 in. (610 mm)	Closet front	2 in. (51 mm)



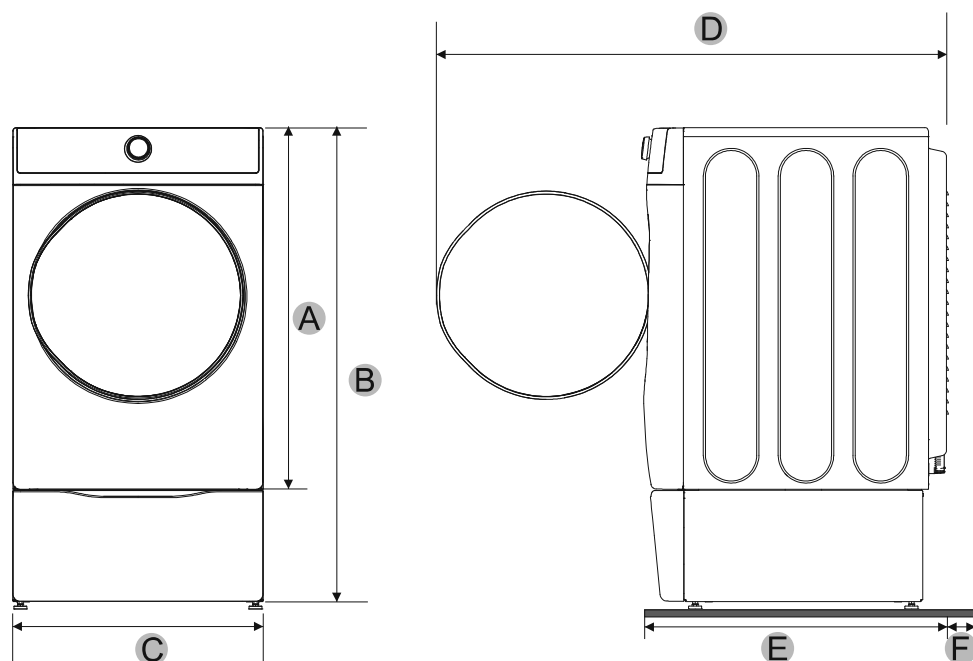
A	1 in. (25 mm)	C	24 in. (610 mm)	E	33.7 in. (855 mm)
B	27 in. (686 mm)	D	2 in. (51 mm)	F	5 in. (127 mm)

## UNDERCOUNTER INSTALLATION



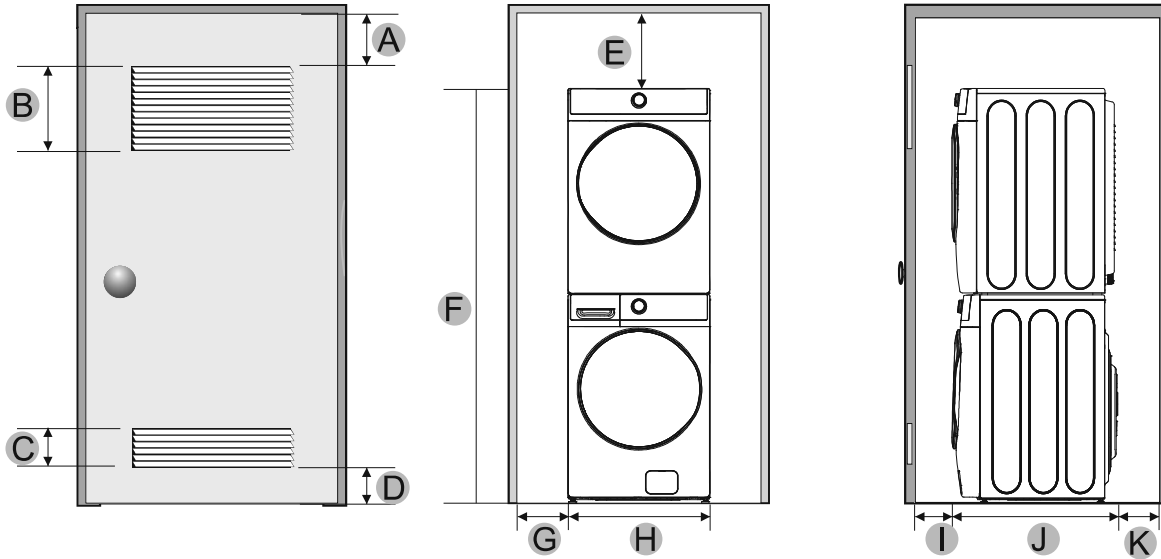
A	39.8 in. (1010 mm)	C	27 in. (686 mm)
B	1 in. (25 mm)	D	1 in. (25 mm)

## PEDESTAL INSTALLATION



A	39 in. (991 mm)	C	27 in. (686 mm)	E	33.7 in. (855 mm)
B	51.9 in. (1317 mm)	D	55.2 in. (1402 mm)	F	5 in. (127 mm)

## STACKED INSTALLATION

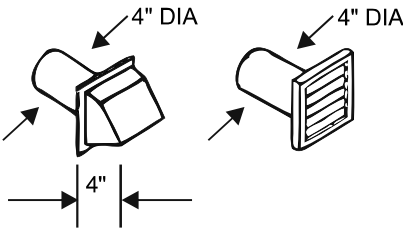
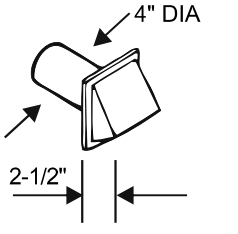


A	3 in. (76 mm)	E	6 in. (152 mm)	I	3 in. (76 mm)
B	48 in. <sup>2</sup> (31000mm <sup>2</sup> )	F	79 in. (2007 mm)	J	33.7 in. (855 mm)
C	24 in. <sup>2</sup> (15500mm <sup>2</sup> )	G	1 in. (25 mm)	K	8 in. (203 mm)
D	3 in. (76 mm)	H	27 in. (686 mm)		

### NOTE:

The front of the closet must have two unobstructed air openings for a combined minimum total area of 72 sq.in. (465 sq.cm) with a minimum clearance of 3 in. (76 mm) at the top and bottom. A slatted door with equivalent space clearance is acceptable.

# DUCTING REQUIREMENTS

	Recommended	Use only for short-run installation
Weather Hood Type	 <p>4 inch. (10.2 cm)</p>	 <p>2.5 inch. (6.4 cm)</p>
No. of 90° elbows	Rigid Metallic	Rigid Metallic
0	90 ft. (27.4 m)	60 ft. (18.3 m)
1	60 ft. (18.3 m)	45 ft. (13.7 m)
2	45 ft. (13.7 m)	35 ft. (10.7 m)
3	35 ft. (10.7 m)	25 ft. ( 7.6 m)

**If this new dryer is installed into an existing exhaust system you must make sure:**

- The exhaust system meets all local, state, and national codes.
- That a flexible plastic duct is not used.
- To inspect and clean all lint buildup from inside the existing duct.
- The duct is not dented or crushed.
- The exhaust hood damper opens and closes freely.

## Manometer measurements

The static pressure in any exhaust system for best results shall be between 0.3 to 0.8 inches of water column, and cannot be less than 0 under any circumstances. with installed duct of 4 inch diameter. Measurement must be done with the empty dryer working with a manometer at the point where the exhaust duct connects to the dryer. A no-heat setting should be used. Lint filter must be clean.



## WARNING

### The correct exhaust installation is **YOUR RESPONSIBILITY**.

- Use a 4-inch (10.2cm) diameter rigid aluminum or rigid galvanized steel duct.
- Do not use smaller diameter than recommended diameter duct.
- Ducts larger than 4 inches (10.2cm) in diameter can result in increased accumulation of lint and changes in performance
- Lint should be removed regularly from internal filter every cycle and from ducts.
- If a flexible metal duct must be used, use the type with a stiff sheet metal wall. Do not use a flexible duct with a thin foil wall. A serious blockage can result if the flexible metal duct is bent too sharply.
- Never install any type of flexible duct in walls, ceilings, or other concealed spaces.
- Keep the exhaust duct as straight, short as possible, minimum elbows
- Secure joints with duct tape. Do not use screws.
- Plastic flexible ducts can kink, sag, be punctured, reduce airflow, extend drying times, and affect the dryer operation.
- Exhaust systems longer than recommended 90 ft can extend drying times, affect machine operations, and collect lint.
- The exhaust duct should end with an exhaust hood with a swing-out damper to prevent back drafts and entry of wildlife. Never use an exhaust hood with a magnetic damper.
- The hood should have at least 12 inches (30.5cm) of clearance between the bottom of the hood and the ground or other obstruction. The hood opening should point down.
- Never install a screen over the exhaust outlet.
- To avoid lint buildup, do not exhaust the dryer directly into a window well. Do not exhaust under a house or porch.
- If the exhaust duct must run through an unheated area, the duct should be insulated and slope slightly down towards the exhaust hood to reduce condensation and lint buildup.
- Inspect and clean the interior of the exhaust system at least once a year. Unplug the power cord before cleaning.
- Check frequently to make sure the exhaust hood damper opens and closes freely.
- Check once per month, and clean at least once per year. NOTE: If your clothes are not getting dry, then check the ducting for obstructions.
- Do not exhaust the dryer into a wall, ceiling, crawl space, or concealed space of a building, gas vent, or any other common duct or chimney. This could create a fire hazard from the lint expelled by the dryer.
- Do not use non-metallic flexible duct.
- To reduce the risk of fire, this dryer **MUST BE EXHAUSTED OUTDOORS**.

## EXHAUSTING REQUIREMENTS

### WARNING

- The dryer shall not be exhausted into a chimney, a wall, a ceiling, an attic, a crawl space, or a concealed space of a building.
- The dryer must be exhausted to the outside to reduce the risk of fire when installed in alcove or closet.

Exhausting the dryer to the outside will prevent large amounts of lint and moisture from being blown into the room.

### WARNING

#### NEVER USE A PLASTIC OR NON-METAL FLEXIBLE DUCT

If your existing ductwork is plastic, non-metal, or combustible, replace it with metal before installation this appliance

Use only a metal exhaust duct that is non-flammable to ensure containment of the exhaust air heat, and lint.

Refer to the “Ducting requirements” section on page 13 for the maximum duct length and number of bends.

- All dryers must be exhausted to the outside.
- Do not assemble the duct with screws or other fastening means that extend into the duct and catch lint.
- The exhaust duct should be 4 inches (102mm) in diameter.
- The total length of flexible metal duct shall not exceed 7.8 feet (2.4 meters).

## GAS REQUIREMENTS

Use only natural or LP (liquid propane) gases.

**THE INSTALLATION MUST CONFORM WITH LOCAL CODES, OR IN THE ABSENCE OF LOCAL CODES, WITH THE NATIONAL FUEL GAS CODE, ANSI Z223.1/NFPA 54, LATEST REVISION (FOR THE UNITED STATES), OR THE NATURAL GAS AND PROPANE INSTALLATION CODE, CSA B149.1, LATEST REVISION (FOR CANADA).**

Gas dryer are equipped with a burner orifice for use with natural gas. If you plan to use your dryer with LP (liquid propane) gas, it must be converted for safe and proper performance by a qualified service technician.

A ½" (1.27 cm) gas supply line is recommended and must be reduced to connect to the ⅜" (1 cm) gas line on your dryer. The National Fuel Gas Code requires that an accessible, approved manual gas shut-off valve be installed within 6" (15,24 cm) of your dryer.

**Gas dryers installed in residential garages must be raised 18" (46cm) above the floor.**

Dryer Safety
Operation Requirements
Parts and Features
Installation Instructions
Dryer Use
Dryer Care
Troubleshooting
Appendix

Additionally, a 1/8" (0.3cm) N.P.T. (National Pipe Thread) plugged tapping, accessible for test gauge connection, must be installed immediately upstream of your dryer's gas supply connection.

Your dryer must be disconnected from the gas supply pipe system during any pressure testing of the system.

This dryer must be connected to the gas supply piping with a listed flexible gas connector that complies with the standard for connectors for gas appliances, ANSI Z21.24 or CSA 6.10.

**DO NOT** reuse old flexible metal gas lines. Flexible gas lines must be design certified by the American Gas Association (CGA in Canada).

- Any pipe joint compound used must be resistant to the action of any liquefied petroleum gas.
- As a courtesy, most local gas utilities will inspect a gas appliance installation.

**GAS IGNITION** - Your dryer uses an automatic ignition system to ignite the burner. There is no constant burning pilot.

### COMMONWEALTH OF MASSACHUSETTS INSTALLATION INSTRUCTIONS

Your dryer must be installed by a licensed plumber or gas fitter. A "T" handle manual gas valve must be installed in the gas supply line to installed dryer at location of operation. If a flexible gas connector is used to connect dryer, the connector may not be longer than 3' (36", 91.5 cm).



#### WARNING

- Gas leaks may occur in your system, creating a dangerous situation.
- Gas leaks may not be detected by smell alone.
- Gas suppliers recommend that you purchase and install a UL-approved gas detector.
- Install and use it in accordance with the manufacturer's instructions.

# ELECTRIC REQUIREMENTS

The wiring diagram is located on the back board of the unit.

## WARNING

- The improper connection of the equipment grounding conductor can result in the risk of electric shock. Check with a qualified electrician or serviceman if you are in doubt as to whether your dryer is properly grounded. Do not modify the plug provided with your dryer - if it doesn't fit the outlet, have a proper outlet installed by a qualified electrician.
- To prevent unnecessary risk of fire, electrical shock, or personal injury, all wiring and grounding must be done in accordance with local codes, or in the absence of local codes, with the National Electrical Code, ANSI/NFPA No. 70 - Latest Revision (for the U.S.) or the Canadian Electrical Code CSA C22.1 - Latest Revisions and local codes and ordinances. It is your responsibility to provide adequate electrical services for your dryer.
- All gas installations must be done in accordance with the National Fuel Code ANSI/Z2231 - Latest Revision (for the U.S.) or CAN/CGA - B149 Installation Codes - Latest Revision (for Canada) and local codes and ordinances.

### Electrical connections

An individual branch (or separate) circuit serving only your dryer is recommended. **DO NOT USE AN EXTENSION CORD.**

### Gas models - U.S. and Canada

A 120Volt, 60Hz AC approved electrical service, with a 15 ampere fuse or circuit breaker is required.

### Electric models - U.S. only

Most dryers require a 240 volt, 60Hz AC approved electrical service. Some require 208 volt, 60Hz approved electrical service. The electric service requirements can be found on the data label located behind the door. A 30-ampere fuse or circuit breaker on both sides of the line is required.

- If a power cord is used, the cord should be plugged into a 30-ampere receptacle.
- The power cord is NOT provided with U.S. electric model dryers.

 **WARNING****Electrical Shock Hazard**

When local codes allow, the electrical supply of the dryer may be connected by means of a new power supply cord kit, marked for use with a dryer, that is UL listed and rated at a minimum of 120/240 volts, 30-ampere with three No. 10 copper wire conductors terminated with closed loop terminals, open-end spade lugs with turned up ends, or with tinned leads.

- Do not reuse a power supply cord from an old dryer. The power cord electric supply wiring must be retained at the dryer cabinet with a suitable UL-listed strain relief.
- Grounding through the neutral conductor is prohibited for (1) new branch-circuit installations, (2) mobile homes, (3) recreational vehicles, and (4) areas where local codes prohibit grounding through the neutral conductor. (Use a 4-prong plug for 4 wire receptacles, NEMA type 14-30R.)

**Electric models - Canada only**

- A 240 volt, 60Hz AC approved electrical service fused through a 30-ampere fuse or circuit breaker on both sides of the line is required.
- All Canadian models are shipped with the power cord attached. The power cord should be plugged into a 30-ampere receptacle.
- In Canada, you may not convert a dryer to 208 volts.

## GROUNDING

This dryer must be grounded. In the event of a malfunction or breakdown, the grounding the product will reduce the risk of electrical shock by providing a path of least resistance for the electrical current.

### WARNING

#### **Gas and Electric models**

- Certain internal parts are intentionally not grounded and may present a risk of electric shock only during servicing. Service Personnel – Do not contact the following parts while the appliance is energized: inlet valve, control board and temperature-regulating thermistor (located on blower housing).

### WARNING

#### **Gas models**

- Your dryer has a three prong power cord with grounding conductor. 120V-60Hz
- The plug must be plugged into an appropriate individual outlet that is properly installed and grounded in accordance with all local codes and ordinances.

### WARNING

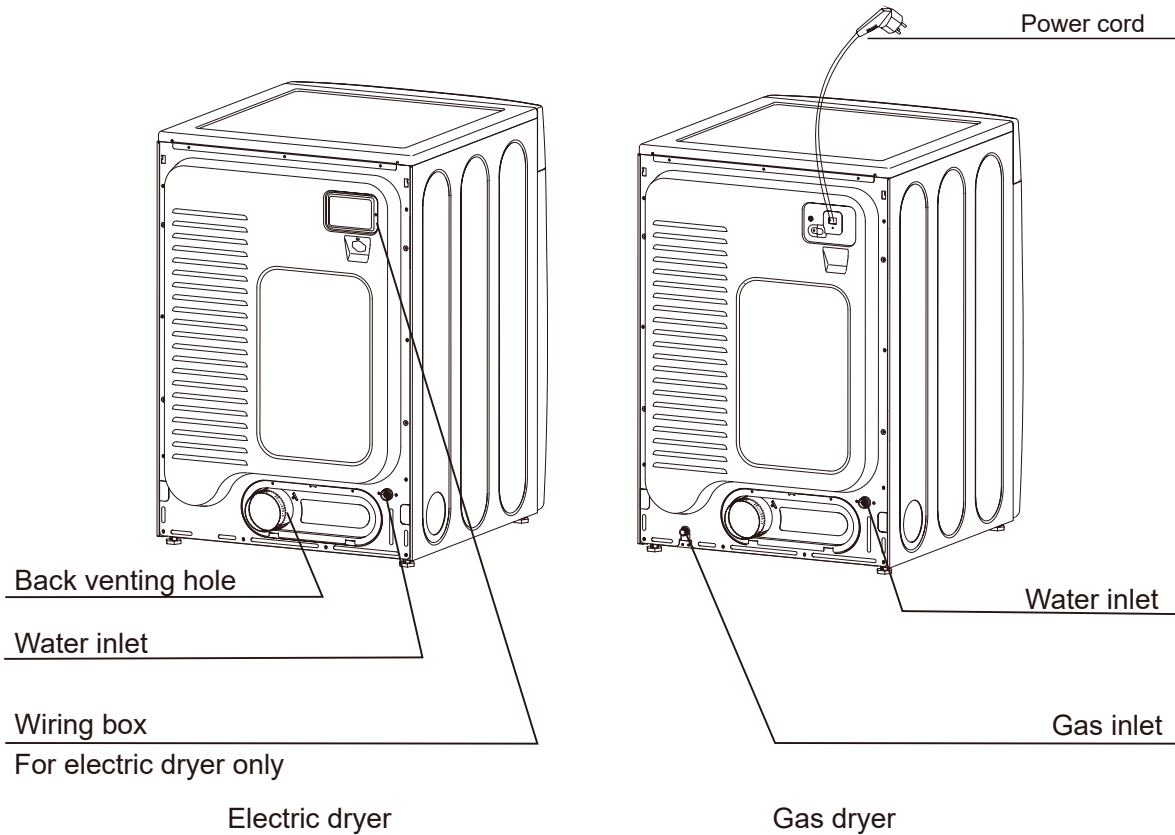
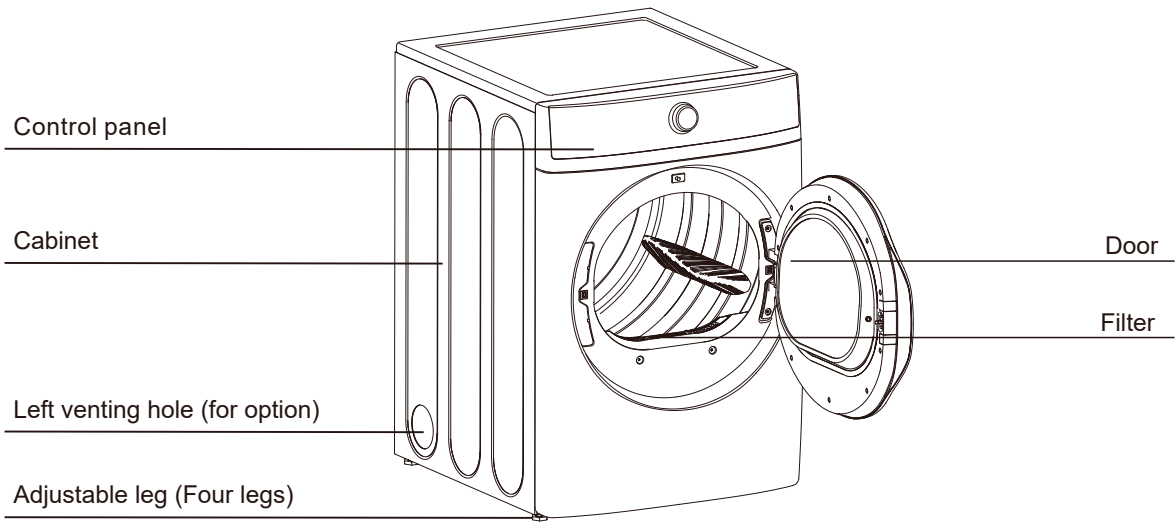
#### **Electric models**

Dryer must be grounded with 3 or 4 wire cord power cord with ground grounding conductor and a grounding plug, which is sold separately.

- The plug must be plugged into an appropriate outlet that is properly installed and grounded in accordance with all local codes and ordinances.
- Do not modify the plug provided with your dryer - if it doesn't fit the outlet, have a proper outlet installed by a qualified electrician.
- If a power cord is not used and the electric dryer is to be permanently wired, the dryer must be connected to a permanently grounded metal wiring system, or an equipment grounding conductor must be run with the circuit conductors and connected to the equipment grounding terminal or lead on the dryer.

# PARTS AND FEATURES

Dryer Safety  
 Operation Requirements  
**Parts and Features**  
 Installation Instructions  
 Dryer Use  
 Dryer Care  
 Troubleshooting  
 Appendix



## REPLACEMENT PARTS AND ACCESSORIES

If your dryer requires replacement parts or accessories, contact the dealer where you purchased your dryer or **MIDEA** customer care center at **1-888-365-2230**.

# INSTALLATION INSTRUCTIONS

For the proper installation, we recommend that you hire a qualified installer.

## REMOVING FROM THE PACKAGE

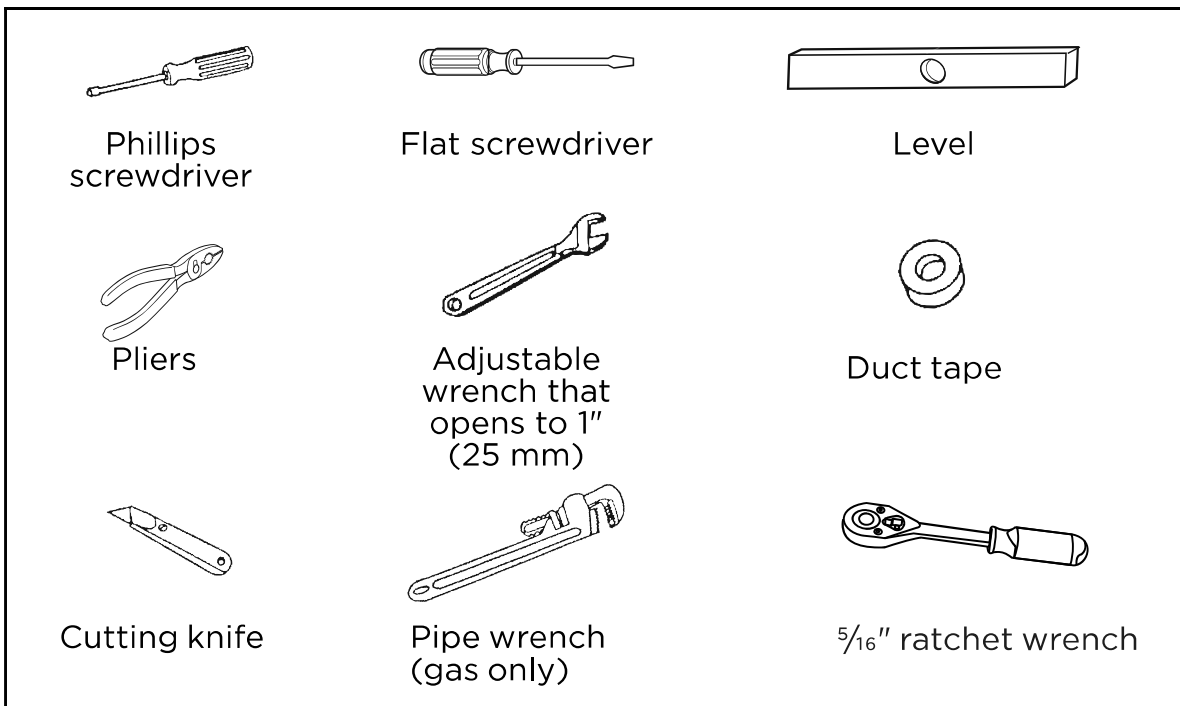
- Unpack your dryer and inspect it for shipping damage. Make sure you have received all the items shown below.
- To prevent personal injury or strain, wear protective gloves whenever lifting or carrying the unit.

### **WARNING**

Packaging materials can be dangerous to children;

Keep all packaging material (plastic bags, polystyrene, etc.) well out of children's reach.

## TOOLS REQUIRED



## PARTS SUPPLIED

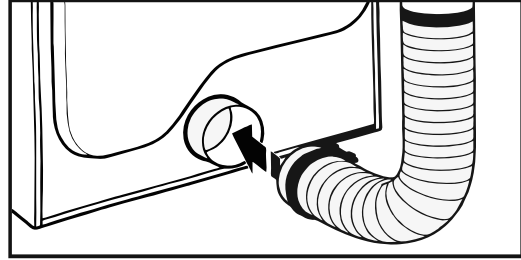
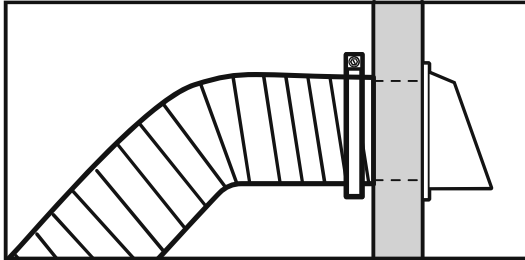


## CHOOSE THE PROPER LOCATION

1. Move your dryer to an appropriate location for the installation. Consider installing the dryer and washer side-by-side, to allow access to the gas, electrical, and exhaust connections.
2. To move the dryer easily, lay the carton cushions from the packaging on the floor. Tip the dryer on its side so it lies across both cushion-tops. Push the dryer so that it is near its final location, and then set the dryer upright.

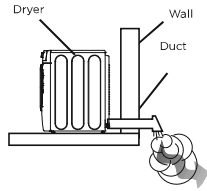
## INSTALL THE EXHAUST SYSTEM

1. Review the “Exhausting Requirements” section on before installing the exhaust system.
2. Install the ductwork from your dryer to the exhaust hood. The crimped end of the duct sections must point away from your dryer.
3. DO NOT use sheet metal screws when assembling the ducting.
4. These joints should be taped.
5. Never use plastic flexible exhaust material.
6. Tip for tight installations: install a section of the exhaust system onto your dryer before putting it in place.
7. Use duct tape to secure this section to your dryer, but do not cover the ventilation slots at the back of the unit in dryer cabinet.

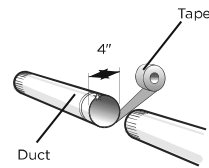


**! WARNING**

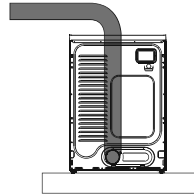
Make sure your dryer is installed properly so it exhausts air easily.



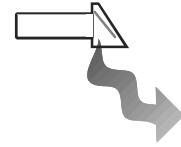
Use a 4" (10.2 cm) diameter rigid metal duct. Tape all joints, including at the dryer. Never use lint-trapping screws.



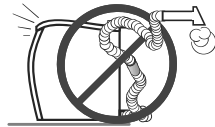
Keep ducts as straight as possible.



Clean all old ducts before installing your new dryer. Be sure the vent flap opens and closes freely. Inspect and clean the exhaust system annually.



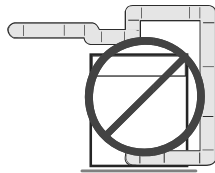
DO NOT restrict your dryer with a poor exhaust system.



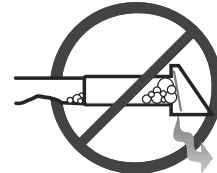
DO NOT use a plastic, thin foil, or non-metal flexible duct.



DO NOT use unnecessarily long ducts that have many elbows.



DO NOT use dented or clogged ducts and vent.



Dryer Safety

Operation Requirements

Parts and Features

Installation Instructions

Dryer Use

Dryer Care

Troubleshooting

Appendix

## CONNECT THE GAS LINE (FOR GAS MODELS)

Dryer  
Safety

Review the “**Gas Requirements**” section on page 15. Remove the pipe thread protective cap.

Apply a pipe joint compound or about 1½” wraps of teflon tape over all threaded connections.

- The pipe joint compound must be resistant to the actions of any liquefied petroleum gas.

Operation  
Requirements

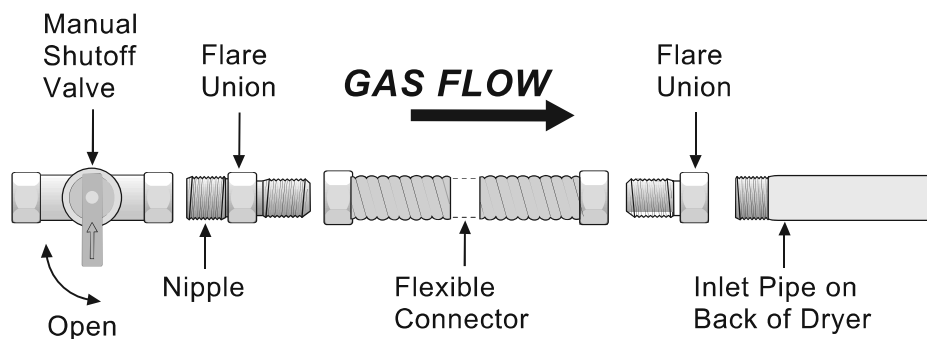
Connect the gas supply to your dryer. An additional fitting is required to connect the ¾” (1.9 cm) female thread end of a flexible connector to the ⅜” (1 cm) male threaded end on the dryer. Use only new AGA or CSA certified gas supply line with SS flexible connectors. within 6 ft (1.8 m) of the dryer

Parts and  
Features

Securely tighten the gas line fitting over the threads.

Turn on the gas supply.

Installation  
Instructions



All connections must be wrench-tightened

Dryer Use

### **!** WARNING

- All gas installations of the dryer must be equipped with Manual Shut-Off valve.
- Uncoated copper tubing will corrode when subjected to natural gas, causing gas leaks. Use ONLY black iron, stainless steel, or plastic-coated brass piping for gas supply.
- Check all gas connections for leaks using a soap solution.
- If bubbles appear, tighten the connections and recheck. DO NOT use an open flame to check for gas leaks.

Dryer Care

Troubleshooting

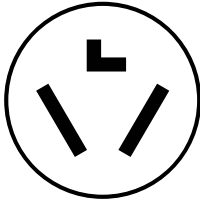
Appendix

# CONNECT THE ELECTRICAL WIRING

Review the “**Electric Requirements**” section on page 17.

BEFORE OPERATING OR TESTING, follow the grounding instructions in the “**Grounding**” section on page 19.

## THREE WIRE OUTLET



3-Wire  
receptacle  
(10-30R)

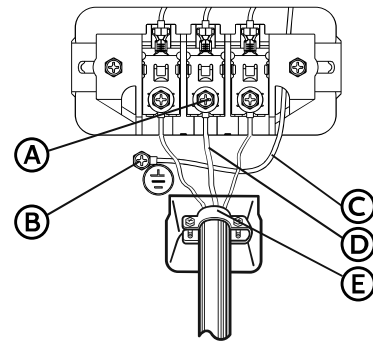
Then choose a 3-wire power supply cord with ring or spade terminals and UL listed strain relief. The 3-wire power supply cord, at least 4 ft. (1.22 m) long, must have 3 10-gauge solid copper wires and match a 3-wire receptacle of NEMA Type 10-30R.

### 3-Wire system connections

1. Remove the center terminal block screw.
2. Connect the neutral wire (white or center wire) of the power cord to the center terminal screw of the terminal block. Be sure to cross the screw through the ring of the power cord terminal and tighten the screw.
3. Connect the other wires to the outer terminal block screws. Be sure to cross the screw through the terminal ring and tighten the screw.
4. Tighten the strain relief screws.
5. Insert the tab of the terminal block cover into your dryer’s rear panel slot. Secure the cover with a screw.

3-wire system instructions:

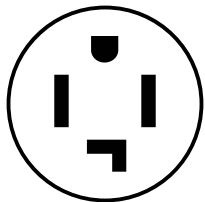
- Ⓐ Center terminal block screw
- Ⓑ External ground connector
- Ⓒ Neutral grounding wire (White)
- Ⓓ Neutral wire (white or center wire)
- Ⓔ 3/4" (1.9cm) UL-listed strain relief



### WARNING

If converting from a 4-wire electrical system to a 3-wire, the neutral grounding wire must be connected to the external ground connector to ground the dryer frame to the neutral conductor. Ring-type terminals are recommended. If using strap terminals, make sure they are tightened.

## FOUR WIRE OUTLET



4-Wire  
receptacle  
(14-30R)

Then choose a 4-wire power supply cord with ring or spade terminals and UL listed strain relief. The 4-wire power supply cord, at least 4 ft. (1.22 m) long, must have 4 10-gauge solid copper wires and match a 4-wire receptacle of NEMA Type 14-30 R. The ground wire (ground conductor) may be either green or bare. The neutral conductor must be identified by a white color.

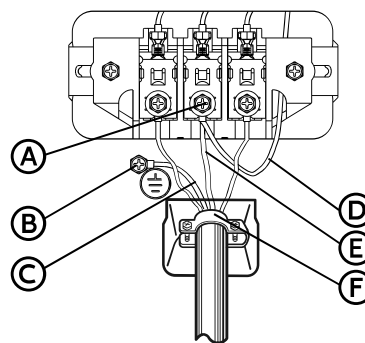
### 4-Wire system connections

1. Remove the center terminal block screw.
2. Connect the ground wire (green or unwrapped) of the power cord to the external ground conductor screw.
3. Connect the neutral wire (white) of power cord and the appliance neutral grounding wire (white) under the center screw of terminal block. Be sure to cross the screw through the ring of the power cord and appliance neutral grounding wire. Tighten screw.
4. Connect the other wires to the outer terminal block screws. Be sure to cross the screw through the terminal ring and tighten the screw.
5. Tighten the strain relief screws.
6. Insert the tab of the terminal block cover into your dryer's rear panel slot. Secure the cover with a screw.

4-wire system instructions:

**IMPORTANT:** Ring-type terminals are recommended. If using strap terminals, make sure they are tightened.

- (A) Center terminal block screw
- (B) External ground connector
- (C) Green or bare copper wire of the power cord
- (D) Neutral grounding wire (White)
- (E) Neutral wire (white)
- (F)  $\frac{3}{4}$ " (1.9cm) UL-listed strain relief



## WARNING



### Electrical Shock Hazard

All U.S. models are produced for a **3-WIRE SYSTEM CONNECTION**.

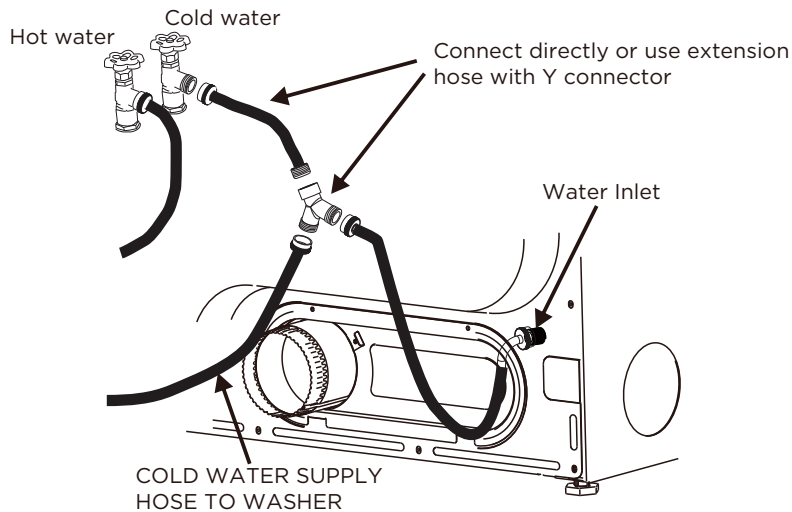
The dryer frame is grounded to the neutral conductor at the terminal block. A **4-WIRE SYSTEM CONNECTION** is required for new or remodeled construction, mobile homes, or if local codes do not permit grounding through neutral conductor. If the 4-wire system is used, the dryer frame cannot be grounded to the neutral conductor at the terminal block. Refer to the “**Electric Requirements**” section on page 17 for 3-WIRE or 4-WIRE SYSTEM CONNECTIONS.

Remove the terminal block cover plate.

Insert the power cord with a UL-listed strain relief through the hole provided in the cabinet near the terminal block. Be sure they are tight. Use a  $\frac{3}{8}$ " (1 cm) deep-well socket.

- A strain relief must be used.

## CONNECT INLET HOSES



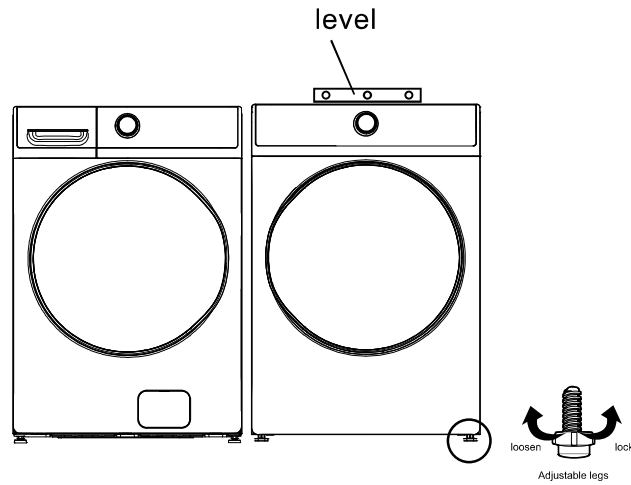
If possible install the “Y” connector directly, thread the short extension hose on to the COLD water supply and snug it by hand; then tighten it another  $\frac{2}{3}$  turn with pliers. Thread the “Y” connector to the short extension hose and snug it by hand; then tighten it another  $\frac{2}{3}$  turn with pliers. Connect the COLD inlet hose for the washer to the “Y” connector and snug it by hand; then tighten it another  $\frac{2}{3}$  turn with pliers.

Connect the straight end of a long hose to the other outlet on the “Y” connector and snug it by hand. Connect the hose’s 90° coupling to the brass water inlet on the back of the dryer and snug it by hand. Tighten each connection of the dryer inlet hose another  $\frac{2}{3}$  turn with pliers. Turn on the water and check for leaks at all connections.

## LEVEL THE DRYER

To ensure that the dryer provides the optimal drying performance, it must be leveled. To minimize vibration, noise, and unwanted movement, the floor must be a perfectly level, solid surface.

- Adjust the leveling feet only as much as necessary to level the dryer. Extending the leveling feet more than necessary can cause the dryer to vibrate.



## POWER ON

Make sure all gas connections (Gas Models only), exhaust and electrical connections are complete. Plug in your dryer.

## FINAL CHECK

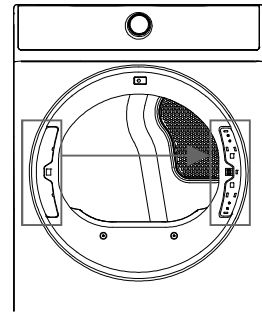
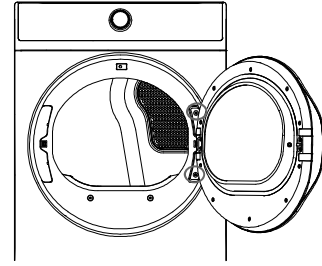
- Make sure the dryer is plugged into an electrical outlet and is properly grounded.
- The exhaust ductwork is hooked up and the joints are taped.
- A plastic flexible duct is NOT used.
- Use rigid or stiff-walled flexible metal vent material.
- The dryer is leveled and is sitting firmly on the floor.
- Gas models - the gas is turned on with no gas leakage.
- Start your dryer to confirm that it runs, heats, and shuts off.

### **!** CAUTION

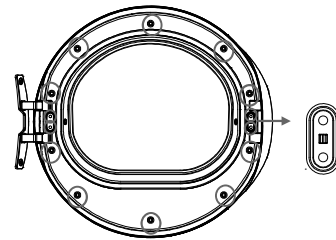
The burner may not ignite initially due to air in the gas line. Allowing your dryer to operate on a heat setting will purge the line. If the gas does not ignite within 5 minutes, turn your dryer off and wait 5 minutes. Be sure the gas supply to your dryer has been turned on. In order to confirm the gas ignition, check the exhaust for heat.

## DOOR REVERSAL PROCEDURE

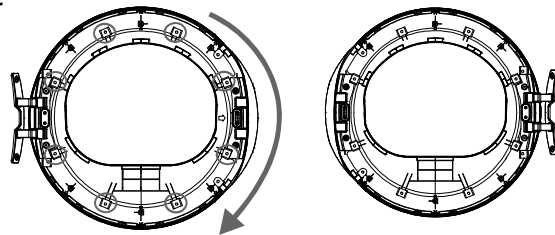
1. Unplug the power cord.
2. Remove the two hinge screws from the door.
3. Remove the door by lifting it.
4. Using a flat-blade screwdriver, remove the hinge hole cover.
5. Install the hinge hole cover on the opposite side.



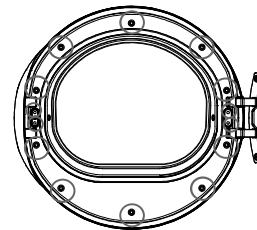
6. Remove the 14 screws from the back cover and then remove the back cover and the door pin.



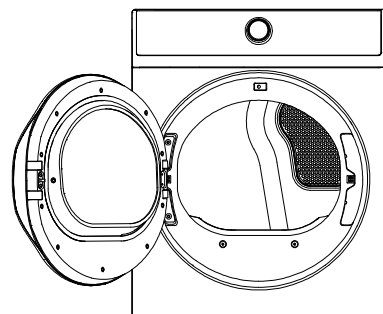
7. Remove the 8 screws from the inner door and rotate the rest parts for 180 degrees.



8. Assemble the inner door and the back cover, place the door pin on the opposite side and then fasten the 14 screws that removed in Step 6.



9. Install the door on the frame-front and then fasten the 2 screws that were removed in Step 2.

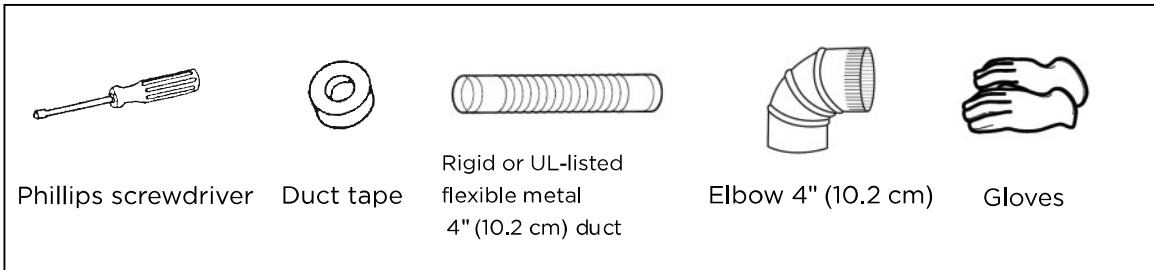


# CHANGE THE DRYER VENT LOCATION

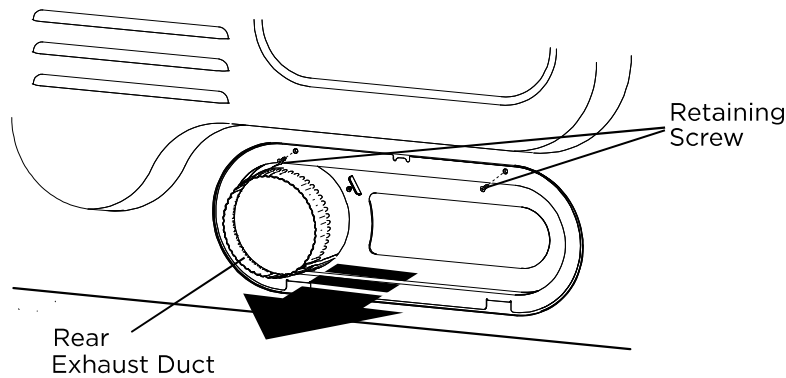
Your new dryer is shipped to vent to the rear. It can also be configured to vent to the bottom or left side (see from the front).

An Adapter kit is standard component which you can purchase from local market.

## Tools and materials you will need

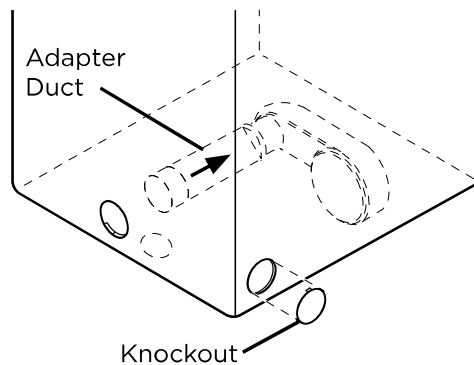


1. Remove the rear exhaust retaining screws. Pull out the exhaust duct.

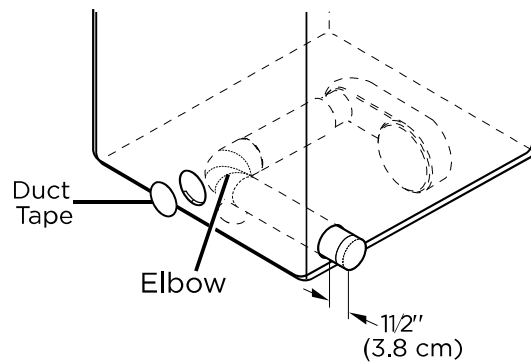


### Option 1: Side venting

2. Press the tabs on the knockout and carefully remove the knockout for the desired vent opening.  
Press the adapter duct onto the blower housing of the dryer as shown.

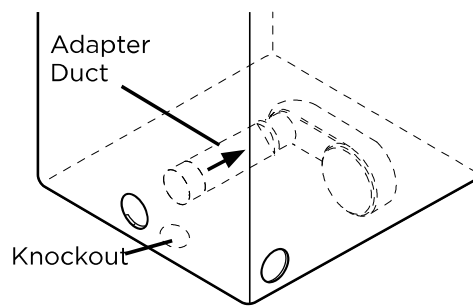


3. Preassemble a 4 inches (10.2cm) elbow to the next 4 inches (10.2cm) duct section, and secure all joints with duct tape. Be sure that the male end of the elbow faces AWAY from the dryer. Insert the elbow/duct assembly through the side opening and press it onto the adapter duct. Secure in place with duct tape. Be sure that the male end of the duct protrudes 1.5 inches (3.8cm) to connect the remaining ductwork. Duct tape the knockout removed to the opening in the back of the dryer.

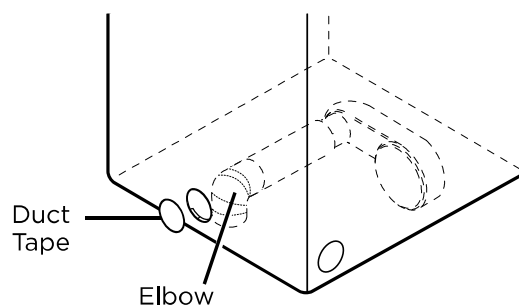


### Option 2: Bottom venting

2. Press the tabs on the knockout and carefully remove the knockout for the desired vent opening. Press the adapter duct onto the blower housing of the dryer as shown.

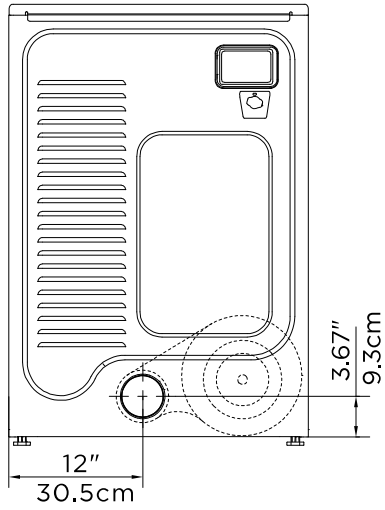


3. Insert the 4 inches (10.2cm) elbow through the rear opening and press it onto the adapter duct. Be sure that the male end of the elbow faces down through hole in the bottom of the dryer. Secure in place with duct tape. Duct tape the knockout removed to the opening in the back of the dryer.

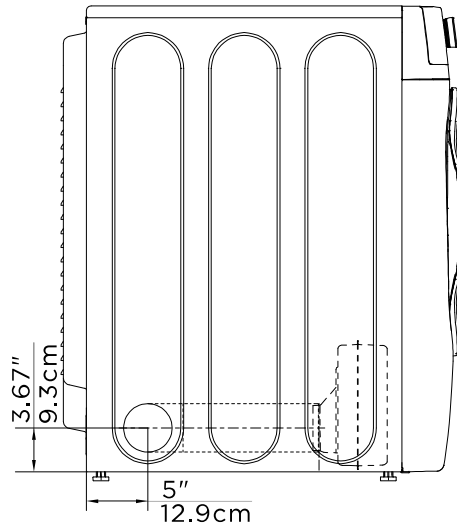
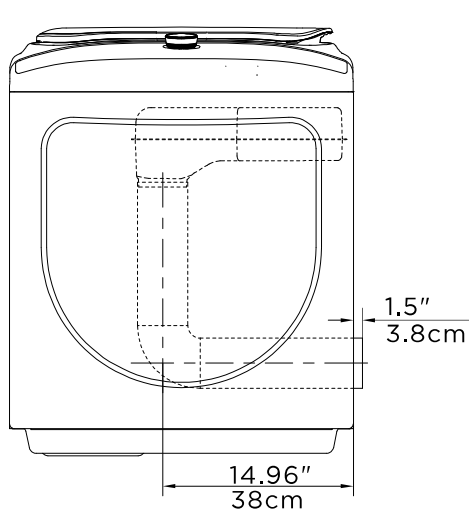


## Dimensions for installation

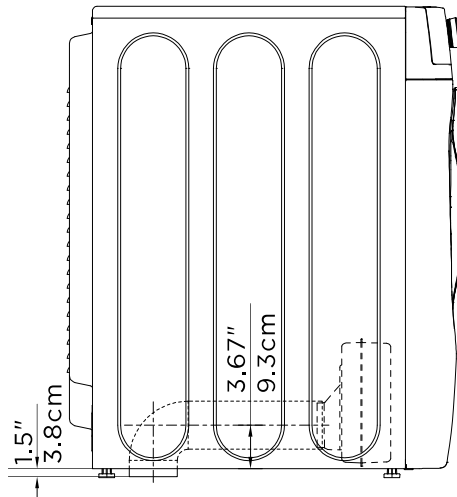
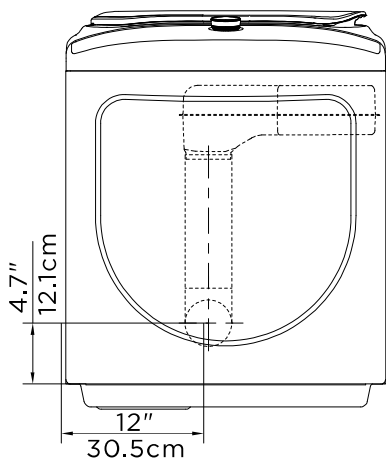
- Rear Venting (Default)



- Side Venting



- Bottom Venting

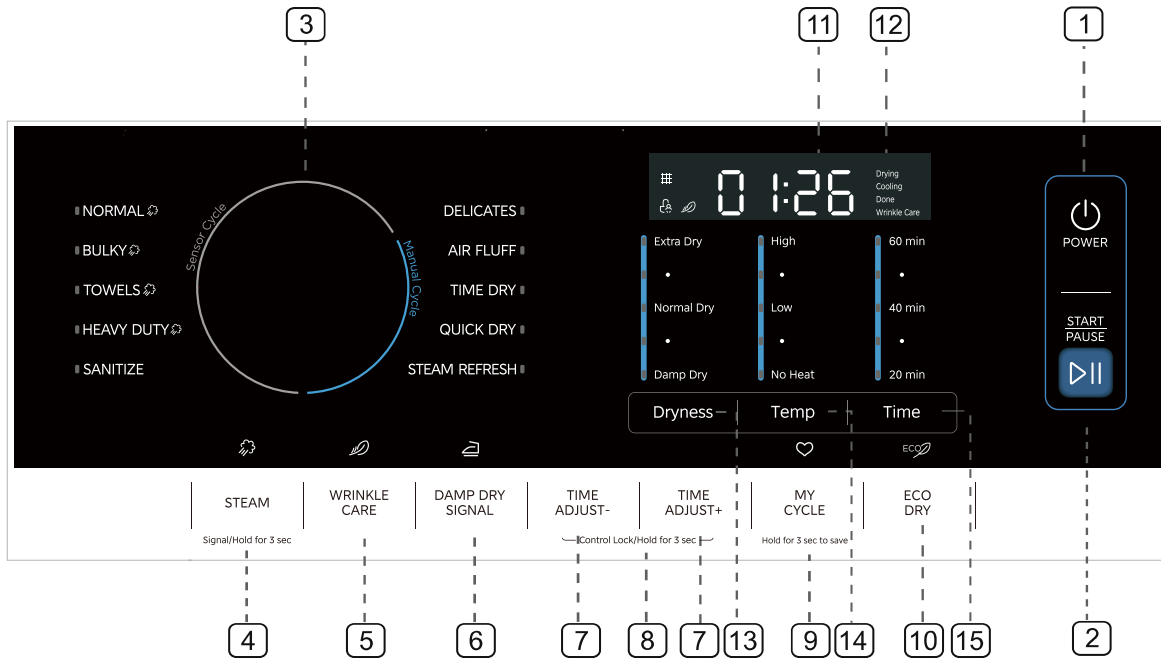


# DRYER USE

## CONTROL PANEL

### WARNING

To reduce the risk of fire, electric shock, or injury to persons, read the IMPORTANT SAFETY INSTRUCTIONS before operating the appliance.



### 1 POWER

Press to turn your dryer on or off. If your dryer is on for more than 10 minutes without any buttons being pressed, it automatically turns off.

### 2 START/PAUSE

Press to START or PAUSE the program.

### 3 CYCLE SELECTOR

Select your desired cycle for the type of load.

The cycle you select determines the heat control for the cycle.

The NORMAL, DELICATES, BULKY, TOWELS, HEAVY DUTY and SANITIZE cycles are Sensor Dry cycles.

The AIR FLUFF, TIME DRY, QUICK DRY and STEAM REFRESH are Manual Dry cycles.

4 STEAM

For STEAM cycles, it functions only after the laundry dryness level approaches NORMAL or above dryness.

5 WRINKLE CARE

Press once to add the WRINKLE CARE step into the operating program. Press again to cancel selection.

WRINKLE CARE provides approximately 90 minutes of intermittent tumbling in unheated air at the end of the cycle to reduce wrinkling. The load is already dry, and can be removed at any time during the WRINKLE CARE cycle.

6 DAMP DRY SIGNAL

This function is useful when you want to take some garments out for ironing. The unit will beep 6 times when the moisture in the clothes is good for ironing. At this time, you can take those garments out and continue drying the other by pressing the "START/PAUSE" button once.

**NOTE:** The unit will not stop operating if you don't take those garments out for ironing.

7 TIME ADJUST

These buttons are effective for Manual cycles, except for STEAM REFRESH. Push these buttons to change the drying time you prefer. Push repeatedly to get your desired drying time.

8 Control Lock

Press the "TIME ADJUST-" and "TIME ADJUST+" together to activate the Control Lock function. Press again for another 3 seconds to deactivate the function. All buttons except the "POWER" will be out of function when Control Lock is activated.

9 MY CYCLE

Press and hold for 3 seconds to remember your favorite drying cycle. Press once to load your favorite cycle setting.

10 ECO DRY

Press to select the ECO DRY cycle. This function will reduce the energy consumption by reducing drying temp but increasing operation time.

### 11 DIGITAL DISPLAY

This digital will display the time of cycle you are setting or remaining time of cycle operating.

### 12 CYCLE STATUS DISPLAY

The relative indicator graphic or text will be lit when the dryer is in its drying program, When the whole program is finished, the “Done” indicator graphic will flash to remind you to unload your laundry.

### 13 DRY LEVEL

Press the button to select the DRY LEVEL. Different DRY LEVEL will result in different drying time. For clothes to be ironed manually, a lower DRY LEVEL should be selected.

### 14 TIME TEMP

Press the button to select the drying temperature.

High - For sturdy cottons or those labeled Tumble Dry.

Medium - For permanent press, synthetics, lightweight cottons, or items labeled Tumble Dry Medium.

Low - For lower heat than Medium to dry synthetic or washable knit fabrics.

Ultra Low - For heat sensitive items labeled Tumble Dry Low or Tumble Dry Warm.

No Heat - Provides just the air cycle without any heat.

### 15 TIME DRY

This button is a quick selection for TIME DRY setting.


# DRYING A LOAD OF LAUNDRY

## 1. Power on your dryer.

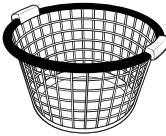


- Press this POWER button to power your dryer on.



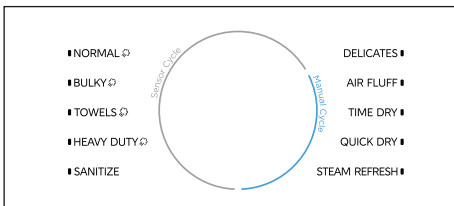
- The “” (Clean Filter) indicator graphic in the display will flash 10 times when your dryer is powered on.
- You should clean the filter before the dryer is loaded.

## 2. Load your dryer.



- Place only one wash load in your dryer at a time.
- Mixed loads of heavy and light weight fabrics will dry differently, which may result in lightweight fabrics being dry while heavy fabrics remain damp at the end of a drying cycle.
- Add one or more similar items to your dryer when only one or two articles of clothing need drying. This improves the tumbling action and drying efficiency.
- Overloading restricts tumbling action, resulting in uneven drying as well as excessive wrinkling of some fabrics.

## 3. Select the appropriate cycle and options for the load.



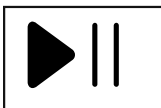
- Select the appropriate cycle by using the Cycle Selector according to the cycle chart on page 37.
- Select the appropriate optional function by using the buttons according to the chart on page 37.

**Note:** A Three beep means selection not available.



- **Your favorite drying Cycle**  
Once you have set the cycle selector and option function, you can push and hold the “MY CYCLE” button for 3 seconds to save this setting as your favorite cycle before starting the unit. The light beside the knob will flash to confirm setting was saved to memory with beeps.
- You can finish this Step by just pushing the “MY CYCLE” button once to use your favorite cycle or make some additional change.

## 4. Start your dryer.



Pressing START/PAUSE button will start the selected cycle. To PAUSE cycle press START/PAUSE button then open the door. To resume operation after closing the door always press START/PAUSE opening the door during the operation will instantly stop operation and will require to press START/PAUSE button to resume operation.

Cycle	Fabric type	DRY LEVEL	DRY TEMP	TIME DRY	STEAM	WRINKE CARE	DAMP DRY Signal	TIME ADJUST (-/+)	MY CYCLE	ECO DRY	Default time (Elec)	Default time (Gas)		
NORMAL	Cotton Under wear Linen	Extra Dry	Medium	N	Y	Y	Y	N	To memo rize recent progra mme	Y	62min	62min		
		More Dry												
		Normal Dry												
		Less Dry												
BULKY	Blankets Sheets Comforters	Extra Dry	Medium	N	Y	Y	Y	N		To memo rize recent progra mme	N	110min	120min	
		More Dry												
		Normal Dry												
		Less Dry												
TOWELS	Towels Heavy Cottons	Extra Dry	High	N	Y	Y	Y	N			To memo rize recent progra mme	N	56min	55min
		More Dry												
		Normal Dry												
		Less Dry												
HEAVY DUTY	Jeans Curduroys Work clothes	Extra Dry	High	N	Y	Y	Y	N	To memo rize recent progra mme			N	60min	54min
		More Dry												
		Normal Dry												
		Less Dry												
SANITIZE	Bedding Curtains	Extra Dry	High	N	N	Y	N	N		To memo rize recent progra mme		N	62min	62min
		More Dry												
		Normal Dry												
		Less Dry												
DELICATES	Sensitive items	Extra Dry	Low	N	N	Y	Y	N			To memo rize recent progra mme	N	30min	25min
		More Dry												
		Normal Dry												
		Less Dry												
AIR FLUFF		/	No Heat	Y	N	N	N	Y	To memo rize recent progra mme			N	20min	20min
TIME DRY		/	High	Y	N	Y	N	Y		To memo rize recent progra mme		N	40min	40min
			Medium											
			Low											
			Ultra Low											
QUICK DRY		/	High	Y	N	Y	N	Y			To memo rize recent progra mme	N	30min	30min
			Medium											
			Low											
			Ultra Low											
STEAM REFRESH		/	Medium	N	Must	N	N	N				N	15min	15min

\*Table in grey is an initial setting."Y" are all optional functions you can select.

\*For even better drying effect, please select higher dryness level.

\*To save energy, the default setting for NORMAL cycle is NORMAL+Medium+NORMAL Dry+ECO DRY. If you have a large quantity of clothing, and want a faster drying speed, you can press "ECO DRY" once to cancel this option.

\*FOLLOW GARMENTS LABELS REQUIREMENTS.

## 5. Unloading your laundry.



- After the cycle is done, the “Done” indicator graphic will flash, and the dryer will beep 6 times.

### CONTROL LOCK



Your dryer has a Control Lock feature to prevent children from playing with your dryer. When you turn on the Control Lock, the only button that works is **POWER**.

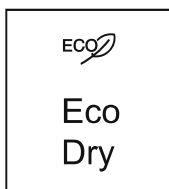
- You can turn on your dryer, set this function, then turn it off.
- When you do so, even if the unit is powered on, you still cannot start it before the Control Lock function is deactivated.
- This function will not be cancelled if your unit loses power, such as when you unplug it or the power turns off.

Press and hold both the “**TIME ADJUST +**” and “**TIME ADJUST -**” buttons for three seconds.

The Control Lock icon turns on.

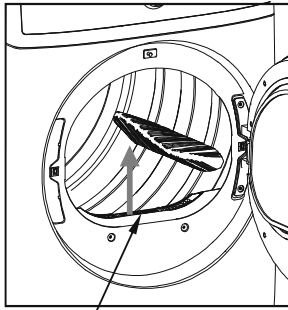
To turn off the Control Lock, press and hold both the “**TIME ADJUST +**” and “**TIME ADJUST -**” buttons for three seconds.

### ECO DRY



- This function will reduce the energy consumption by reducing drying temp but increasing operation time.

## FILTER CLEAN



Lint filter

To prevent a risk of fire, make sure to clean the lint filter before or after every load.

- To shorten drying time.
- To operate more energy efficiently.

### **!** CAUTION

- Do not operate your dryer without the lint filter in place.
- Do not use a damage or broken lint filter. This may reduce performance and/or cause fire.

## USING THE DRYING RACK

Use manual cycles for the occasional damp load that needs a little more drying time or when using the drying rack.

If you don't have a drying rack (#12138200003542) for this dryer but want one, contact the dealer where you purchased your dryer or MIDEA customer care center at 1-888-365-2230.

Remove and discard any packing material before use. Keep the instruction for reference. Use the Drying Rack for items that you do not want to tumble dry, such as sweaters and tennis shoes. When you use the drying rack, the drum continues to turn, but the rack remains stationary.

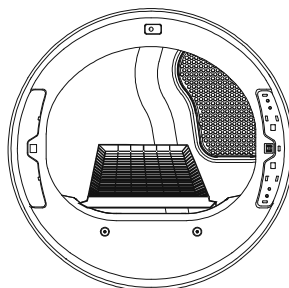
The rack is designed for use with manual cycles only, not sensor cycles.

### To use the drying rack:

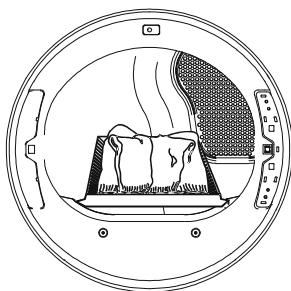
### **!** CAUTION

- Do not remove the lint screen.

1. Open dryer door.



- Align the two hooks on the front of the drying rack with the holes in the dryer door opening and press down fully into holes. Rest the rear support on the dryer back ledge.



- Place wet items on top of the drying rack. Allow space around items for air to circulate. The drying rack does not move, but the drum will rotate; be sure to leave adequate clearance between items and the inside of the dryer drum. Make sure items do not hang over the edges or between drying rack grille.
- Close the door.
- Select **Time Dry**. Select the **No Heat, Low** or **Ultra Low** Temp setting. Items containing foam, rubber, or plastic must be dried on a clothesline or by using the No Heat temp setting.
- When the cycle is selected, the Estimated Time Remaining display shows the default time. You can change the actual time in the cycle by increasing or decreasing the cycle time.
- Press START/PAUSE.

**NOTE:** Check the lint screen and remove any lint accumulated from items dried on the drying rack after the cycle is finished.

## SPECIAL LAUNDRY TIPS

Please follow the care label or manufacturer's instructions for drying special items. If care label instructions are not available, use the following information as a guide.

Items	Drying guide
<b>Bedspreads &amp; Comforters</b>	<ul style="list-style-type: none"> <li>Follow the care label instructions or dry in Bulky cycle.</li> <li>Make sure the item is thoroughly dry before using or storing.</li> <li>May require repositioning to ensure even drying.</li> </ul>
<b>Blankets</b>	<ul style="list-style-type: none"> <li>Use the Normal cycle and dry only one blanket at a time for best tumbling action.</li> <li>Make sure the item is thoroughly dry before using or storing.</li> <li>May require repositioning to ensure even drying.</li> </ul>

Items	Drying guide
<b>Curtains &amp; Draperies</b>	<ul style="list-style-type: none"> <li>• Use the Casual cycle, medium temperature and less dry to help minimize wrinkling.</li> <li>• Dry these in small loads for best results and remove as soon as possible.</li> </ul>
<b>Cloth Diapers</b>	<ul style="list-style-type: none"> <li>• Use the Normal cycle on High temperature for soft fluffy diapers.</li> </ul>
<b>Down Filled Items (jackets, sleeping bags, comforters, etc.)</b>	<ul style="list-style-type: none"> <li>• Use the Normal cycle on medium temperature.</li> <li>• Add a couple of dry towels to shorten drying time and absorb moisture.</li> </ul>
<b>Foam Rubber (rug backs, stuffed toys, shoulder pads, etc.)</b>	<ul style="list-style-type: none"> <li>• DO NOT dry on a heat setting. Use the Air Fluff cycle (no heat).</li> </ul> <p><b>WARNING:</b> Drying a rubber item with heat may damage it or create a fire hazard.</p>
<b>Pillows</b>	<ul style="list-style-type: none"> <li>• Use the Normal cycle.</li> <li>• Add a couple of dry towels and a pair of clean sneakers to help the tumbling action and to fluff the item.</li> </ul> <p>DO NOT dry kapok or foam pillows in the dryer. You can dry these items in the dryer as long as you use the air fluff cycle.</p>
<b>Plastics (shower curtains, outdoor furniture covers, etc.)</b>	<ul style="list-style-type: none"> <li>• Use the Air fluff cycle or the Time Dry cycle on the Low or Ultra Low temperature setting depending on the care label instructions.</li> </ul>

Items NOT to dry:

- Fiberglass items (curtains, draperies, etc.)
- Woolens, unless recommended on the label.
- Items spotted or soaked with vegetable or cooking oils.

Dryer Safety

Operation Requirements

Parts and Features

Installation Instructions

**Dryer Use**

Dryer Care

Troubleshooting

Appendix

# DRYER CARE

## WARNING

- Certain internal parts are intentionally not grounded and may present a risk of electric shock only during servicing. Service Personnel – Do not contact the following parts while the appliance is energized: inlet valve, control board and temperature-regulating thermistor (located on blower housing).

## CLEANING AND MAINTENANCE

### CONTROL PANEL

- Clean with a soft, damp cloth. Do not use abrasive substances.
- Do not spray cleaners directly on the panel.
- The control panel finish may be damaged by some laundry pre-treatment soil and stain remover products. Apply such products away from your dryer and wipe up any spills or overspray immediately.

### STAINLESS STEEL OR ANODIZED DRUM

- To clean the stainless steel or anodized drum, use a damp cloth with a mild, non-abrasive cleaner suitable for stainless steel and anodized surfaces.
- Remove the cleaner residue and dry with a clean cloth.

### DRYER EXTERIOR

- Clean with a soft, damp cloth. Do not use abrasive substances.
- Protect the surface from sharp objects.
- Do not place any heavy or sharp objects or a detergent box on the dryer. Keep them on the purchased pedestal or in a separate storage box. This may scratch or damage the top cover of the dryer.
- Since the entire dryer has a high-gloss finish, the surface can be scratched or damaged.
- Avoid scratching or damaging the surface when using the dryer.

### DRYER EXHAUST SYSTEM

- Should be inspected and cleaned yearly to maintain optimum performance.
- Disconnect the exhaust duct from the dryer and from the exhaust hood (at the exhaust outlet) outside of the building.
- Check the interior of the duct and remove any lint accumulation.
- Be sure that lint is removed from the exhaust hood. Lint may collect in the exhaust hood so that the flappers or louvers will not open or close completely.

- After cleaning the exhaust hood, check that the flapper or louvers move freely.
- Reassemble the exhaust duct and hood, checking that the joints are secure and sealed.
- Operate the dryer and verify that the exhaust air is not obstructed in the vent and that there are no leaks in the system.
- The outside exhaust hood should be cleaned more frequently to ensure proper operation.

## TROUBLESHOOTING

### CHECK THESE SOLUTIONS IF YOUR DRYER...

If your dryer has any problems as followings, you can check as the solutions listed below before making a service call. This will help you save time and money.

Problem	Solution
<b>The unit doesn't start.</b>	<ul style="list-style-type: none"> <li>● Make sure the door is latched shut.</li> <li>● Be sure the power cord is plugged into a live electrical outlet.</li> <li>● Check the home's circuit breaker and fuses.</li> <li>● Press the Start/Pause button again if the door is opened during the cycle.</li> </ul>
<b>The unit doesn't heat.</b>	<ul style="list-style-type: none"> <li>● Check the home's circuit breaker and fuses.</li> <li>● Select a heat setting other than Air fluff and the Temp selection is not on "No heat"</li> <li>● On a gas dryer, check that the gas supply is on.</li> <li>● Clean the lint filter and exhaust duct.</li> <li>● Dryer may have moved into the cool-down process of the cycle.</li> </ul>
<b>Doesn't dry.</b>	<ul style="list-style-type: none"> <li>● Check all of the above, plus...</li> <li>● Be sure the exhaust hood outside the home can open and close freely.</li> <li>● Check exhaust system for lint buildup. Ducting should be inspected and cleaned annually.</li> <li>● Use a 4" rigid metal exhaust duct.</li> <li>● Do not overload. 1 wash load = 1 dry load.</li> <li>● Sort heavy items from lightweight items.</li> <li>● Large, bulky items like blankets or comforters may require repositioning to ensure even drying.</li> <li>● Load may be too small to tumble properly. Add a few towels.</li> </ul>

Problem	Solution
<b>The unit is noisy.</b>	<ul style="list-style-type: none"> <li>• Check the load for objects such as coins, loose buttons, nails, broken zips, etc. Remove promptly.</li> <li>• It is normal to hear the dryer gas valve or heating element cycle on and off during the drying cycle.</li> <li>• Be sure the dryer is leveled properly as outlined in the installation instruction.</li> <li>• It is normal for the dryer to hum due to the high velocity of air moving through the dryer drum and exhaust system.</li> </ul>
<b>Clothes are unevenly dried.</b>	<ul style="list-style-type: none"> <li>• Seams, pockets, and other similarly heavy areas may not be completely dry when the rest of the load has reached the selected dryness level. This is normal. Select the Extra Dry setting if desired.</li> <li>• If one heavy item is dried with a lightweight load, such as one towel with sheets, it is possible that the heavy item will not be completely dry when the rest of the load has reached the selected dryness level. Sort heavy items from lightweight items for best drying results.</li> </ul>
<b>Shuts off before load is dry.</b>	<ul style="list-style-type: none"> <li>• Dryer load is too small. Add more items or a few towels and restart the cycle.</li> <li>• Dryer load is too large. Remove some items and restart the dryer.</li> </ul>
<b>The unit has a special odor.</b>	<ul style="list-style-type: none"> <li>• Household odors from painting, varnishing, strong cleaners, etc. may enter the dryer with surrounding room air. This is normal as the dryer draws the air from surrounding air space of the dryer locations.</li> <li>• When these odors linger in the air, ventilate the room completely before using the dryer.</li> </ul>
<b>Odors remain in clothing after refresh</b>	<ul style="list-style-type: none"> <li>• Fabrics containing strong odors should be washed utilizing desired wash cycle.</li> </ul>
<b>Garments still wrinkled after Wrinkle-prevent</b>	<ul style="list-style-type: none"> <li>• Small loads of 1 to 4 items work best.</li> <li>• Load fewer garments. Load similar-type garments.</li> </ul>
<b>Lint on clothes</b>	<ul style="list-style-type: none"> <li>• Clean lint filter before every cycle.</li> <li>• Some fabrics are lint producers (for example, a fuzzy white cotton towel) and they should be dried separately from clothes that are lint trappers (for example, a pair of black linen pants).</li> <li>• Divide larger loads into smaller loads for drying.</li> <li>• Check pockets thoroughly before washing and drying clothes.</li> </ul>

## ERROR CODES

Error Code	Possible Cause	Solutions
E3	The PCB failed.	Call the service center for help do not use dryer.
E4	The humidity sensor failed.	The unit will complete the current operating cycle but garments could be over dried. The unit can still operate under the Time Cycles. Call the service center for help.
E5	The temperature sensor failed.	Call the service center for help do not use dryer.

Dryer  
Safety

Operation  
Requirements

Parts and  
Features

Installation  
Instructions

Dryer Use

Dryer Care




































**Troubleshooting**

Appendix

# APPENDIX

## FABRIC CARE CHART

The following symbols provide garment care direction. The Clothing care labels include symbols for washing, bleaching, drying and ironing, or dry cleaning when necessary. The use of symbols ensures consistency among garment manufacturers of domestic and imported items. Follow care label directions to maximize garment life and reduce laundering problems.

Wash Cycle		Special Instructions		Warning Symbols for Laundering	
	Normal		Line Dry/Hang to Dry		Do Not Wash
	Permanent Press / Wrinkle Resistant / Wrinkle Control		Drip Dry		Do Not Wring
	Gentle/Delicates		Dry Flat		Do Not Bleach
	Hand Wash	Heat Setting			Do Not Tumble Dry
Water Temperature**			High		No Steam (added to iron)
	Hot		Medium		Do Not Iron
	Warm		Low	Dryclean	
	Cold		Any Heat		Dry Clean
Bleach			No Heat/Air		Do Not Dry Clean
	Any Bleach (when needed)	Iron-Dry or Steam Temperatures			Line Dry/ Hang to Dry
	Only Non-Chlorine (color-safe) Bleach (when needed)		High		Drip Dry
	Tumble Dry Cycle		Medium		Dry Flat
Normal			Low		
	Permanent Press / Wrinkle Resistant / Wrinkle Control		For machine-washable wool. Loads should be under 8 pounds.		
	Gentle/ Delicates				

\*\*The number of dots represent appropriate wash water temperatures for various items. The temperature range for Hot is 105-125°F/41-52°C, for Warm 85-105°F/29-41°C and for Cold 60-85°F/16-29°C.



## 2-YEAR LIMITED WARRANTY

This warranty is provided to the original purchaser at retail (the "Purchaser" or "you") by Midea America (Canada) Corp. ("Midea" or "we"), which warrants all parts of this Product, as described below. Midea warrants this Product to the Purchaser for personal, family or household use. This warranty covers performance and quality issues in materials and workmanship that appear under normal use and maintenance appearing within two years from the date of purchase. This warranty gives you specific rights, and you may also have other rights that vary from state to state.

### WARRANTY LIMITATIONS

This warranty is given only to the original purchaser at retail in either the United States or Canada and may not be transferred to any subsequent buyer. This warranty does not apply to purchasers of our products for use or resale in a business; a separate commercial warranty may protect those purchasers.

This warranty does not cover any Product failure caused by:

- (a) Abuse, damage or use of the Product in violation of the Product instructions.
- (b) Modification to any Product or part.
- (c) Failure to maintain the Product or part as described in accordance with the Product instructions.
- (d) Faulty installation or application.
- (e) Use of parts or accessories not compatible with this Product.
- (f) Floods, fires, winds, lightning, accidents, corrosive atmosphere, or other conditions beyond Midea's control.
- (g) Interruption in electrical service or inadequate electrical service.
- (h) Replacement of fuses and replacement or resetting of circuit breakers.
- (i) Frozen or broken water pipes, water damage, moisture intrusion, mold or other biological growth.
- (j) The use, combination or linking of the Product to other products, processes or materials not provided by Midea.

### WARRANTY REMEDY

If any quality or performance issue covered by this warranty is discovered during the warranty period, we will, at our option, repair or replace any such Product. This warranty is limited to Product repair or replacement by an authorized Midea servicer or dealer and does not cover any shipping cost, labor cost, customs duties, inland logistics cost, or cost of service, including any diagnostics, removal, transportation, or reinstallation costs. If we ask, you must return the Product to us.

### WARRANTY DISCLAIMER; EXCLUSION OF DAMAGES

This is the only express warranty to consumers that we offer on our Products. **ANY IMPLIED WARRANTIES BY MIDEA, INCLUDING BUT NOT LIMITED TO WARRANTIES OF MERCHANTABILITY AND FITNESS FOR PARTICULAR PURPOSE, ARE LIMITED TO THE DURATION OF THIS EXPRESS WARRANTY.** Some states and provinces do not allow the exclusion of express warranties and/or limitations on how long an implied warranty lasts, so the above exclusion and/or limitation may not apply to you.

**THE REMEDY DESCRIBED ABOVE IS THE ONLY ONE THAT WE WILL PROVIDE, EITHER UNDER THIS WARRANTY OR UNDER ANY WARRANTY ARISING BY OPERATION OF LAW. WE WILL NOT BE RESPONSIBLE FOR ANY CONSEQUENTIAL OR INCIDENTAL DAMAGES ARISING FROM THE BREACH OF THIS WARRANTY OR ANY OTHER WARRANTY, WHETHER EXPRESS OR IMPLIED, NEGLIGENCE OR OTHER TORT, OR ON ANY STRICT LIABILITY THEORY, INCLUDING BUT NOT LIMITED TO LOST PROFITS.** Some states do not allow the exclusion or limitation of incidental or consequential damages, so the above exclusion may not apply to you.



## WARRANTY CLAIMS PROCESS

For more information or to make a warranty claim, please visit:

<https://www.midea.com/ca/support>

Or contact us at:

Telephone: 1-888-365-2230

Email: [CanadaSupport@midea.com](mailto:CanadaSupport@midea.com)

You must have Your bill of sale, delivery slip, or appropriate proof of purchase to submit a warranty claim. The date of purchase establishes the warranty period, should service be required.

## DISPUTE RESOLUTION

### **ARBITRATION CLAUSE. IMPORTANT. PLEASE REVIEW THIS ARBITRATION CLAUSE. IT AFFECTS YOUR LEGAL RIGHTS.**

- (a) *Parties*: This arbitration clause (this "Arbitration Clause") affects your rights against Midea and any of its affiliates or employees or agents, successors, or assigns, all of whom together are referred to below as "we" or "us" for ease of reference.
- (b) **ARBITRATION REQUIREMENT: EXCEPT AS STATED BELOW, ANY DISPUTE BETWEEN YOU AND ANY OF US SHALL BE DECIDED BY NEUTRAL, BINDING ARBITRATION RATHER THAN IN COURT OR BY JURY TRIAL.** "Dispute" will be given the broadest possible meaning allowable by law. It includes any dispute, claim, or controversy arising from or relating to your purchase of this Product, any warranty upon the Product, or the Product's condition. It also includes determination of the scope or applicability of this Arbitration Clause. The arbitration requirement applies to claims in contract and tort, pursuant to statute, or otherwise.
- (c) **CLASS-ARBITRATION WAIVER: ARBITRATION IS HANDLED ON AN INDIVIDUAL BASIS. IF A DISPUTE IS ARBITRATED, YOU AND WE EXPRESSLY WAIVE ANY RIGHT TO PARTICIPATE AS A CLASS REPRESENTATIVE OR CLASS MEMBER ON ANY CLASS CLAIM YOU MAY HAVE AGAINST US OR WE AGAINST YOU, OR AS A PRIVATE ATTORNEY GENERAL OR IN ANY OTHER REPRESENTATIVE CAPACITY, TO THE MAXIMUM EXTENT PERMITTED BY LAW. YOU AND WE ALSO WAIVE ANY RIGHT TO CLASS ARBITRATION OR ANY CONSOLIDATION OF INDIVIDUAL ARBITRATIONS.**
- (d) *Discovery and Other Rights*: Discovery and rights to appeal in arbitration are generally more limited than in a lawsuit. This applies to both you and us. Other rights that you or we would have in court may not be available in arbitration. Please read this Arbitration Clause and consult the rules of the arbitration organizations listed below for more information.
- (e) **SMALL CLAIMS COURT OPTION: YOU MAY CHOOSE TO LITIGATE ANY DISPUTE BETWEEN YOU AND ANY OF US IN SMALL CLAIMS COURT, RATHER THAN IN ARBITRATION, IF THE DISPUTE MEETS ALL REQUIREMENTS TO BE HEARD IN SMALL CLAIMS COURT.**
- (f) *Governing Law*: For residents of the United States, the procedures and effect of the arbitration will be governed by the Federal Arbitration Act (9 U.S.C. § 1 et seq.) rather than by state law concerning arbitration. For residents of Canada, the procedures and effect of the arbitration will be governed by the applicable arbitration law of the province in which you purchased your Product. The law governing your substantive warranty rights and other claims will be the law of the state or province in which you purchased your Product. Any court having jurisdiction may enter judgment on the arbitration award.

- (g) *Rules of the Arbitration:* If the amount in controversy is less than \$250,000, the arbitration will be decided by a single arbitrator. If the amount in controversy is greater than or equal to \$250,000, the arbitration will be decided by a panel of three arbitrators. The arbitrator(s) will be chosen pursuant to the rules of the administering arbitration organization. United States residents may choose JAMS (1920 Main Street, Ste. 300, Irvine, CA 92614, [www.jamsadr.com](http://www.jamsadr.com)), or, subject to our approval, any other arbitration organization. In addition, Canadian residents may choose the ADR Institute of Canada (234 Eglinton Ave. East, Suite 405, Toronto, Ontario, M4P 1K5, [www.amic.org](http://www.amic.org)). These organizations' rules can be obtained by contacting the organization or visiting its website. If the chosen arbitration organization's rules conflict with this Arbitration Clause, the provisions of this Arbitration Clause control. The award of the arbitrator(s) shall be final and binding on all parties.
- (h) *Location of the Arbitration Hearing:* Unless applicable law provides otherwise, the arbitration hearing for United States residents will be conducted in the federal judicial district in which you reside (in your hometown area) or, for Canadian residents, in the province in which you reside, and, if you choose, will be in-person.
- (i) *Costs of the Arbitration:* Each party is responsible for its own attorney, expert, and other costs and fees unless applicable law requires otherwise. Notwithstanding the preceding sentence, and unless applicable law requires otherwise, if you are a consumer under the JAMS rules or the rules of another agreed upon arbitration administrator, Midea will pay or reimburse you for all reasonable fees or costs to the extent required by law or the applicable arbitration administrator's rules. Whether or not required by law or such rules, if you prevail at arbitration on any claim against Midea, Midea will reimburse you for any reasonable fees paid to the arbitration administrator in connection with the arbitration proceedings. Under no circumstances will Midea seek from you payment or reimbursement of any reasonable fees that Midea incurs in connection with the arbitration. If you are required to advance any fees or costs to JAMS or other agreed upon arbitration administrator, but you ask Midea to do so in your stead, Midea will consider and respond to your request.
- (j) *Survival and Enforceability of this Arbitration Clause:* This Arbitration Clause shall survive the expiration or termination, or any transfer, of the warranty on your Product. If any part of this Arbitration Clause, except waivers of class-action rights, is found to be unenforceable for any reason, the remainder of this clause and the warranty shall remain enforceable. If, in a case in which class-action allegations have been made, the waiver of class-action rights under this warranty is found to be unenforceable with respect to any part of the dispute, the parts of the dispute as to which the waiver of class-action rights have been found unenforceable will be severed and will proceed in court without reference or application of this Arbitration Clause. Any remaining parts will proceed in arbitration.

## QUEBEC RESIDENTS

The arbitration provisions of this warranty shall not apply to residents of Quebec





fr

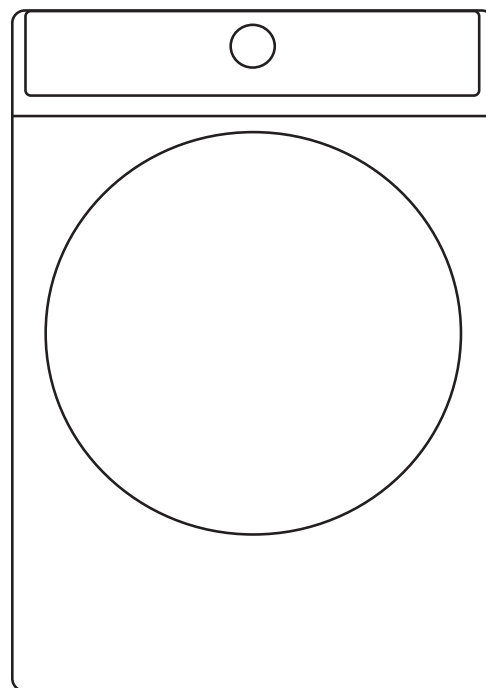
## Sécurité

Alimentation électrique :  
120/240V~(E)  
Fréquence : 60Hz  
Capacité : 8.0 pi<sup>3</sup>

Avertissement :  
Avant d'utiliser ce produit,  
veuillez lire le présent manuel  
attentivement et le conserver  
pour consultation ultérieure. La  
conception et les spécifications  
peuvent être modifiées sans  
préavis en vue d'une amélioration  
du produit. Veuillez communiquer  
avec votre détaillant ou fabricant  
pour obtenir plus de détails.

version A - 1

# MANUEL D'UTILISATION ET INSTRUCTIONS D'INSTALLATION



NUMÉROS DE MODÈLE  
MLHE52S7AWW  
MLHE52S7AGG  
[www.midea/ca](http://www.midea/ca)

# Cher utilisateur,

---

**MERCI et FÉLICITATIONS** pour l'achat de ce produit Midea de haute qualité. Votre sècheuse Midea est conçue pour offrir des performances et une fiabilité exceptionnelles. Veuillez prendre quelques minutes pour enregistrer votre nouvelle sècheuse.

Veuillez enregistrer votre nouvelle sècheuse sur le site **www.midea.com** sous l'onglet Support (Soutien).

Pour référence future, notez votre modèle de produit et les numéros de série, qui se trouvent dans le châssis intérieur de la sècheuse.

Numéro de modèle \_\_\_\_\_

Numéro de série \_\_\_\_\_

<b>SÉCURITÉ DE LA SÈCHEUSE .....</b>	<b>4</b>
<b>EXIGENCES DE FONCTIONNEMENT .....</b>	<b>8</b>
À l'intention de l'installateur .....	8
Exigences de base .....	9
Exigences relatives à l'emplacement.....	9
Exigences relatives aux conduits .....	13
Exigences d'évacuation .....	15
Exigences en matière de gaz.....	15
Exigences électriques.....	17
Mise à la terre.....	19
<b>COMPOSANTES ET CARACTÉRISTIQUES .....</b>	<b>20</b>
Pièces de rechange et accessoires.....	20
<b>INSTRUCTIONS D'INSTALLATION .....</b>	<b>21</b>
Sortir la sècheuse de son emballage.....	21
Outils requis.....	21
Sélection de l'emplacement approprié.....	22
Installation du système d'évacuation.....	22
Raccordement de la conduite de gaz (pour les modèles au gaz) .....	24
Raccordement des câbles électriques .....	25
Mise à niveau de la sècheuse.....	28
Mise sous tension .....	28

Vérification finale.....	28
Procédure d'inversion de porte .....	29
Changer l'emplacement de l'évacuation d'air de la sècheuse.....	30
<b>UTILISATION DE LA SÈCHEUSE.....</b>	<b>33</b>
Panneau de commande .....	33
Séchage d'une brassée de lessive .....	36
Conseils particuliers pour la lessive .....	40
<b>ENTRETIEN DE LA SÈCHEUSE .....</b>	<b>42</b>
Nettoyage et entretien.....	42
<b>DÉPANNAGE .....</b>	<b>43</b>
Vérifiez ces solutions si votre sècheuse .....	43
Codes d'erreur .....	45
<b>ANNEXE .....</b>	<b>46</b>
Tableau des symboles textiles.....	46
<b>GARANTIE .....</b>	<b>47</b>

## LISEZ ET CONSERVEZ CES INSTRUCTIONS EN VUE D'UNE CONSULTATION FUTURE

Ce manuel contient des renseignements importants sur l'installation, l'utilisation et l'entretien de votre appareil. Veuillez lire ce manuel attentivement avant l'installation et l'utilisation de cette machine pour éviter les blessures et les dommages matériels.

Les avertissements et les consignes de sécurité importantes contenus dans le présent manuel NE COUVRENT PAS de façon exhaustive toutes les situations possibles. Il est de votre responsabilité de faire appel à votre bon sens et de faire preuve de prudence et de minutie lors de l'installation, de l'entretien et de l'utilisation de votre sècheuse.

# SÉCURITÉ DE LA SÈCHEUSE

VOTRE SÉCURITÉ ET LA SÉCURITÉ DES AUTRES SONT TRÈS IMPORTANTES

Pour éviter que les utilisateurs ou d'autres personnes se blessent ou pour prévenir les dommages matériels, les instructions contenues dans le présent document doivent être respectées. Une mauvaise utilisation en raison du non-respect des instructions pourrait causer un préjudice ou des dommages, y compris le décès.

Le niveau de risque est indiqué par les symboles suivants.



AVERTISSEMENT

Ce symbole indique un risque de blessure grave ou mortelle.



MISE EN GARDE

Ce symbole indique un risque de blessure ou de dommage matériel.



AVERTISSEMENT

Ce symbole indique la présence potentielle d'une tension dangereuse constituant un risque de décharge électrique qui pourrait entraîner la mort ou des blessures graves.



## AVERTISSEMENT

Pour votre sécurité, les indications de ce manuel doivent être respectées afin de minimiser le risque d'incendie ou d'explosion, ou pour prévenir les dommages matériels, les blessures corporelles ou la mort.

- Ne pas entreposer ni utiliser d'essence ni d'autres vapeurs et liquides inflammables près de cet appareil ou de tout autre appareil.
- L'installation et la réparation doivent être effectuées par un installateur ou une agence d'entretien qualifié, ou le fournisseur de gaz.



## AVERTISSEMENT

### Risque d'incendie



- Ne pas suivre précisément les consignes de sécurité pourrait entraîner des blessures graves, la mort ou des dommages matériels.
- N'installez pas de ventilateur auxiliaire dans le conduit d'évacuation.
- Installez toutes les sècheuses conformément aux instructions d'installation du fabricant de la sècheuse.



## AVERTISSEMENT

### Quoi faire s'il y a une odeur de gaz :

- N'allumez aucun appareil.
- Ne touchez à aucun interrupteur électrique ; n'utilisez aucun téléphone se trouvant dans le bâtiment.
- Faites sortir tout occupant de la pièce, de l'édifice ou de la zone.
- Appelez immédiatement votre fournisseur de gaz depuis le téléphone d'un voisin. Suivez les instructions du fournisseur de gaz.
- S'il est impossible de joindre le fournisseur de gaz, appeler le service d'incendie.

## INSTRUCTIONS DE SÉCURITÉ IMPORTANTES



## AVERTISSEMENT

Pour réduire le risque d'incendie, de choc électrique ou de blessure lors de l'utilisation de votre appareil, suivez les précautions de base, y compris ce qui suit :

- Lisez toutes les instructions avant d'utiliser l'appareil.
- Utilisez cet appareil uniquement pour l'usage auquel il est destiné, comme décrit dans ce manuel d'utilisation.
- Avant son utilisation, la sècheuse doit être correctement installée, comme décrit dans ce manuel.
- Suivez TOUJOURS les instructions d'entretien du tissu fournies par le fabricant de vêtements.
- NE séchez PAS d'articles qui ont été nettoyés, lavés, trempés ou tachés avec de l'essence, du solvant pour nettoyage à sec ou d'autres produits combustibles ou substances explosives, car ces derniers peuvent dégager des vapeurs qui pourraient s'enflammer ou exploser.
- N'utilisez pas la sècheuse pour sécher des vêtements qui contiennent des traces d'une quelconque substance inflammable, comme de l'huile végétale, de l'huile de cuisson, de l'huile de machine, de substances chimiques inflammables, de diluant, etc., ou de tout autre produit contenant de la cire ou des produits chimiques, comme des vadrouilles et des vêtements de nettoyage. Les substances inflammables pourraient provoquer une combustion spontanée du tissu.
- N'entreposez pas et n'utilisez pas d'essence ni d'autres vapeurs et liquides inflammables près de cet appareil ou de tout autre appareil.
- Ne laissez pas les enfants jouer sur ou à l'intérieur de l'appareil. La présence d'enfants près de cet appareil lorsqu'il est en marche doit faire l'objet d'une étroite supervision.
- Avant de mettre l'appareil hors service ou au rebut, retirez le couvercle de la machine ou la porte du compartiment de séchage.
- Ne mettez pas vos mains dans l'appareil si le tambour est en mouvement.
- N'installez pas ou ne rangez pas cet appareil dans un endroit où il sera exposé aux intempéries ou à des températures de congélation inférieures à 0,5 °C (33°F).
- Ne modifiez pas les commandes et le verrou.
- N'installez pas de ventilateur auxiliaire dans le conduit d'évacuation.

- Ne réparez ou ne remplacez aucune pièce de l'appareil ou ne tentez aucune opération d'entretien à moins que cela ne soit spécifiquement recommandé dans les instructions – d'entretien ou des guides de réparation destinés à l'utilisateur que vous comprenez et que vous êtes capables d'exécuter.
- Gardez la zone qui se trouve sous et autour de vos appareils électroménagers dégagée de toutes matières combustibles (charpie, papier, chiffons, etc.), d'essence, de produits chimiques et d'autres vapeurs ou liquides inflammables.
- Ne placez pas d'articles exposés à des huiles de cuisson dans votre sècheuse. Les articles contaminés par les huiles de cuisson peuvent causer une réaction chimique susceptible d'enflammer les articles dans la sècheuse. Pour réduire le risque d'incendie causé par des brassées contaminées, la partie finale d'un cycle de séchage par culbutage se produit sans chaleur (période de refroidissement). Évitez d'arrêter un séchage par culbutage avant la fin du cycle de séchage à moins que tous les articles ne soient rapidement enlevés et étalés de manière à dissiper la chaleur.
- Fermez les robinets d'eau et débranchez la laveuse si la machine n'est pas utilisée pendant une période prolongée, comme pendant les vacances.
- Les matériaux d'emballage peuvent être dangereux pour les enfants. Ils font courir un risque de suffocation. Gardez tous les matériaux d'emballage hors de la portée des enfants.
- Vérifiez toujours s'il y a des objets inhabituels à l'intérieur de la sècheuse avant de mettre les vêtements. Gardez la porte fermée lorsqu'elle n'est pas utilisée.
- N'utilisez pas d'assouplissants ni de produits pour éliminer la statique à moins qu'ils soient recommandés par le fabricant de l'assouplissant ou du produit.
- **Nettoyez le filtre à charpie avant ou après chaque brassée.**
- Maintenez la zone autour de l'ouverture d'évacuation et les zones adjacentes libres de toute accumulation de charpie, de poussière et de saleté.
- L'intérieur de la sècheuse et le conduit d'évacuation doivent être nettoyés périodiquement par un agent d'entretien qualifié.
- Ne placez pas d'articles exposés à des huiles de cuisson dans votre sècheuse. Les articles contaminés par les huiles de cuisson peuvent causer une réaction chimique susceptible d'enflammer les articles dans la sècheuse.
- Cet appareil doit être mis à la terre. Voir «**Exigences électriques**» et «**Mise à la terre**» dans la section «**Exigences de fonctionnement**».
- Cet appareil doit être correctement mis à la terre. Ne branchez jamais le cordon d'alimentation dans une prise qui n'est pas bien mise à la terre et qui n'est pas conforme aux codes locaux et national. Consultez les instructions d'installation pour la mise à la terre de cet appareil.
- Assurez-vous que les poches ne comprennent pas de petits objets durs de formes irrégulières et de corps étrangers, c.-à-d. des pièces de monnaie, des couteaux, des épingles, etc. Ces objets pourraient endommager votre sècheuse.
- N'utilisez pas de chaleur pour sécher des articles contenant du caoutchouc mousse ou tout autre matériau ayant une texture semblable au caoutchouc.



## AVERTISSEMENT

### Pour réduire le risque d'incendie ou d'explosion

- Ne séchez pas d'articles qui ont été nettoyés, lavés, trempés ou tachés avec de l'essence, du solvant pour nettoyage à sec ou d'autres produits combustibles ou substances explosives. Ils dégagent des vapeurs qui pourraient s'enflammer ou exploser. Tout matériel qui a été en contact avec un solvant de nettoyage ou des liquides ou solides inflammables ne devrait pas être mis dans la sècheuse tant que les traces de ces liquides ou solides inflammables n'ont pas été éliminées.
- De nombreux produits hautement inflammables sont utilisés dans les résidences, comme l'acétone, l'alcool dénaturé, l'essence, le kérosène, certains nettoyants ménagers liquides, certains décapants de tache, la térébenthine, les cires et les décapants pour cire.
- N'utilisez pas le réglage de chaleur pour sécher des articles comportant du caoutchouc mousse (ces derniers pourraient être désignés sous le terme de mousse de latex) ou des matériaux ayant une texture semblable au caoutchouc. Les matériaux en caoutchouc mousse chauffés peuvent, dans certaines circonstances, s'enflammer spontanément.



## MISE EN GARDE

- Ne vous assoyez pas sur la sècheuse.
- En raison des améliorations continues du produit, Midea America se réserve le droit de modifier les spécifications sans préavis. Pour obtenir tous les détails, consultez les instructions d'installation jointes à votre produit avant de choisir des meubles de rangement, de faire du découpage ou de commencer l'installation.
- Ne séchez pas les vêtements présentant de grosses boucles, des boutons ou d'autres objets lourds ou solides en métal.
- Installez et utilisez conformément aux instructions du fabricant.
- Ne mettez jamais à la sècheuse des articles tachés d'huile végétale ou d'huile de cuisson ou qui ont été trempés dans ces huiles. Même après avoir été lavés, ces articles pourraient contenir des quantités importantes de ces huiles.
- L'huile résiduelle sur les vêtements peut s'enflammer spontanément. Le potentiel de combustion spontanée augmente lorsque des articles contenant de l'huile végétale ou de l'huile de cuisson sont exposés à la chaleur. La source de chaleur, par exemple votre sècheuse, pourrait réchauffer ces articles, entraînant une réaction d'oxydation dans l'huile.
- L'oxydation crée de la chaleur. Si cette chaleur ne peut pas être évacuée, les articles peuvent devenir suffisamment chauds pour s'enflammer. L'empilage ou l'entreposage de ces types d'articles peut empêcher la chaleur de s'échapper et créer un risque d'incendie.
- Veillez à ce que les doigts des enfants ne restent pas coincés dans la porte lorsque vous la fermez. Cela pourrait provoquer des blessures.
- Des fuites de gaz pourraient se produire dans votre système, entraînant des situations dangereuses.
- Les fuites de gaz peuvent ne pas être détectées seulement par l'odeur.
- Les fournisseurs de gaz recommandent l'achat et l'installation d'un détecteur de gaz conforme à la norme UL.

## Avertissements relatifs à la proposition 65 de l'état de la Californie :



**AVERTISSEMENT:** Peut causer le cancer et des effets nocifs sur la reproduction  
-[www.P65Warnings.ca.gov](http://www.P65Warnings.ca.gov).

# CONSERVEZ CES INSTRUCTIONS

CET APPAREIL EST DESTINÉ À UN USAGE DOMESTIQUE SEULEMENT

## EXIGENCES DE FONCTIONNEMENT



### AVERTISSEMENT



#### Risque d'incendie

- L'installation de la sècheuse doit être effectuée par un installateur qualifié.
- Installez la sècheuse conformément aux instructions du fabricant et aux règlements locaux.
- N'installez pas une sècheuse avec des matériaux d'évacuation en plastique flexible. Si un conduit en métal flexible (en feuilles) est installé, celui-ci doit être identifié par le fabricant de l'appareil comme étant convenable pour l'utilisation avec des sècheuses. Les matériaux d'évacuation flexibles sont réputés pour s'affaisser, pour s'écraser facilement et pour accumuler de la charpie. Ces conditions compromettent la circulation d'air de la sècheuse et augmentent le risque d'incendie.
- Pour réduire le risque de blessure grave ou de décès, suivez toutes les instructions d'installation..
- Conservez ces instructions.

## À L'INTENTION DE L'INSTALLATEUR

**Veillez lire attentivement les instructions suivantes avant d'installer la sècheuse.**

**Ces instructions devraient être conservées pour consultation ultérieure.**



### MISE EN GARDE

- La sècheuse n'est pas conçue pour être installée dans une maison mobile.
- Après avoir débranché le cordon d'alimentation, retirez la porte de tous les anciens appareils pour éviter tout risque qu'un enfant reste coincé à l'intérieur et suffoque.

# EXIGENCES DE BASE

**Assurez-vous d'avoir tout ce qui est nécessaire pour une installation adéquate.**

- **UNE PRISE DE COURANT AVEC MISE À LA TERRE est requise. Voir la section « Exigences électriques » .**
- **Une sècheuse électrique avec un CORDON D'ALIMENTATION (sauf pour le Canada).**
- **LES CONDUITES DE GAZ (s'il s'agit d'une sècheuse à gaz) doivent être conformes aux codes locaux et à la norme nationale.**
- **Le SYSTÈME D'ÉVACUATION doit être fait de métal rigide ou de métalflexible à parois rigides.**

## EXIGENCES RELATIVES À L'EMPLACEMENT

- 1.** La sècheuse devrait se trouver à un endroit où il y a suffisamment d'espace à l'avant pour remplir la sècheuse et assez d'espace à l'arrière pour le système d'évacuation.
- 2.** Cette sècheuse a été conçue en usine pour une évacuation vers l'arrière. Si vous souhaitez modifier l'emplacement de l'évacuation d'air, consultez la page 30 « Changer l'emplacement de l'évacuation d'air de la sècheuse ».
- 3.** Assurez-vous que la pièce dans laquelle se trouve la sècheuse dispose de suffisamment d'air frais. La sècheuse doit se trouver à un endroit où l'air peut passer librement. .  
La température ambiante ne doit pas être inférieure à 0,5 °C (33 °F).
- 4.** Pour les sècheuses à gaz, il faut maintenir un dégagement suffisant, comme indiqué sur la plaque signalétique, pour assurer un apport d'air adéquat pour la combustion et le bon fonctionnement de la sècheuse.
- 5.** La sècheuse ne doit pas être installée ou rangée dans un endroit où elle sera exposée à l'eau et/ou aux intempéries. La zone où se trouve la sècheuse ne doit pas comprendre de matériaux combustibles, d'essence et d'autres vapeurs et liquides inflammables. Une sècheuse produit de la charpie combustible. L'espace autour de la sècheuse ne devrait pas contenir de charpie.

## INSTALLATIONS DANS UNE ALCÔVE OU UN PLACARD ENCASTRÉS

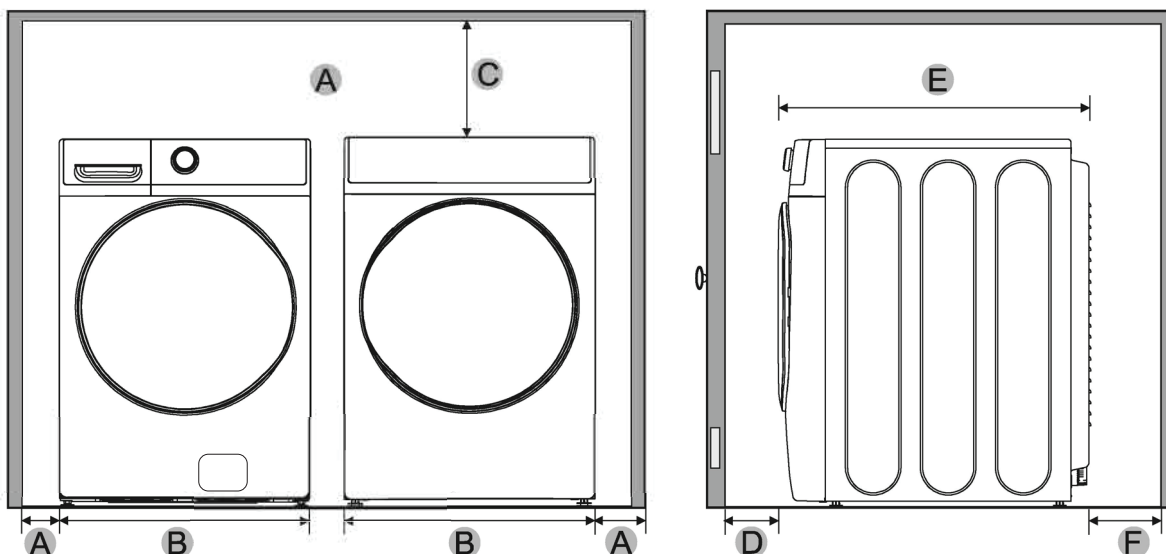


### AVERTISSEMENT

- L'évacuation de la sècheuse doit se faire vers l'extérieur afin de réduire les risques d'incendie lorsqu'elle est installée à l'intérieur du domicile.
- Aucun autre appareil à combustion ne devrait être installé dans le même placard que la sècheuse.

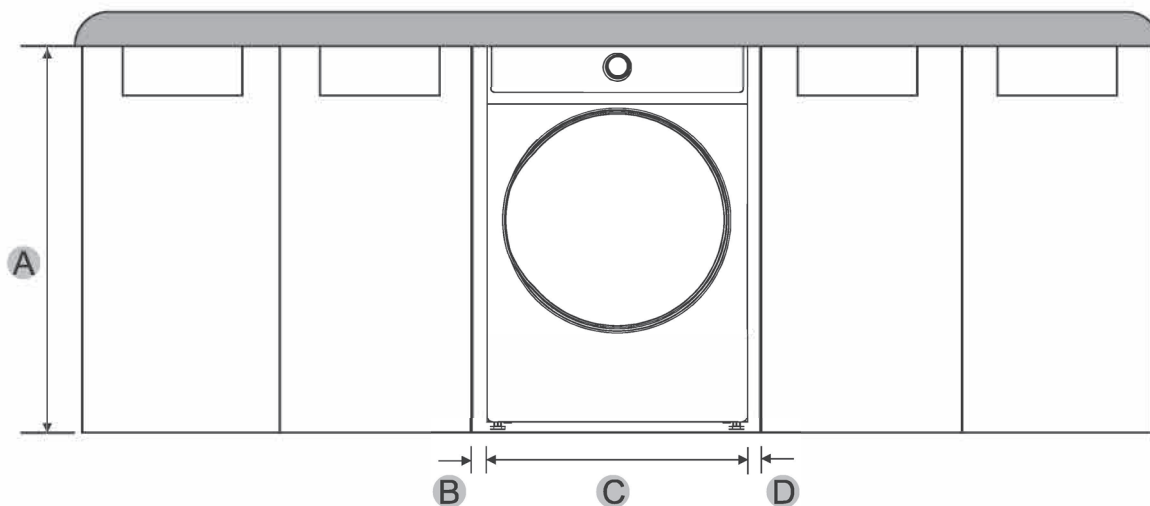
**Le dégagement minimum entre la sècheuse et les murs adjacents ou d'autres surfaces est :**

Côtés	25 mm (1 po)	Arrière	127 mm (5 po)
Dessus	610 mm (24 po)	Avant de l'armoire	51 mm (2 po)



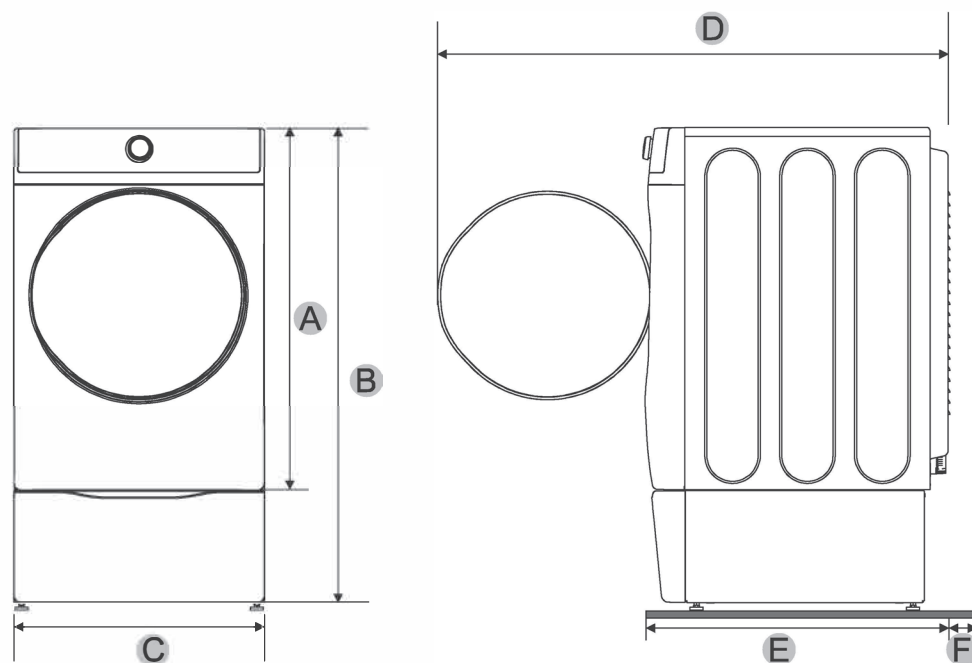
A	25 mm (1 po)	C	610 mm (24 po)	E	855 mm (33,7 po)
B	686 mm (27 po)	D	51 mm (2 po)	F	127 mm (5 po)

## INSTALLATION SOUS LE COMPTOIR



A	1 010 mm (39,8 po)	C	686 mm (27 po)
B	25 mm (1 po)	D	25 mm (1 po)

## INSTALLATION SUR PIÉDESTAL



A	991 mm (39 po)	C	686 mm (27 po)	E	855 mm (33,7 po)
B	1 317 mm (51,9 po)	D	1 402 mm (55,2 po)	F	127 mm (5 po)

Sécurité de la sècheuse

Exigences de fonctionnement

Composantes et caractéristiques

Instructions d'installation

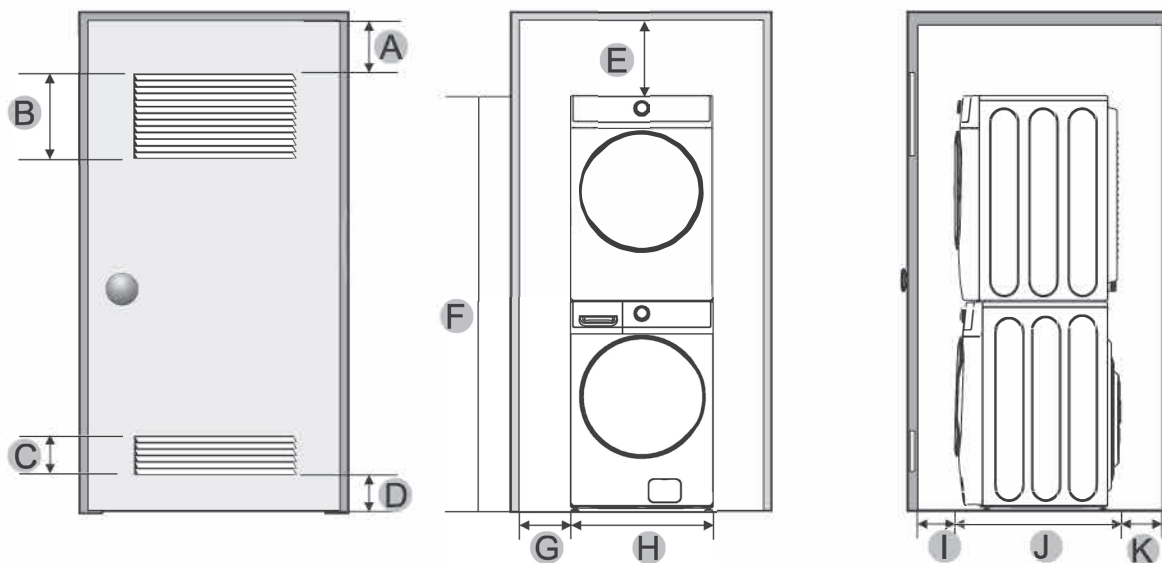
Utilisation de la sècheuse

Entretien de la sècheuse

Dépannage

Annexe

## INSTALLATION EMPILÉE

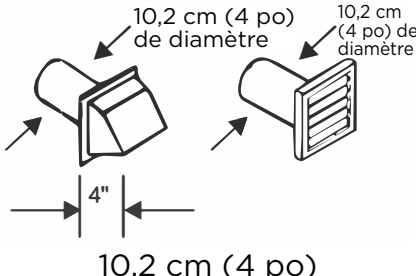
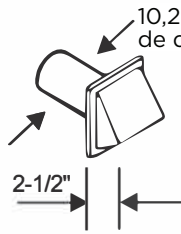


A	76 mm (3 po)	E	152 mm (6 po)	I	76 mm (3 po)
B	48 po <sup>2</sup> (31000 mm <sup>2</sup> )	F	2007 mm (79 po)	J	855 mm (33,7 po)
C	24 po <sup>2</sup> (15500 mm <sup>2</sup> )	G	25 mm (1 po)	K	203 mm (8 po)
D	76 mm (3 po)	H	686 mm (27 po)		

### REMARQUE :

Le devant du placard doit comporter deux ouvertures d'air non obstruées, soit une zone combinée minimale de 465 cm<sup>2</sup> (72 po<sup>2</sup>) et un dégagement minimal de 76 mm (3 po) au haut et au bas. Une porte à lattes avec un espace libre équivalent est acceptable.

## EXIGENCES RELATIVES AUX CONDUITS

	Recommandé	Utilisation uniquement pour une installation à court terme
Types de hottes d'intempérie	 <p>10,2 cm (4 po) de diamètre</p> <p>10,2 cm (4 po) de diamètre</p> <p>4"</p> <p>10,2 cm (4 po)</p>	 <p>10,2 cm (4 po) de diamètre</p> <p>2-1/2"</p> <p>6,4 centimètres (2,5 po)</p>
Nombre de coudes à 90°	Métallique rigide	Métallique rigide
0	27,4 m (90 pi)	18,3 m (60 pi)
1	18,3 m (60 pi)	13,7 m (45 pi)
2	13,7 m (45 pi)	10,7 m (35 pi)
3	10,7 m (35 pi)	25 pi (7,6 m)

**Si la nouvelle sècheuse est intégrée à un système d'évacuation existant, veillez à ce que :**

- Le système d'évacuation soit conforme à tous les codes locaux, provinciaux et nationaux.
- Aucun conduit en plastique flexible ne soit utilisé.
- L'intérieur du conduit soit inspecté et nettoyé et toute charpie soit enlevée.
- Le conduit ne soit pas bosselé ni écrasé.
- Le clapet de la hotte s'ouvre et se ferme librement.

### Mesures du manomètre

Pour des résultats optimaux, la pression statique dans tout système d'évacuation doit se situer entre 0,3 à 0,8 po de colonne d'eau et ne doit en aucun cas être inférieure à 0 avec un conduit de 4 po de diamètre. La mesure doit être prise avec un manomètre lorsque la sècheuse vide est en marche au point où le conduit d'évacuation est raccordé à la sècheuse. Un réglage sans chaleur devrait être utilisé. Le filtre à charpie doit être propre.



## AVERTISSEMENT

Sécurité de  
la sècheuse

Exigences de  
fonctionnement

Composantes et  
caractéristiques

Instructions  
d'installation

Utilisation de  
la sècheuse

Entretien de  
la sècheuse

Dépannage

Annexe

### **L'installation appropriée du système d'évacuation est VOTRE RESPONSABILITÉ.**

- Utilisez un conduit en aluminium ou en acier galvanisé rigide d'un diamètre de 10,2 cm (4 po).
- N'utilisez pas un conduit de plus petit diamètre que celui recommandé.
- Les conduits de plus de 10,2 cm (4 po) de diamètre peuvent se traduire par une accumulation plus importante de charpies et entraîner des changements de performance.
- Les peluches doivent être retirées régulièrement du filtre interne à chaque cycle et des conduits.
- Si un conduit métallique flexible doit être utilisé, utilisez le type avec des parois métalliques rigides. N'utilisez pas de conduit flexible à parois minces. Une obstruction importante pourrait se produire si le conduit métallique flexible est trop courbé.
- N'installez jamais de conduits flexibles dans les murs, les plafonds ou autres espaces cachés.
- Maintenez le conduit d'évacuation aussi droit et aussi court que possible et utilisez le moins de coudes possible
- Fixez les joints en utilisant du ruban adhésif. N'utilisez pas de vis.
- Les conduits flexibles en plastique peuvent s'entortiller, se détendre, être percés, réduire le débit d'air, prolonger les temps de séchage et affecter l'utilisation de la sècheuse.
- Les systèmes d'évacuation dépassant la longueur recommandée de 90 pi peuvent prolonger les temps de séchage, affecter le fonctionnement de la machine et entraîner une accumulation de charpie.
- Le conduit d'évacuation devrait se terminer par une hotte d'évacuation munie d'un clapet antiretour pour éviter le refoulement d'air et empêcher les animaux sauvages d'y pénétrer. N'utilisez jamais de hotte équipée d'un registre magnétique.
- Un espace d'au moins 30,5 cm (12 po) doit séparer le bas de la hotte du sol ou de tout autre obstacle. L'ouverture de la hotte devrait pointer vers le bas.
- N'installez jamais de filtre sur la sortie d'évacuation
- Pour éviter l'accumulation de charpie, l'évacuation de la sècheuse ne doit pas se faire dans une fenêtre. N'évacuez pas l'air sous une maison ou un porche.
- Si le conduit d'évacuation doit traverser une zone non chauffée, le conduit doit être isolé et légèrement incliné vers le bas en direction de la hotte pour réduire la condensation et l'accumulation de charpie.
- Inspectez et nettoyez l'intérieur du système d'évacuation au moins une fois par année. Débranchez le cordon d'alimentation avant de nettoyer.
- Effectuez régulièrement des vérifications pour vous assurer que le registre de la hotte s'ouvre et se ferme librement.
- Vérifiez-le une fois par mois et nettoyez-le au moins une fois par an. REMARQUE : Si vos vêtements ne sèchent pas, vérifiez si les conduits sont obstrués.
- N'évacuez pas l'air de la sècheuse par un mur, un plafond, un vide sanitaire ou un espace caché d'un bâtiment, un conduit d'évacuation de gaz ou tout autre conduit ou cheminée standard, car la charpie expulsée par la sècheuse peut présenter un risque d'incendie.
- N'utilisez pas de conduit flexible non métallique.
- Pour réduire le risque d'incendie, votre sècheuse **DOIT S'ÉVACUER À L'EXTÉRIEUR.**

# EXIGENCES D'ÉVACUATION



## AVERTISSEMENT

- L'air de la sècheuse ne doit pas être évacué dans une cheminée, un mur, un plafond, un grenier, un vide sanitaire, ou un espace caché d'un bâtiment.
- L'air de la sècheuse doit être évacué vers l'extérieur pour réduire le risque d'incendie lorsqu'elle est installée dans une alcôve ou un placard.

L'évacuation de l'air de la sècheuse vers l'extérieur évite le refoulement d'air humide et d'une importante quantité de charpie dans la pièce.



## AVERTISSEMENT

### N'UTILISEZ JAMAIS UN CONDUIT FLEXIBLE EN PLASTIQUE OU NON MÉTALLIQUE

Si les conduits existants sont en plastique, non métalliques ou combustibles, remplacez-les par du matériel métallique avant d'installer cet appareil

Utilisez uniquement des conduits d'évacuation métalliques et non inflammables pour assurer le confinement de l'air d'évacuation, de la chaleur et de la charpie.

Consultez la section « Exigences en matière de conduits » à la page 13 pour connaître la longueur maximale du conduit et le nombre de coudes requis.

- L'air de toutes les sècheuses doit être évacué vers l'extérieur
- N'assemblez pas le conduit avec des vis ou d'autres types d'attaches pénétrant à l'intérieur du conduit et pouvant entraîner l'accumulation de charpie.
- Le diamètre du conduit d'évacuation devrait être de 102 mm (4 po).
- La longueur totale du conduit métallique flexible ne doit pas dépasser 7,8 pieds. (2,4 mètres).

# EXIGENCES EN MATIÈRE DE GAZ

Utilisez uniquement du gaz naturel ou du propane liquide.

### **L'INSTALLATION DOIT ÊTRE CONFORME AUX NORMES LOCALES OU, EN L'ABSENCE DE TELLES NORMES, À LA DERNIÈRE VERSION DU CODE NATIONAL DE GAZ (POUR LES ÉTATS-UNIS), ANSI Z223.1/NFPA 54, OU À LA DERNIÈRE VERSION DU CODE D'INSTALLATION DU GAZ NATUREL ET PROPANE, CSA B149.1 (POUR LE CANADA).**

Les sècheuses à gaz sont munies d'un orifice de ventilation des brûleurs destiné à être utilisé avec le gaz naturel. Si vous envisagez d'utiliser votre sècheuse avec du propane liquide, elle devra être convertie par un technicien de maintenance qualifié pour garantir la sécurité et des performances normales.

Une conduite d'alimentation en gaz de 1,27 cm (1/2 po) est recommandée et doit être réduite pour la connexion à la conduite de gaz de 1 cm (3/8 po) de votre sècheuse. La réglementation nationale sur le gaz combustible exige qu'un robinet de fermeture manuelle du gaz accessible et agréé soit installé à moins de 15,24 cm (6 po) de votre sècheuse.

**Les sècheuses à gaz installées dans des garages résidentiels doivent être surélevées à 46 cm (18 po) au-dessus du sol.**

De plus, une prise enfichée N.P.T. de 0,3 cm (1/8 po), permettant le branchement d'une jauge de test, doit être installée immédiatement en amont de la connexion d'alimentation en gaz de votre sécheuse.

Votre sécheuse doit être déconnectée de la tuyauterie d'alimentation en gaz pendant toute vérification de pression du système.

Cette sécheuse doit être connectée au tuyau d'alimentation en gaz avec un connecteur de gaz flexible homologué conforme à la norme des connecteurs pour les électroménagers au gaz, ANSI Z21.24 ou CSA 6.10.

**NE réutilisez PAS** d'anciennes conduites de gaz métalliques flexibles. Les conduites de gaz flexibles doivent être certifiées par l'American Gas Association (l'ACG au Canada).

- Toute pâte à joint utilisée doit être résistante à l'action de tout gaz de pétrole liquéfié.
- La plupart des sociétés de gaz locales inspecteront gratuitement votre installation sur demande.

ALLUMAGE DU GAZ - Votre sécheuse utilise un système d'allumage automatique pour allumer le brûleur. Il n'existe pas de veilleuse permanente.

## INSTRUCTIONS D'INSTALLATION DU COMMONWEALTH DU MASSACHUSETTS

Votre sécheuse doit être installée par un plombier ou un monteur d'installation au gaz accrédité. Un robinet de gaz manuel à poignée en « T » doit être installé sur la conduite d'alimentation en gaz de la sécheuse installée à l'endroit où elle est mise en marche. Si un connecteur de gaz flexible est utilisé pour brancher la sécheuse, il ne doit pas être plus long que 91,5 cm (3 pi, 36 po).



### AVERTISSEMENT

- Des fuites de gaz peuvent survenir dans votre système, créant une situation dangereuse.
- Les fuites de gaz peuvent ne pas être détectées seulement par l'odeur.
- Les fournisseurs de gaz recommandent l'achat et l'installation d'un détecteur de gaz- conforme à la norme UL.
- Installez-le et utilisez-le conformément aux instructions du fabricant.

# EXIGENCES ÉLECTRIQUES

Le schéma de câblage se trouve sur la plaque arrière de l'unité.



## AVERTISSEMENT

- Le raccordement inadéquat du conducteur de mise à la terre de cet appareil peut entraîner un risque de choc électrique. Communiquez avec un électricien ou un représentant de service qualifié si vous n'êtes pas certain que l'appareil soit correctement mis à la terre. Ne modifiez pas la fiche fournie avec votre sècheuse. Si celle-ci ne correspond pas à la prise secteur, demandez à un électricien qualifié d'installer une prise adéquate.
- Pour prévenir tout risque superflu d'incendie, d'électrocution ou de blessure, l'intégralité du câblage et des mises à la terre doit être réalisée conformément aux réglementations locales ou, en l'absence de ces dernières, au code électrique national (National Electrical Code) ANSI/NFPA dernière révision n°70 (pour les États-Unis) ou aux dispositions canadiennes sur l'électricité CSAC22.1, dernières révisions, réglementations locales et ordonnances. Vous avez la responsabilité de fournir des alimentations secteur adaptées à votre sècheuse.
- Toutes les installations au gaz doivent être conformes aux dispositions nationales sur le gaz ANSI/Z2231, dernière révision (pour les États-Unis), ou aux dispositions d'installation CAN/CGA - B149 dernière révision (pour le Canada), ainsi qu'aux réglementations et ordonnances locales.

## Connexions électriques

Il est recommandé d'utiliser un circuit de dérivation individuel (ou distinct) qui alimente uniquement votre sècheuse. N'UTILISEZ PAS DE RALLONGE.

## Modèles au gaz - États-Unis et Canada

Une alimentation secteur c.a. homologuée de 120 Volts, 60 Hz avec fusible ou disjoncteur de 15 A est requise.

## Modèles électriques - États-Unis seulement

Les sècheuses nécessitent une alimentation secteur c.a. homologuée de 120/240 v, 60 Hz. Vous trouverez les spécifications électriques sur la fiche signalétique derrière la porte. Un fusible ou disjoncteur de 30 ampères est requis des deux côtés de la ligne.

- Si un cordon d'alimentation est utilisé, ce dernier devrait être branché dans une prise de courant de 30 ampères.
- Le cordon d'alimentation n'est PAS fourni avec les modèles de sècheuses électriques américains.

**AVERTISSEMENT****Risque de choc électrique**

Lorsque les dispositions locales le permettent, il est possible de brancher la sècheuse électrique à l'aide d'une trousse de câble d'alimentation neuf, portant une mention de compatibilité avec les sècheuses et homologuée UL. Ce câble doit supporter une alimentation nominale de 120/240 V, 30 A à partir d'un câble doté de trois conducteurs en cuivre n° 10 et se terminant par des bornes en boucle fermée, des cosses à fourches ouvertes aux extrémités relevées ou des conducteurs étamés.

- Ne réutilisez pas le cordon d'alimentation d'une ancienne sècheuse. Le câblage d'approvisionnement électrique du cordon d'alimentation doit être branché sur la sècheuse au moyen d'un réducteur de tension homologué UL.
- La mise à la terre via le conducteur neutre est interdite pour (1) les nouvelles installations de circuit, (2) les maisons mobiles, (3) les véhicules de camping et (4) les zones où les réglementations locales interdisent ce type de mise à la terre. (Utiliser une fiche quadripolaire pour une prise 4 fils, de type NEMA 14-30R.)

**Modèles électriques - Canada seulement**

- Vous devez utiliser une alimentation secteur c.a. de 240 volts, 60 Hz et un disjoncteur ou fusible de 30 A aux deux extrémités de la ligne.
- Tous les modèles canadiens sont expédiés avec le cordon d'alimentation installé. Le cordon d'alimentation devrait être branché dans une prise de 30 ampères.
- Au Canada, on ne peut pas convertir une sècheuse à 208 volts.

## MISE À LA TERRE

Cette sècheuse doit être mise à la terre. En cas de bris ou de problème de fonctionnement, la mise à la terre réduit les risques d'électrocution en offrant un trajet de moindre résistance au courant électrique.



### AVERTISSEMENT

#### Modèles à gaz et électriques

- Certaines pièces internes ne sont pas mises à la terre délibérément et peuvent présenter un risque de décharge électrique pendant l'entretien. Personnel d'entretien – Ne touchez pas les pièces suivantes pendant que l'appareil est sous tension : robinet d'admission, panneau de commande et thermistance de régulation de la température (située dans le boîtier du ventilateur).



### AVERTISSEMENT

#### Modèles à gaz

- Votre sècheuse est munie d'un cordon d'alimentation à trois broches avec un conducteur de mise à la terre. 120 V~ 60 Hz
- La fiche doit être branchée dans une prise secteur individuelle appropriée correctement installée et mise à la terre conformément aux dispositions et aux réglementations en vigueur.



### AVERTISSEMENT

#### Modèles électriques

La sècheuse doit être mise à la terre avec un cordon d'alimentation à 3 ou 4 fils avec un conducteur de mise à la terre et une fiche de mise à la terre, qui est vendue séparément.

- La fiche doit être branchée dans une prise secteur appropriée qui est correctement installée et mise à la terre conformément aux dispositions et aux réglementations en vigueur.
- Ne modifiez pas la fiche fournie avec votre sècheuse. Si celle-ci ne correspond pas à la prise secteur, demandez à un électricien qualifié d'installer une prise adéquate.
- Si aucun cordon d'alimentation n'est utilisé et la sècheuse électrique doit être branchée en permanence, raccordez-la à un système de câblage métallique permanent ou branchez un conducteur de mise à la terre aux conducteurs du circuit et à la borne de terre de l'appareil.

# COMPOSANTES ET CARACTÉRISTIQUES

Sécurité de la sécheuse

Exigences de fonctionnement

Composantes et caractéristiques

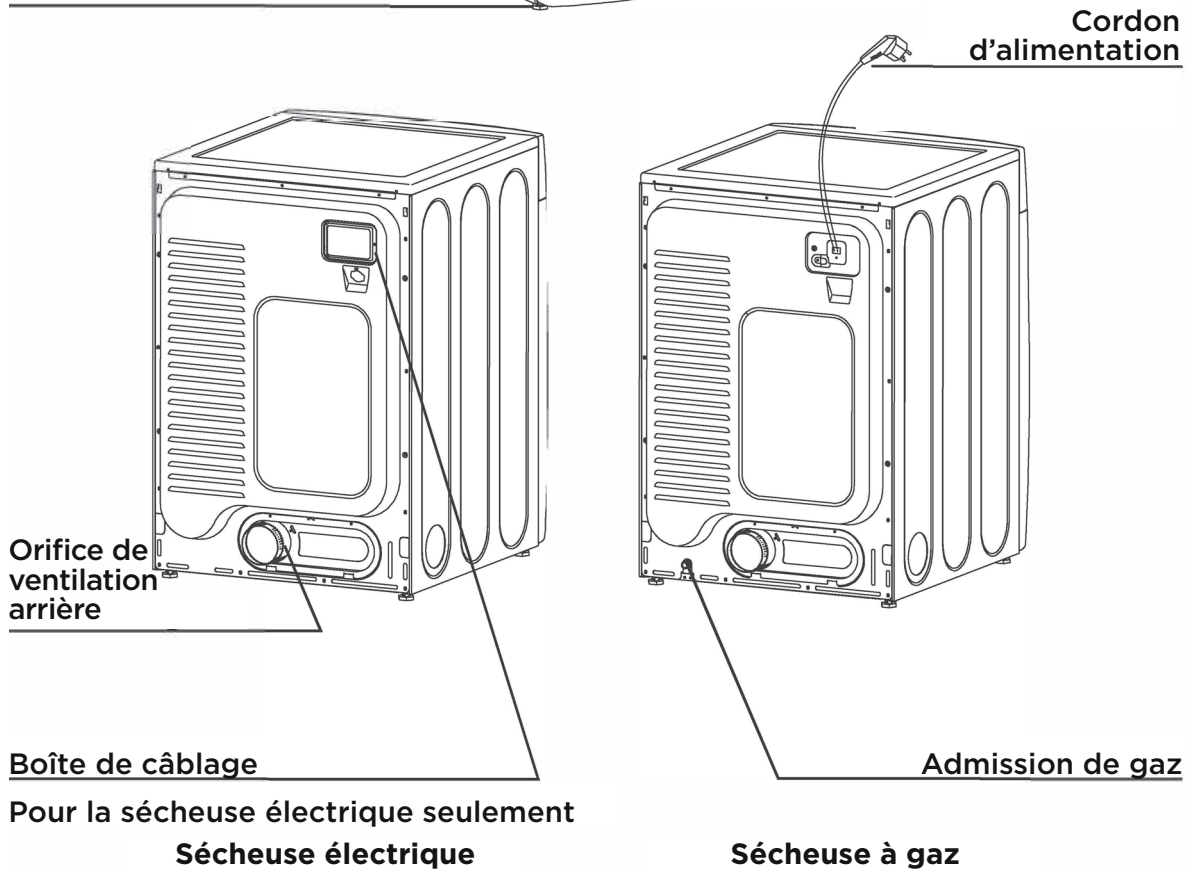
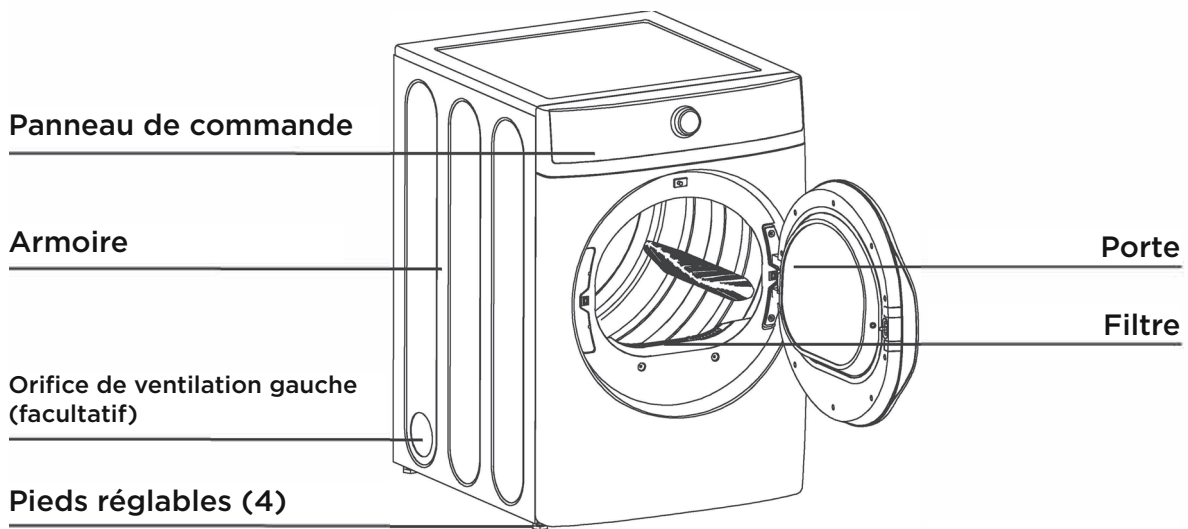
Instructions d'installation

Utilisation de la sécheuse

Entretien de la sécheuse

Dépannage

Annexe



## PIÈCES DE RECHANGE ET ACCESSOIRES

Si vous avez besoin de pièces de rechange ou d'accessoires pour votre sécheuse, communiquez avec le détaillant où vous avez acheté votre sécheuse ou avec le centre de service à la clientèle de **MIDEA** au **1-888-365-2230**.

# INSTRUCTIONS D'INSTALLATION

Pour une installation appropriée, nous vous recommandons d'embaucher un installateur qualifié.





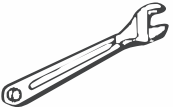

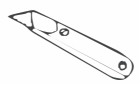
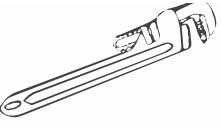

## SORTIR LA SÈCHEUSE DE SON EMBALLAGE

- Déballez votre sècheuse et vérifiez si elle a été endommagée pendant le transport. Assurez-vous que vous avez reçu tous les articles indiqués ci-dessous.
- Pour éviter tout risque de blessure ou de foulure, portez des gants de protection lorsque vous soulevez ou transportez l'appareil.

### AVERTISSEMENT

Les matériaux d'emballage peuvent être dangereux pour les enfants ;  
Gardez les matériaux d'emballage (sacs en plastique, polystyrène, etc.) hors de la portée des enfants.

## OUTILS REQUIS

 Tournevis cruziforme	 Tournevis plat	 Niveau
 Pinces	 Clé à molette d'une ouverture de 1 po (25 mm)	 Ruban adhésif en toile
 Couteau de découpe	 Clé à tuyau (gaz seulement)	 Clé à cliquet de 5/16 po

## pièces fournies

 Y connecteur	 tuyau d'arrivée court	 rondelle en caoutchouc
---	--	--

## SÉLECTION DE L'EMPLACEMENT APPROPRIÉ

Sécurité de la sècheuse

Exigences de fonctionnement

Composantes et caractéristiques

Instructions d'installation

Utilisation de la sècheuse

Entretien de la sècheuse

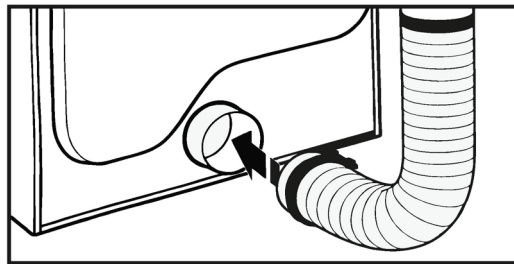
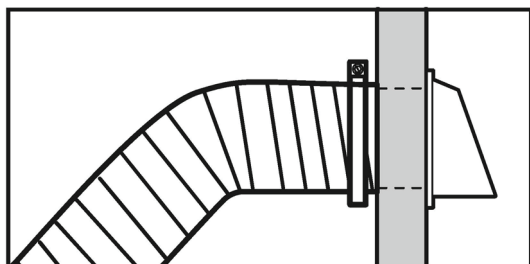
Dépannage

Annexe

1. La sècheuse devrait se trouver à un endroit où il y a suffisamment d'espace à l'avant pour remplir la sècheuse et assez d'espace à l'arrière pour le système d'évacuation.
2. Cette sècheuse a été conçue en usine pour une évacuation vers l'arrière. Pour une évacuation par le dessous ou vers la gauche, utilisez la trousse d'accessoires d'évacuation. Les instructions sont comprises avec la trousse.
3. Assurez-vous que la pièce dans laquelle se trouve la sècheuse dispose de suffisamment d'air frais. La sècheuse doit se trouver à un endroit où l'air peut passer librement. La température ambiante ne doit pas être inférieure à 0,5 °C (33°F).
4. Pour les sècheuses à gaz, il faut maintenir un dégagement suffisant, comme indiqué sur la plaque signalétique, pour assurer un apport d'air adéquat pour la combustion et le bon fonctionnement de la sècheuse.
5. La sècheuse ne doit pas être installée ou rangée dans un endroit où elle sera exposée à l'eau et/ou aux intempéries. La zone où se trouve la sècheuse ne doit pas comprendre de matériaux combustibles, d'essence et d'autres vapeurs et liquides inflammables. Une sècheuse produit de la charpie combustible. L'espace autour de la sècheuse ne devrait pas contenir de charpie.

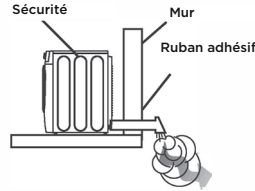
## INSTALLATION DU SYSTÈME D'ÉVACUATION

1. Passez en revue la section « Exigences d'évacuation » avant d'installer le système d'évacuation.
2. Reliez les conduits de votre sècheuse à la hotte d'évacuation. L'extrémité recourbée des sections du conduit doit être orientée vers l'extérieur.
3. N'utilisez PAS de vis à tôle lors de l'assemblage des conduits.
4. Ces joints devraient être scellés avec du ruban adhésif.
5. N'utilisez jamais de matériau d'évacuation en plastique flexible.
6. Conseil pour une installation étanche : installez une section du système d'évacuation sur votre sècheuse avant de la mettre en place.
7. Utilisez du ruban adhésif en toile pour fixer cette section à votre sècheuse, mais ne couvrez pas les événements de ventilation situés à l'arrière de l'unité dans l'armoire de la sècheuse.

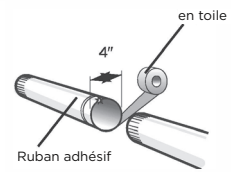


## AVERTISSEMENT

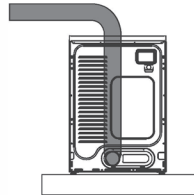
Assurez-vous que votre sècheuse est correctement installée afin qu'elle évacue facilement l'air.



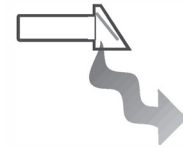
Utilisez un conduit métallique rigide de 4 po (10,2 cm) de diamètre. Scellez tous les joints, y compris au niveau de la sècheuse. N'utilisez jamais de vis qui entraînent l'accumulation de charpie.



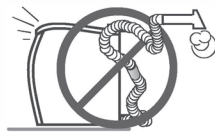
Gardez les conduits aussi droits que possible.



Nettoyez tous les anciens conduits avant d'installer votre nouvelle sècheuse. Assurez-vous que le volet d'aération s'ouvre et se ferme librement. Inspectez et nettoyez le système d'évacuation chaque année.



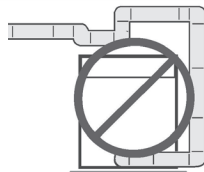
NE restreignez PAS la sècheuse en utilisant un système d'évacuation de mauvaise qualité.



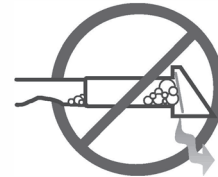
N'UTILISEZ PAS un conduit flexible en plastique, aux parois fines ou non métalliques.



N'UTILISEZ PAS de conduits inutilement longs qui sont dotés d'un trop grand nombre de coudes.



N'UTILISEZ PAS de conduits ou d'évents bosselés ou bouchés.



Sécurité de la sècheuse

Exigences de fonctionnement

Composantes et caractéristiques

**Instructions d'installation**

Utilisation de la sècheuse

Entretien de la sècheuse

Dépannage

Annexe

## RACCORDEMENT DE LA CONDUITE DE GAZ (POUR LES MODÈLES AU GAZ)

Passez en revue la section « **Exigences en matière de gaz** » à la page 15. Retirez le capuchon de protection du filet au pas du gaz.

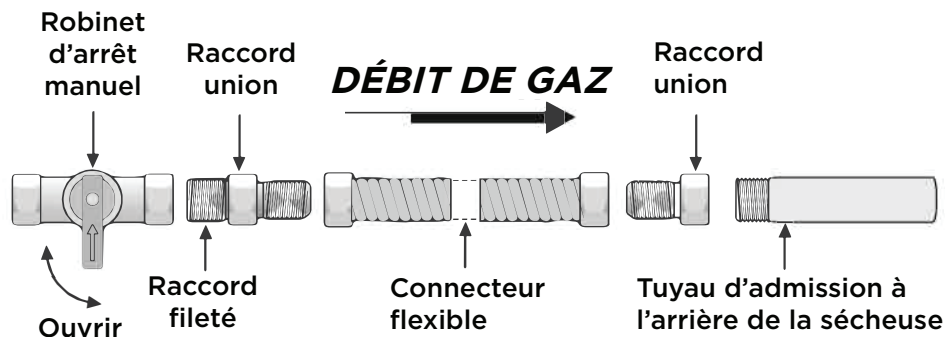
Appliquez sur tous les raccords filetés un matériau de joint d'étanchéité pour canalisation ou une bande de Téflon sur 1 1/2 po.

- Le matériau de joint d'étanchéité utilisé doit être résistant à l'action des gaz de pétrole liquéfié.

Raccordez l'alimentation en gaz à votre sècheuse. Un raccord supplémentaire est requis pour relier l'extrémité filetée femelle de 1,9 cm (3/4 po) du raccord flexible à l'extrémité filetée mâle de 1 cm (3/8 po) de la sècheuse. Utilisez uniquement une nouvelle conduite d'alimentation en gaz homologuée par l'AGA ou l'ACG avec des connecteurs flexibles en acier inoxydable à moins de 1,8 m (6 pi) de la sècheuse.

Serrez fermement les raccords de la conduite de gaz.

Ouvrez l'arrivée du gaz.



Toutes les connexions doivent être serrées avec une clé



### AVERTISSEMENT

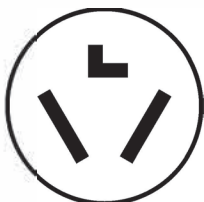
- Toutes les installations au gaz de la sècheuse doivent être dotées d'un robinet d'arrêt manuel..
- La tuyauterie en cuivre sans revêtement rouille lorsqu'elle est soumise à du gaz naturel, ce qui cause des fuites de gaz. Utilisez UNIQUEMENT des tuyaux de fer noir, en acier inoxydable ou en laiton revêtus de plastique pour l'approvisionnement en gaz..
- Confirmez l'absence de fuite de gaz au niveau des raccords à l'aide d'une solution savonneuse.
- Si des bulles apparaissent, resserrez les raccords et revérifiez. N'UTILISEZ PAS une flamme nue pour vérifier la présence de fuites de gaz.

# RACCORDEMENT DES CÂBLES ÉLECTRIQUES

Passez en revue la section « Exigences électriques » à la page 17.

AVANT TOUTE MISE EN MARCHÉ OU TEST, suivez les instructions de mise à la terre dans la section « Mise à la terre » à la page 19.

## PRISE À TROIS FILS



Prise à 3 fils  
(10-30R)

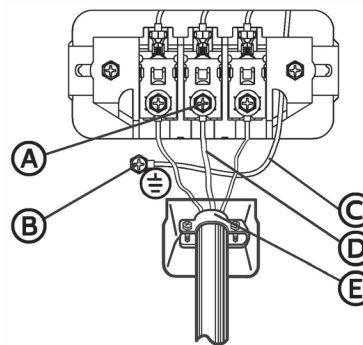
Choisissez ensuite un cordon d'alimentation à 3 fils avec des borniers à anneau ou des cosses à barrette et un réducteur de tension homologué UL. Le cordon d'alimentation à 3 fils, qui doit mesurer au moins 1,22 m (4 pi), doit comprendre 3 fils en cuivre massif de calibre 10 et être adapté à une prise à 3 fils de type NEMA 10-30R.

### Branchements à 3 fils

1. Retirez la vis centrale du bornier.
2. Branchez le fil neutre (blanc ou central) du cordon d'alimentation à la borne à vis centrale du bornier. Assurez-vous d'insérer la vis à travers l'anneau de la borne du cordon d'alimentation et serrez la vis.
3. Reliez les autres fils aux bornes à vis extérieures. Assurez-vous d'insérer la vis à travers l'anneau de la borne et serrez la vis.
4. Serrez les vis de décharge de tension.
5. Insérez la languette du couvercle du bornier dans la fente du panneau arrière de votre sècheuse. Fixez le couvercle à l'aide d'une vis.

### Instructions pour le système à 3 fils :

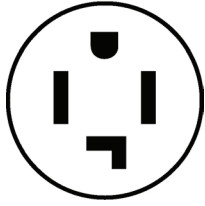
- (A) Vis du bornier central
- (B) Connecteur de terre externe
- (C) Fil de terre neutre (blanc)
- (D) Fil neutre (blanc ou central)
- (E) Réducteur de tension de 1,9 cm (3/4 po) homologué UL



### AVERTISSEMENT

Si vous convertissez un système électrique à 4 fils à un système électrique à 3 fils, le fil de mise à la terre du neutre doit être branché au connecteur de terre externe pour mettre à la terre le châssis de la sècheuse au conducteur neutre. Des borniers à anneau sont recommandés. Si vous utilisez des cosses à barrette, assurez-vous qu'elles sont serrées.

## PRISE À QUATRE FILS



Prise à 4 fils  
(14-30R)

Choisissez ensuite un cordon d'alimentation à 4 fils avec des borniers à anneau ou des cosses à barrette et un réducteur de tension homologué UL. Le cordon d'alimentation à 4 fils d'au moins 1,22 m (4 pi) de long doit avoir 4 fils en cuivre massif de calibre 10 et être adapté à une prise à 4 fils de type NEMA 14-30 R. Le fil de mise à la terre (conducteur de terre) peut être vert ou dénudé. Le conducteur neutre doit être identifié par une couleur blanche.

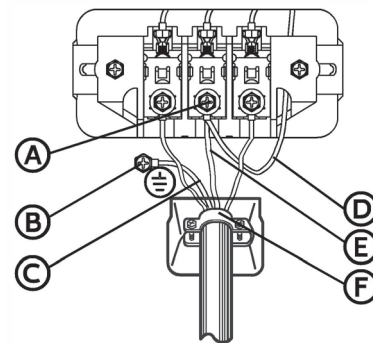
### Branchements à 4 fils

1. Retirez la vis centrale du bornier.
2. Reliez le fil de terre (vert ou sans habillage) du cordon d'alimentation au conducteur à vis de terre externe.
3. Branchez le fil neutre (blanc ou central) du cordon d'alimentation et le fil de terre de l'appareil (blanc) sous la vis centrale du bornier. Assurez-vous de croiser la vis à travers l'anneau du cordon d'alimentation et le fil de mise à la terre neutre de l'appareil. Serrer la vis.
4. Reliez les autres fils aux bornes à vis extérieures. Assurez-vous d'insérer la vis à travers l'anneau de la borne et serrez la vis.
5. Serrez les vis de décharge de tension.
6. Insérez la languette du couvercle du bornier dans la fente du panneau arrière de votre sècheuse. Fixez le couvercle à l'aide d'une vis.

### Instructions pour le système à 4 fils :

**IMPORTANT: Des borniers à anneau sont recommandés. Si vous utilisez des cosses à barrette, assurez-vous qu'elles sont serrées.**

- (A) Vis du bornier central
- (B) Connecteur de terre externe
- (C) Fil de cuivre vert ou dénudé du cordon d'alimentation
- (D) Fil de terre neutre (blanc)
- (E) Fil neutre (blanc)
- (F) Réducteur de tension de 1,9 cm (3/4 po) homologué UL



## AVERTISSEMENT



### Risque de choc électrique

Tous les modèles américains sont produits pour un **BRANCHEMENT À 3 FILS**.

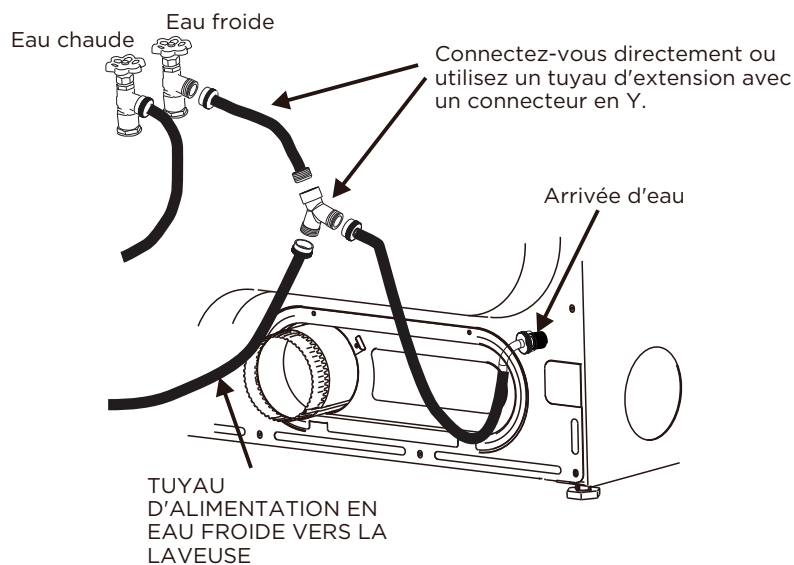
Le châssis de la sècheuse est relié au conducteur neutre au niveau du bornier. UN **BRANCHEMENT À 4 FILS** est nécessaire pour les nouvelles constructions, les habitations rénovées, les maisons mobiles ou les codes locaux ne permettant pas la mise à la terre via le conducteur neutre. Si le système à 4 fils est utilisé, le châssis de la sècheuse ne peut pas être relié au conducteur neutre au niveau du bornier. Consultez la section « **Exigences électriques** » à la page 17 pour les BRANCHEMENTS À 3 FILS ou À 4 FILS

Retirez la plaque de recouvrement du bornier.

Insérez le cordon d'alimentation avec un réducteur de tension homologué UL à travers le trou fourni dans le panneau à proximité du bornier. Assurez-vous qu'ils sont bien serrés. Utilisez une douille profonde de 1 cm (3/8 po).

- Un réducteur de tension doit être utilisé. Ne desserrez pas les écrous déjà fixés au bornier. Assurez-vous qu'ils sont bien serrés. Utilisez une douille profonde de 1 cm (3/8 po).

## Connecter les tuyaux d'arrivée

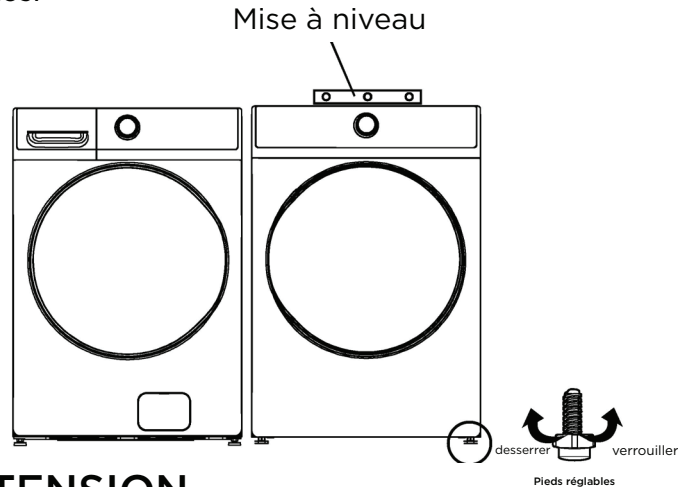


Connectez les tuyaux à la main puis serrez chaque connexion du tuyau d'arrivée du sèche-linge encore 2/3 de tour avec une pince. Ouvrez l'eau et vérifiez les fuites à tous les raccordements.

## MISE À NIVEAU DE LA SÈCHEUSE

Pour s'assurer que la sècheuse offre une performance de séchage optimale, elle doit être mise à niveau. Pour réduire au minimum les vibrations, le bruit et les mouvements involontaires, le sol sur lequel la sècheuse est installée doit être à niveau et parfaitement stable.

- Ajustez les pieds réglables uniquement pour mettre la sècheuse à niveau. Si vous allongez les pieds réglables plus que nécessaire, les vibrations seront plus importantes.



## MISE SOUS TENSION

Assurez-vous que tous les raccords de gaz (modèles au gaz seulement), d'évacuation et électriques ont été effectués. Branchez votre sècheuse.

## VÉRIFICATION FINALE

- Assurez-vous que la sècheuse est branchée dans une prise électrique et qu'elle est correctement mise à la terre.
- Les conduits d'évacuation sont branchés et les joints sont scellés.
- AUCUN conduit en plastique flexible n'est utilisé.
- Utilisez du matériel d'évacuation en métal rigide ou en métal flexible à parois rigides.
- La sècheuse est à niveau et est fermement en place sur le sol.
- Modèles au gaz - l'arrivée de gaz est ouverte et il n'y a aucune fuite de gaz.
- Démarrez votre sècheuse pour confirmer qu'elle fonctionne, chauffe et s'arrête.

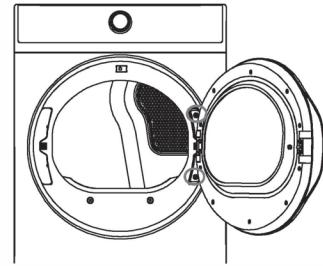


### MISE EN GARDE

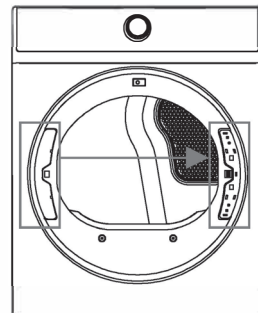
Le brûleur pourrait ne pas s'allumer initialement s'il y a de l'air dans la conduite de gaz. Effectuer un séchage à chaud permettra de purger la conduite. Si le gaz ne s'allume pas dans les 5 minutes, éteignez votre sècheuse et attendez 5 minutes. Assurez-vous que le robinet d'alimentation en gaz de votre sècheuse a été ouvert. Pour vérifier l'allumage du gaz, vérifiez l'émission de chaleur au niveau de l'évacuation.

# PROCÉDURE D'INVERSION DE PORTE

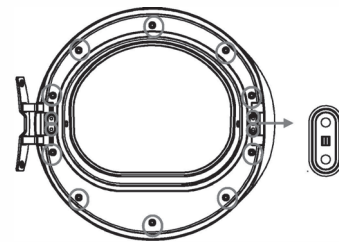
1. Débranchez le cordon d'alimentation.
2. Retirez les deux vis de charnière de la porte.
3. Retirez la porte en la soulevant.



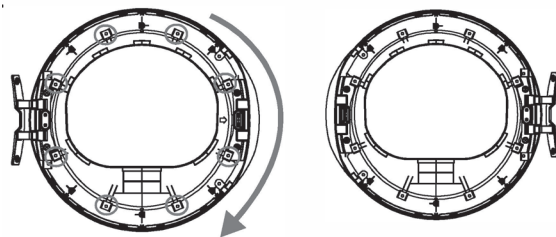
4. À l'aide d'un tournevis à lame plate, retirez le couvercle du trou de charnière.
5. Installez les deux couvercles de charnière sur le côté opposé.



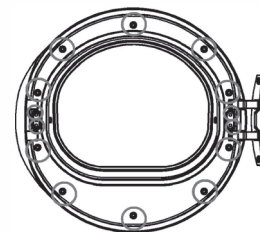
6. Retirez les 14 vis du couvercle arrière, puis retirez le couvercle arrière et la goupille de porte.



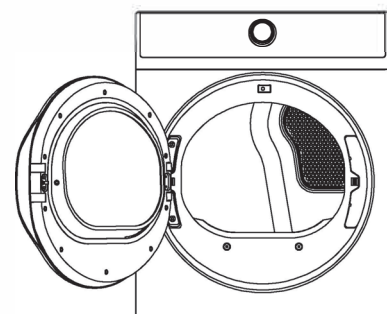
7. Retirez les 8 vis de la porte intérieure et faites pivoter les pièces restantes de 180 degrés.



8. Assemblez la porte intérieure et le couvercle arrière, placez la goupille de porte du côté opposé, puis fixez les 14 vis retirées à l'étape 6.



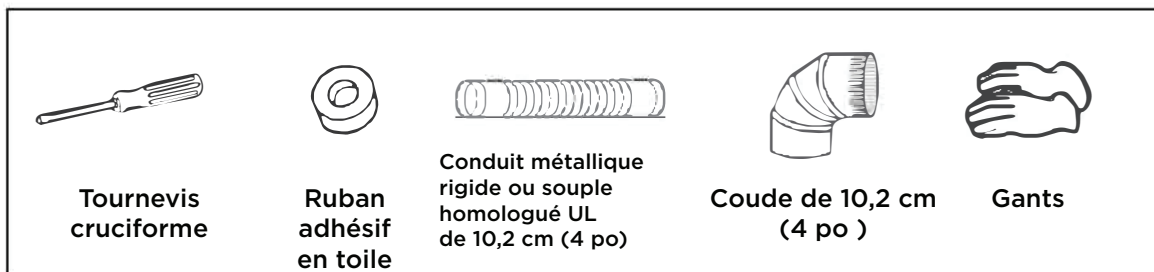
9. Installez la porte sur le devant du cadre, puis fixez les 2 vis retirées à l'étape 2.



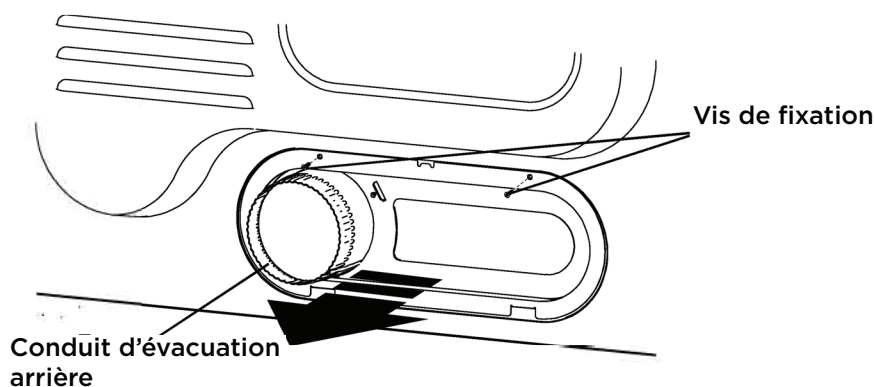
# CHANGER L'EMPLACEMENT DE L'ÉVACUATION D'AIR DE LA SÈCHEUSE

À l'origine, votre nouvelle sècheuse évacue l'air vers l'arrière. Elle peut également être configurée pour évacuer l'air par le dessous ou par le côté gauche (voir à partir de l'avant).

Il est possible d'acheter une trousse d'adaptation auprès de n'importe quel détaillant. Cette trousse contient les composants de conduit nécessaires pour changer l'emplacement de l'évacuation d'air de la sècheuse.

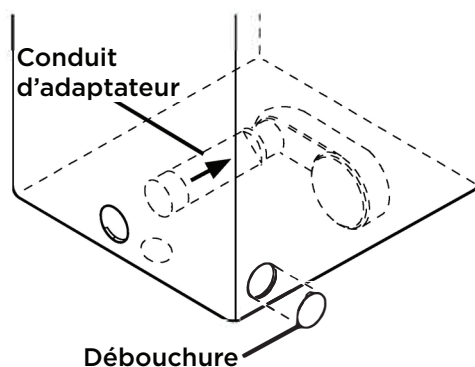


1. Retirez les vis de fixation du conduit d'évacuation arrière. Retirez le conduit d'évacuation.

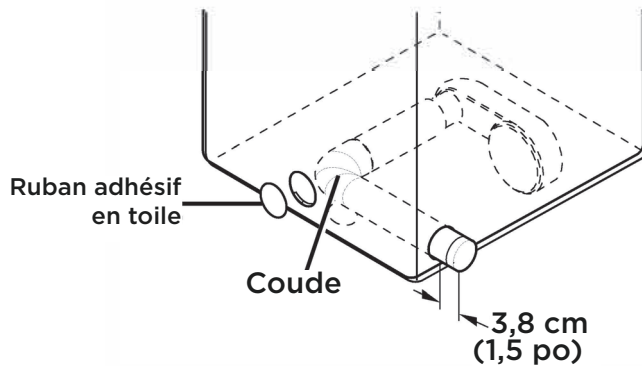


## Option 1 : Évacuation latérale

2. Appuyez sur les attaches de la débouchure et retirez délicatement la débouchure pour l'ouverture de ventilation désirée. Raccordez le conduit adaptateur sur le boîtier du ventilateur de la sècheuse, comme illustré..

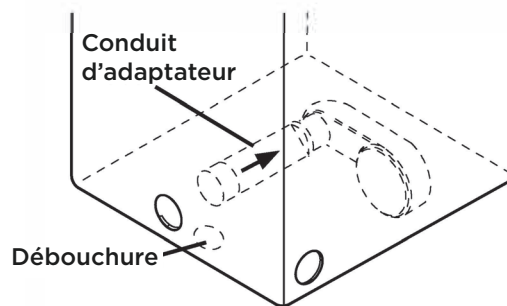


- Préassemblez un coude de 10,2 cm (4 po) à la section de conduit de 10,2 cm (4 po) suivante et fixez tous les joints à l'aide de ruban adhésif en toile. Assurez-vous que l'extrémité mâle du coude est orientée VERS L'EXTÉRIEUR de la sècheuse. Insérez l'ensemble coude/conduit dans l'ouverture latérale et appuyez-le au conduit adaptateur. Fixez-la à l'aide de ruban adhésif en toile. Assurez-vous que l'extrémité mâle du conduit dépasse de 3,8 cm (1,5 pouce) pour le raccordement au reste du système d'évacuation. Appliquez du ruban adhésif en toile sur la débouchure retirée à l'ouverture à l'arrière de la sècheuse.

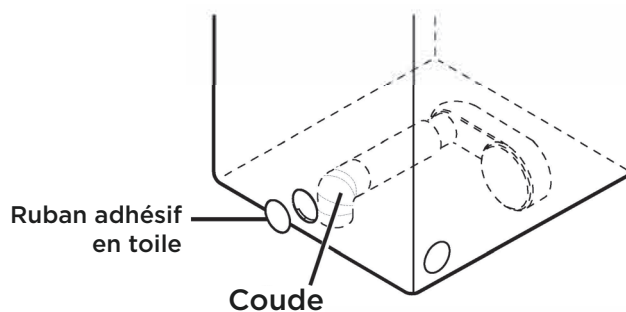


### Option 2 : Évacuation par le dessous

- Appuyez sur les attaches de la débouchure et retirez délicatement la débouchure pour l'ouverture de ventilation désirée. Appuyez le conduit adaptateur sur le boîtier du ventilateur de la sècheuse, comme illustré.

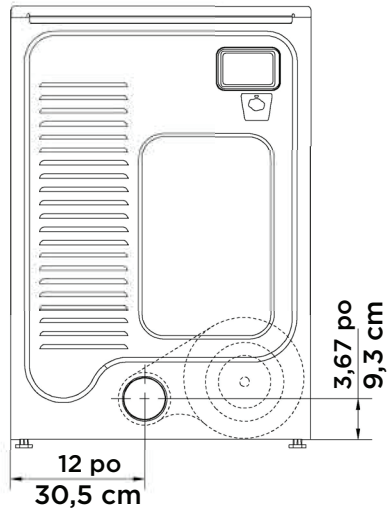


- Insérez le coude de 10,2 cm (4 po) dans l'ouverture arrière et appuyez-le au conduit adaptateur. Assurez-vous que l'extrémité mâle du coude est orientée vers l'ouverture dans la partie inférieure de la sècheuse. Fixez-la à l'aide de ruban adhésif en toile. Appliquez du ruban adhésif en toile sur la débouchure retirée à l'ouverture à l'arrière de la sècheuse.

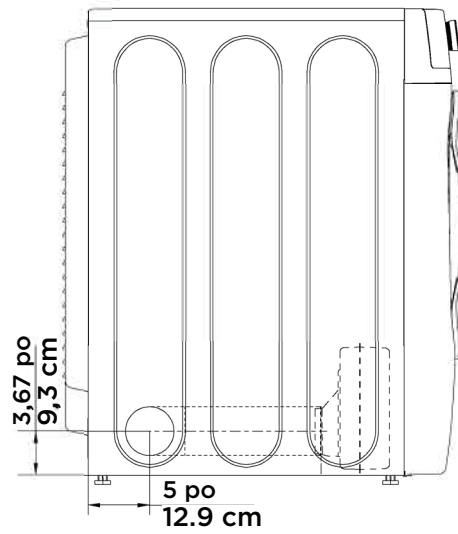
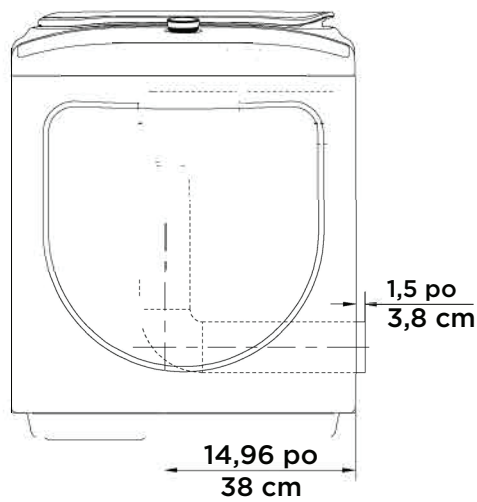


## Dimensions pour l'installation

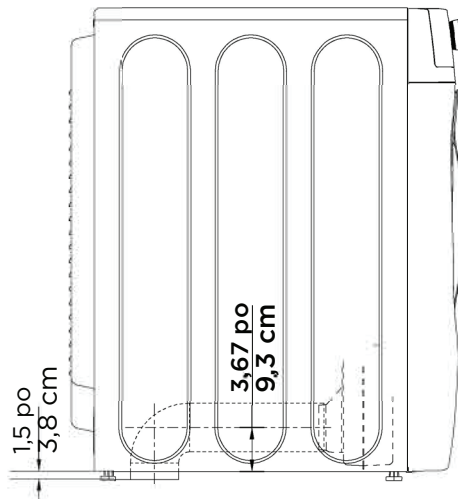
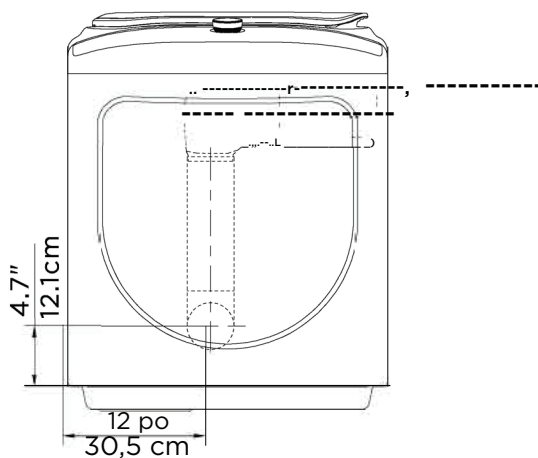
- Évacuation vers l'arrière (Par défaut)



- Évacuation latérale



- Évacuation par le dessous

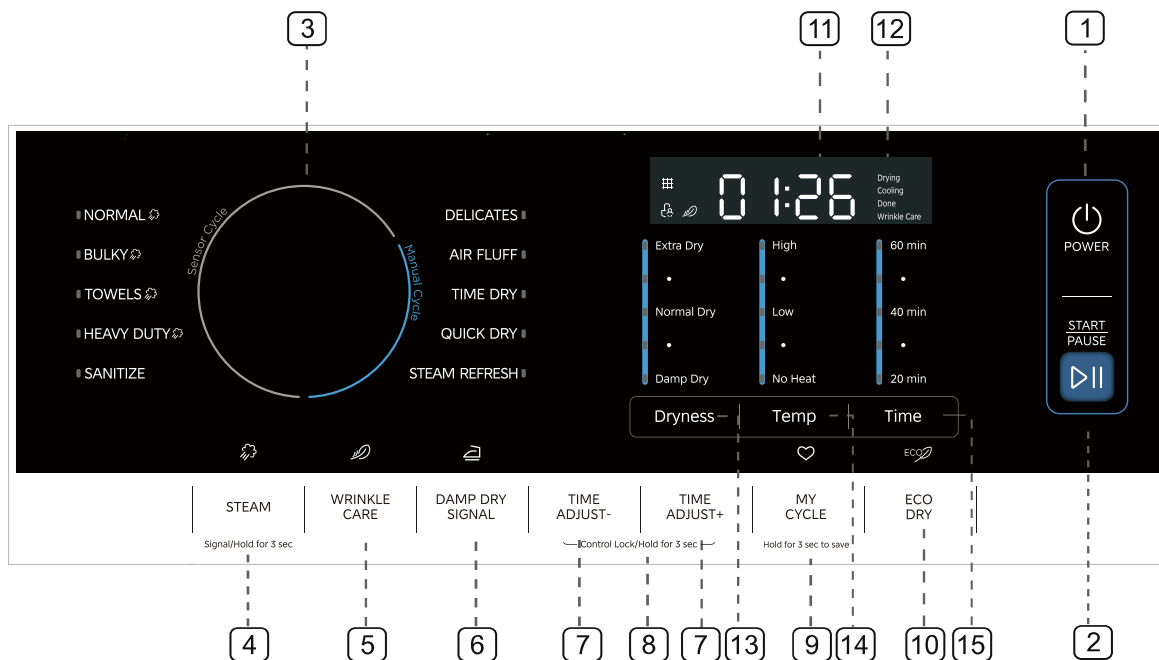


# UTILISATION DE LA SÈCHEUSE

## PANNEAU DE COMMANDE

### AVERTISSEMENT

Pour réduire le risque d'incendie, de choc électrique ou de blessure, lisez les CONSIGNES DE SÉCURITÉ IMPORTANTES avant d'utiliser l'appareil.



### 1 Bouton d'alimentation

Appuyez sur ce bouton pour mettre votre sècheuse en marche ou pour l'éteindre. Si votre sècheuse est allumée pendant plus de 10 minutes sans qu'aucun bouton ne soit actionné, elle s'éteint automatiquement.

### 2 Bouton Start/Pause (Mise en marche/Pause)

Appuyez sur ce bouton pour démarrer ou interrompre le programme. Vous ne pouvez pas modifier les réglages. Vous pouvez seulement ajouter un vêtement.

### 3 Sélecteur de cycle

Sélectionnez le cycle désiré pour le type de brassée.

Le cycle que vous sélectionnez détermine le contrôle de la chaleur du cycle.

Les cycles Normal, Delicates (Articles délicats), Bulky (Articles volumineux), Towels (Serviettes), Heavy Duty (Usage intensif) et Sanitize (Stérilisation) sont des cycles de détection de séchage.

Les cycles Air Fluff (Air froid), Time Dry (Séchage minuté), Quick Dry (Séchage rapide) et Towel Warmer (Chauffage de serviettes) sont des cycles manuels de séchage.

#### 4 **Steam (Vapeur)**

##### VAPEUR

Pour les cycles VAPEUR, il ne fonctionne que lorsque le niveau de séchage du linge s'approche de NORMAL ou dépasse le niveau de séchage.

#### 5 **Wrinkle Care (Anti-froissement)**

Appuyez une fois sur ce bouton pour ajouter l'étape anti-froissement au programme d'exploitation.

Appuyez de nouveau pour annuler la sélection.

Le cycle anti-froissement fournit environ 90 minutes de rotation intermittente à froid à la fin du cycle pour éviter que le linge se froisse. La brassée est déjà sèche et peut être retirée en tout temps pendant le cycle anti-froissement.

#### 6 **Damp Dry Signal (Signal de séchage humide)**

Cette fonction est utile lorsque vous voulez enlever certains vêtements pour les repasser. L'appareil émettra six bips lorsque le niveau d'humidité dans les vêtements sera adéquat pour le repassage. À ce moment-là, vous pouvez enlever ces vêtements et continuer à faire sécher les autres articles en appuyant une fois sur le bouton « START/PAUSE » (Mise en marche/Pause).

**REMARQUE :** L'appareil ne cessera pas de fonctionner si vous ne sortez pas ces vêtements pour le repassage.

#### 7 **Time Adjust + (Ajustement de la durée)**

Ces boutons fonctionnent uniquement pour les cycles manuels. Appuyez sur ces boutons pour changer la durée de séchage que vous préférez. Appuyez plusieurs fois pour obtenir la durée de séchage désirée.

#### 8 **Control Lock (Verrouillage de commande)**

Appuyez sur les touches « Wrinkle Care » (Anti-froissement) et « Time Adjust+ » (Ajustement de la durée+) ensemble pour activer la fonction de verrouillage des commandes. Appuyez à nouveau pendant 3 secondes pour désactiver la fonction. Tous les boutons sauf le bouton « Power » (Marche-Arrêt) ne seront pas fonctionnels lorsque le verrouillage de commande sera activé.

#### 9 **My Cycle (Mon vélo)**

Appuyez et maintenez enfoncé pendant 3 secondes pour mémoriser votre cycle de séchage préféré. Appuyez une fois pour définir votre cycle préféré.

### 10 **ECO DRY (Séchage écologique)**

Appuyez sur ce bouton pour sélectionner le cycle Eco Dry (séchage écologique). Cette fonction réduira la consommation d'énergie en réduisant la température de séchage mais en augmentant la durée de fonctionnement.

### 11 **Digital Screen (Écran numérique)**

Cet écran numérique affichera la durée du cycle défini ou le temps restant du cycle.

### 12 **Cycle Status Display (Affichage de l'état du cycle)**

Le graphique ou le texte de l'indicateur relatif s'allumera lorsque la sècheuse sera dans son programme de séchage. Lorsque tout le programme sera terminé, le graphique de l'indicateur « Terminé » clignotera pour vous rappeler de décharger votre lessive.

### 13 **Dryness Level (Niveau de séchage)**

Appuyez sur le bouton pour sélectionner le niveau de séchage. Des niveaux de séchage différents se traduisent par des durées de séchage différentes. Pour que les vêtements puissent être repassés manuellement, un plus bas niveau de séchage devrait être sélectionné.

### 14 **Dry Temp. (Température de séchage)**

Appuyez sur le bouton pour sélectionner la température de séchage.

High (Haute) - Pour les vêtements en coton résistants ou portant l'étiquette Sécher par culbutage.

Medium (Moyenne) - Pour les tissus infroissables, les tissus synthétiques, les cotons légers ou les vêtements portant l'étiquette Sécher par culbutage à température moyenne.

Low (Basse) - Pour faire sécher les tissus synthétiques ou les tissus tricotés lavables à une température plus basse que la température moyenne.

Ultra Low (Très basse) - Pour les articles sensibles à la chaleur dont l'étiquette indique Sécher par culbutage à basse température ou Sécher par culbutage à haute température.

No Heat (Aucune chaleur) - Ne fournit que le cycle d'air sans chaleur.

### 15 **Time Dry (Séchage minuté)**

Ce bouton est une sélection rapide pour le réglage TIME DRY (Séchage à minuterie).

# SÉCHAGE D'UNE BRASSÉE DE LESSIVE

Sécurité de la sècheuse

Exigences de fonctionnement

Composantes et caractéristiques

Instructions d'installation

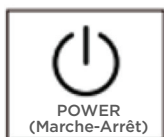
Utilisation de la sècheuse


Entretien de la sècheuse

Dépannage

Annexe

## 1. Mettez votre sècheuse en marche.



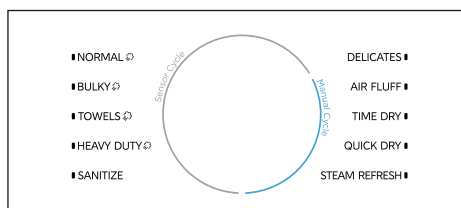
- Appuyez sur le bouton Power (Marche-arrêt) pour mettre votre sècheuse en marche.
- L'indicateur de  po (Nettoyer le filtre) sur l'écran clignotera 10 fois lorsque votre sècheuse est sous tension.
- Vous devez nettoyer le filtre avant de remplir la sècheuse.

## 2. Mettez des articles dans votre sècheuse.



- Placez une seule brassée à la fois dans votre sècheuse.
- Un mélange de tissus épais et légers séchera différemment. Par conséquent, les tissus légers risquent d'être secs alors que les tissus épais seront encore humides à la fin du cycle de séchage.
- Ajoutez un ou plusieurs articles semblables dans votre sècheuse lorsque seuls un ou deux articles doivent être séchés. Ceci améliore l'action du tambour et l'efficacité de séchage.
- Une surcharge de linge restreint l'action du tambour, ce qui se traduit par un séchage irrégulier et un froissement excessif de certains tissus.

## 3. Sélectionnez le cycle et les options appropriés pour la brassée.



- Sélectionnez le cycle approprié en utilisant le sélecteur de cycle en fonction du tableau de cycle à la page 37.
- Sélectionnez la fonction optionnelle appropriée en utilisant les boutons selon le tableau de la page 37.

**Remarque :** Un tripler bip signifie que la sélection n'est pas disponible.

## 4. Démarrez votre sècheuse.



Appuyer sur le bouton **START/PAUSE (Mise en marche/Pause)** démarrera le cycle sélectionné. Pour **INTERROMPRE** le cycle, appuyez sur le bouton **START/PAUSE (Mise en marche/Pause)** puis ouvrez la porte. Pour remettre la sècheuse en marche, appuyez toujours sur **START/PAUSE (Mise en marche/Pause)** après avoir fermé la porte. Ouvrir la porte arrêtera immédiatement la sècheuse et vous devrez appuyer sur le bouton **Start/Pause (Mise en marche/Pause)** pour la remettre en marche.

Cycle	Type de tissu	Température de séchage	Niveau de séchage	Time Dry (Séchage minuté)	Steam	WRINKLE CARE (Anti-froissement)	DAMP DRY SIGNAL (Signal de séchage humide)	TIME ADJUST (Ajustement de la durée)	MY CYCLE (Mon cycle)	ECO DRY (Séchage écologique)	Durée par défaut (Elec.)	Durée par défaut (gaz)
Normal	Coton Sous-vêtements Lin	Medium (Moyen)	Extra sec	N	O	O	O	N		O	62 min	62 min
			More Dry (Plus sec)									
			Normal Dry (Normal)									
			Less Dry (Moins sec)									
			Damp Dry (Séchage humide)									
Bulky (Articles volumineux)	Couvertures Draps Douillettes	Medium (Moyen)	Extra sec	N	O	O	O	N		N	110 min	120 min
			More Dry (Plus sec)									
			Normal Dry (Normal)									
			Less Dry (Moins sec)									
			Damp Dry (Séchage humide)									
Serviettes	Serviettes Intense épais	Haute	Extra sec	N	O	O	O	N		N	56 min	55 min
			More Dry (Plus sec)									
			Normal Dry (Normal)									
			Less Dry (Moins sec)									
			Damp Dry (Séchage humide)									
Heavy Duty (Intensif)	Jeans Pantalons en velours Vêtements de travail	Haute	Extra sec	N	O	O	O	N	mémoriser le programme récent	N	60 min	54 min
			More Dry (Plus sec)									
			Normal Dry (Normal)									
			Less Dry (Moins sec)									
			Damp Dry (Séchage humide)									
Sanitize (Aseptisation)	Literie	Haute	Extra sec	N	N	O	N	N	N	62 min	62 min	
Délicates (Articles délicats)	Articles sensibles	Basse	Extra sec	N	N	O	O	N		N	30 min	25 min
			More Dry (Plus sec)									
			Normal Dry (Normal)									
			Less Dry (Moins sec)									
			Damp Dry (Séchage humide)									
Air Fluff (Air froid)		No Heat (Sans chaleur)	/	O	N	N	N	O	N	20 min	20 min	
Time Dry (Séchage minuté)		Haute	/	O	N	O	N	O		N	40 min	40 min
		Medium (Moyen)										
		Basse										
		Ultra Low (Très basse)										
		No Heat (Sans chaleur)										
Quick Dry (Séchage rapide)		Haute	/	O	N	O	N	O		N	30 min	30 min
		Medium (Moyen)										
		Basse										
		Ultra Low (Très basse)										
		No Heat (Sans chaleur)										
Steam (Vapeur)		Haute	/	N	Il le faut	N	N	N		N	15 min	15 min
		Medium (Moyen)										
		Basse										
		Ultra Low (Très basse)										
		No Heat (Sans chaleur)										

\* Le tableau en gris est un réglage initial. « O » est toutes les fonctions facultatives que vous pouvez sélectionner.

\* Pour un meilleur effet de séchage, veuillez sélectionner un niveau de séchage plus élevé.

\* Pour économiser de l'énergie, le réglage par défaut pour le cycle normal est Normal+Moyen+Normal Dry+ECO DRY (Séchage écologique).

Si vous avez une grande quantité de vêtements et que vous voulez une vitesse de séchage plus rapide, vous pouvez appuyer sur « ECO DRY » une fois pour annuler cette option.

\* SUIVEZ LES EXIGENCES SUR LES ÉTIQUETTES DES VÊTEMENTS.

Sécurité de la sècheuse

Exigences de fonctionnement

Composantes et caractéristiques

Instructions d'installation

Utilisation de la sècheuse

Entretien de la sècheuse

Dépannage

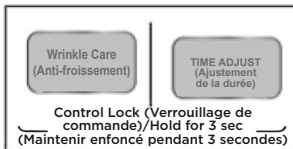
Annexe

## 5. Retirez votre lessive.



- Une fois le cycle terminé, le texte de l'indicateur « Done » (Terminé) clignotera et la sècheuse émettra six bips.

## VERROUILLAGE DE COMMANDE



Votre sècheuse est dotée d'une fonction de verrouillage de commande pour éviter que les enfants ne jouent avec elle. Lorsque vous activez le verrouillage de commande, le seul bouton qui fonctionne est Power (Marche-Arrêt).

- Vous pouvez mettre votre sècheuse en marche, régler cette fonction, puis l'éteindre.
- Lorsque vous le faites, même si l'appareil est sous tension, vous ne pouvez toujours pas le démarrer avant que la fonction de verrouillage de commande soit désactivée.
- Cette fonction ne sera pas annulée si l'alimentation de votre appareil est coupée, comme lorsque vous le débranchez ou il est mis hors tension.

Appuyez sur les boutons « **Wrinkle Care** » (Anti-froissement) et « **Time Adjust t+** » (Ajustement de la durée) et maintenez-les enfoncés pendant trois secondes. L'icône de verrouillage de commande s'allume.

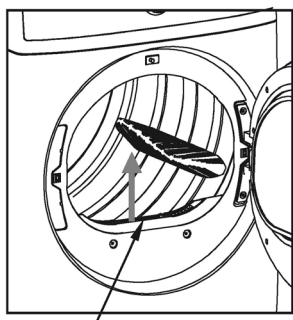
Pour désactiver le verrouillage de la commande, appuyez sur les boutons « **Wrinkle Care** » (Anti-froissement) et « **Time Adjust +** » (Ajustement de la durée) et maintenez-les enfoncés pendant trois secondes.

## ECO DRY (Séchage écologique)



- Cette fonction réduira la consommation d'énergie en réduisant la température de séchage mais en augmentant la durée de fonctionnement.

## NETTOYAGE DU FILTRE



Filtre à charpie

Pour éviter un risque d'incendie, assurez-vous de nettoyer le filtre à charpie avant ou après chaque brassée.

- Pour réduire le temps de séchage.
- Pour un fonctionnement énergétiquement plus efficace.



### MISE EN GARDE

- Ne faites PAS fonctionner votre sècheuse si le filtre à charpie n'est pas en place.
- N'utilisez pas un filtre à charpie endommagé. Cela peut avoir une incidence négative sur la performance et/ou causer un incendie.

## À L'AIDE DU SUPPORT DE SÉCHAGE

Utilisez des cycles manuels pour la charge humide occasionnelle qui nécessite un peu plus de temps de séchage ou lorsque vous utilisez le support de séchage.

Si vous n'avez pas de support de séchage (no 12138200003542) pour cette sècheuse, mais que vous en voulez un, communiquez avec le détaillant où vous avez acheté votre sècheuse ou le centre de service à la clientèle de MIDEA au 1 866 365-2230.

Retirez et jetez tout matériel d'emballage avant l'utilisation. Conservez les instructions à titre de référence. Utilisez la support de séchage pour les articles que vous ne voulez pas sécher par culbutage, comme les chandails et les chaussures de tennis. Lorsque vous utilisez le support de séchage, le tambour continue de tourner, mais le support reste stationnaire.

Le support est conçu pour être utilisé uniquement avec des cycles manuels, et non avec des cycles de capteur.

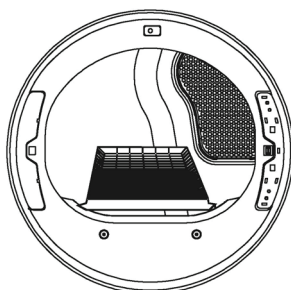
### Pour utiliser le support de séchage :



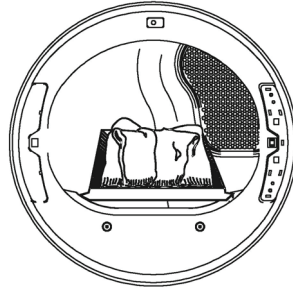
### MISE EN GARDE

- Ne retirez pas le filtre à charpie.

1. Ouvrez la porte de la sècheuse.



- Alignez les deux crochets à l'avant du support de séchage avec les trous dans l'ouverture de la porte de la sècheuse et appuyez complètement dans les trous. Posez le support arrière sur le rebord arrière de la sècheuse.



- Placez les articles humides sur le dessus du support de séchage. Laissez de l'espace autour des articles pour que l'air circule. Le support de séchage ne bouge pas, mais le tambour tournera; assurez-vous de laisser un dégagement adéquat entre les articles et l'intérieur du tambour de la sècheuse. Assurez-vous que les articles ne pendent pas sur les bords ou entre la grille du support de séchage.
- Fermez la porte.
- Sélectionnez **Temps de séchage**. Sélectionnez le réglage **No Heat, Low** ou **Ultra Low Temp**. Les articles contenant de la mousse, du caoutchouc ou du plastique doivent être séchés sur une corde à linge ou en utilisant le réglage de température sans chaleur.
- Lorsque le cycle est sélectionné, l'affichage Estimated Time Remaining (Temps estimé restant) affiche l'heure par défaut. Vous pouvez modifier l'heure réelle du cycle en augmentant ou en diminuant la durée du cycle.
- Appuyez sur START/PAUSE (Mettre en marche/Pause).

**REMARQUE:** Vérifiez le filtre à charpie et retirez toute charpie accumulée sur les articles séchés sur le support de séchage une fois le cycle terminé.

## CONSEILS PARTICULIERS POUR LA LESSIVE

Veillez suivre les consignes de l'étiquette d'entretien ou du fabricant pour le séchage. S'il n'y a pas d'instructions sur l'étiquette d'entretien, utilisez les renseignements suivants comme guide.

Articles	Guide de séchage
<b>Couvre-lits et douillettes</b>	<ul style="list-style-type: none"> <li>Suivez les instructions sur l'étiquette d'entretien ou séchez au cycle Bulky (Articles volumineux).</li> <li>Assurez-vous que l'article est complètement sec avant de l'utiliser ou de le ranger.</li> <li>Peut nécessiter un repositionnement pour assurer un séchage uniforme.</li> </ul>

Articles	Guide de séchage
<b>Couvertures</b>	<ul style="list-style-type: none"> <li>Utilisez le cycle normal et séchez une seule couverture à la fois pour assurer une action de tambour optimale.</li> <li>Assurez-vous que l'article est complètement sec avant de l'utiliser ou de le ranger.</li> <li>Peut nécessiter un repositionnement pour assurer un séchage uniforme.</li> </ul>
<b>Rideaux et tentures</b>	<ul style="list-style-type: none"> <li>Utilisez le cycle Casual (ordinaire), le réglage de température Medium (Moyenne) et le niveau de séchage Less Dry (Moins sec) pour minimiser l'apparition de plis.</li> <li>Séchez ce type de linge par petits volumes pour des résultats optimaux et sortez-le dès que possible.</li> </ul>
<b>Couches en tissu</b>	<ul style="list-style-type: none"> <li>Utilisez le cycle normal à température élevée pour les couches en tissu ouaté et duveteux.</li> </ul>
<b>Articles garnis de duvet (vestes, sacs de couchage, douillettes, etc.)</b>	<ul style="list-style-type: none"> <li>Utilisez le cycle normal à température moyenne.</li> <li>Ajoutez quelques serviettes sèches pour réduire le temps de séchage et absorber l'humidité.</li> </ul>
<b>Caoutchouc mousse (revêtements de tapis, jouets en peluche, épaulettes,)</b>	<ul style="list-style-type: none"> <li>NE PAS sécher à chaud. Utilisez le cycle Air Fluff (no heat) (Air froid (Sans chaleur)).</li> </ul> <p><b>AVERTISSEMENT :</b> Sécher un article en caoutchouc avec de la chaleur pourrait l'endommager ou constituer un risque d'incendie.</p>
<b>Oreillers</b>	<ul style="list-style-type: none"> <li>Utilisez le cycle normal.</li> <li>Ajoutez quelques serviettes sèches et une paire de chaussures de sport propres pour aider l'action de séchage rotatif et donner du volume à l'article.</li> </ul> <p>NE séchez pas d'oreillers en kapok ou en mousse dans la sècheuse. Vous pouvez sécher ces articles en autant que vous utilisiez le cycle Air Fluff (Air froid).</p>
<b>Plastiques (comme les rideaux de douche ou les housses de mobilier d'extérieur)</b>	<ul style="list-style-type: none"> <li>Utilisez le cycle Air Fluff (Air froid) ou le cycle Time Dry (Séchage minuté) au réglage de température Low (Basse) ou Ultra Low (Très basse) selon les instructions sur l'étiquette d'entretien.</li> </ul>

Articles à NE PAS sécher dans la laveuse :

- Articles en fibre de verre (rideaux, draperies, etc.)
- Lainages, sauf indication contraire sur l'étiquette.
- Articles imprégnés d'huile végétale ou alimentaire.

Sécurité de la sècheuse

Exigences de fonctionnement

Composantes et caractéristiques

Instructions d'installation

Utilisation de la sècheuse

Entretien de la sècheuse

Dépannage

Annexe

# ENTRETIEN DE LA SÈCHEUSE



## AVERTISSEMENT

- Certaines pièces internes ne sont pas mises à la terre délibérément et peuvent présenter un risque de décharge électrique pendant l'entretien. Personnel d'entretien - Ne touchez pas les pièces suivantes pendant que l'appareil est sous tension : robinet d'admission, panneau de commande et thermistance de régulation de la température (située dans le boîtier du ventilateur).

## NETTOYAGE ET ENTRETIEN

### PANNEAU DE COMMANDE

- Nettoyez avec un chiffon doux et humide. N'utilisez pas de substances abrasives.
- Ne vaporisez pas de produits de nettoyage directement sur le panneau.
- La finition du panneau de commande pourrait être endommagée par certains détachants pour tissu. Appliquez de tels produits à l'écart de votre sècheuse et essuyez immédiatement tout dégât ou toute surpulvérisation.

### TAMBOUR EN ACIER INOXYDABLE OU ANODISÉ

- Pour nettoyer le tambour en acier inoxydable ou anodisé, utilisez un chiffon humide avec un nettoyant doux et non abrasif convenant aux surfaces en acier inoxydable et anodisées.
- Enlevez les résidus du nettoyant et séchez avec un linge propre.

### EXTÉRIEUR DE LA SÈCHEUSE

- Nettoyez avec un chiffon doux et humide. N'utilisez pas de substances abrasives.
- Protégez la surface contre les objets tranchants.
- Ne placez aucun objet lourd ou tranchant ni aucune boîte de détergent sur la sècheuse. Gardez-le sur le socle acheté ou dans une boîte de rangement séparée. Cela peut égratigner ou endommager le couvercle supérieur de la sècheuse.
- Puisque la sècheuse a une finition brillante, la surface peut être égratignée ou endommagée.
- Évitez d'égratigner ou d'endommager la surface lors de l'utilisation de la sècheuse.

### SYSTÈME D'ÉVACUATION DE LA SÈCHEUSE

- Devrait être inspecté et nettoyé chaque année pour préserver une performance optimale.
- Débranchez le conduit d'évacuation de la sècheuse et du boîtier du ventilateur (au niveau de la sortie d'évacuation) à l'extérieur du bâtiment..
- Vérifiez l'intérieur du conduit et enlevez toute accumulation de charpie.
- Assurez-vous que la charpie est enlevée de la hotte d'évacuation. La charpie peut s'accumuler dans la hotte d'évacuation, ce qui pourrait empêcher les clapets ou les volets de s'ouvrir ou de se fermer complètement.

- Après avoir nettoyé la hotte d'évacuation, vérifiez si les clapets ou les volets bougent librement.
- Réassemblez le conduit et la hotte d'évacuation en vérifiant que les joints sont bien fixés et scellés.
- Mettez la sècheuse en marche et vérifiez que l'air d'évacuation n'est pas obstrué dans l'évent et qu'il n'y a pas de fuite dans le système.
- La hotte d'évacuation extérieure doit être nettoyée plus fréquemment pour assurer un fonctionnement adéquat.

## DÉPANNAGE

### VÉRIFIEZ CES SOLUTIONS SI VOTRE SÈCHEUSE...

Si votre sècheuse éprouve l'un ou l'autre des problèmes suivants, vous pouvez vérifier les solutions ci-dessous avant de passer un appel de service. Cela vous permettra d'économiser du temps et de l'argent.

Problème	Solution
<b>L'appareil ne se met pas en marche</b>	<ul style="list-style-type: none"> <li>• Assurez-vous que la porte est verrouillée.</li> <li>• Assurez-vous que le cordon d'alimentation est branché dans une prise électrique.</li> <li>• Vérifiez le disjoncteur et les fusibles de la résidence.</li> <li>• Appuyez de nouveau sur le bouton Start/Pause (Mise en marche/Pause) si la porte est ouverte pendant le cycle.</li> </ul>
<b>L'appareil ne chauffe pas.</b>	<ul style="list-style-type: none"> <li>• Vérifiez le disjoncteur et les fusibles de la résidence..</li> <li>• Sélectionnez un réglage de température autre qu'Air Fluff (Air froid) et vérifiez que la sélection de température n'est pas réglée à « No Heat » (Aucune chaleur)</li> <li>• Sur une sècheuse à gaz, vérifiez que l'admission de gaz est ouverte.</li> <li>• Nettoyez le filtre à charpie et le conduit d'évacuation.</li> <li>• La sècheuse peut être passée au processus de refroidissement du cycle.</li> </ul>
<b>L'appareil ne sèche pas.</b>	<ul style="list-style-type: none"> <li>• Vérifiez tout ce qui est mentionné ci-haut et ...</li> <li>• Assurez-vous que la hotte d'évacuation à l'extérieur de la maison peut s'ouvrir et se fermer sans problème.</li> <li>• Vérifiez s'il y a une accumulation de charpie dans le système d'évacuation. Les conduits doivent être inspectés et nettoyés chaque année.</li> <li>• Utilisez un conduit d'évacuation rigide en métal de 10,2 cm (4 po).</li> <li>• Ne surchargez pas. 1 brassée de lavage = 1 brassée sèche.</li> <li>• Séparez les articles lourds des articles légers</li> <li>• De grands articles volumineux comme des couvertures ou des douillettes peuvent nécessiter un repositionnement pour assurer un séchage uniforme.</li> <li>• La brassée peut être trop petite pour culbuter correctement. Ajoutez quelques serviettes.</li> </ul>

Problème	Solution
<b>L'appareil est bruyant.</b>	<ul style="list-style-type: none"> <li>• Vérifiez s'il y a des objets comme des pièces de monnaie, des boutons dé cousus, des clous, des fermetures éclair brisées, etc., dans les vêtements. Retirez-les rapidement. Il est normal d'entendre le robinet de gaz ou le cycle de l'élément de façon intermittente pendant le cycle de séchage.</li> <li>• Assurez-vous que la sècheuse est correctement mise à niveau, comme indiqué dans les instructions d'installation.</li> <li>• Il est normal que la sècheuse émette un bourdonnement en raison de la grande vitesse de déplacement d'air dans le tambour et le système d'évacuation.</li> </ul>
<b>Les vêtements sont séchés de façon inégale.</b>	<ul style="list-style-type: none"> <li>• Les coutures, les poches et les autres sections lourdes pourraient ne pas être complètement sèches lorsque le reste de la brassée atteint le niveau de séchage sélectionné. C'est normal. Sélectionnez le réglage Extra Dry (Très sec) si désiré.</li> <li>• Si un article lourd est séché avec une brassée légère, comme une serviette avec des draps, il est possible que l'article lourd ne soit pas complètement sec lorsque le reste de la brassée aura atteint le niveau de séchage sélectionné. Pour de meilleurs résultats de séchage, séchez les articles lourds et les articles légers séparément.</li> </ul>
<b>S'arrête avant que la brassée soit sèche.</b>	<ul style="list-style-type: none"> <li>• Il n'y a pas assez de vêtements dans la sècheuse. Ajoutez plus d'articles ou quelques serviettes et redémarrez le cycle.</li> <li>• Il y a trop de vêtements dans la sècheuse. Retirez certains articles et redémarrez la sècheuse.</li> </ul>
<b>L'appareil dégage une odeur particulière.</b>	<ul style="list-style-type: none"> <li>• Les odeurs domestiques comme la peinture, le vernis, les nettoyants forts, etc. peuvent entrer dans la sècheuse via l'air ambiant. C'est normal puisque la sècheuse aspire l'air de l'espace environnant des emplacements de la sècheuse.</li> <li>• Lorsque ces odeurs restent dans l'air, aérez complètement la pièce avant d'utiliser la sècheuse.</li> </ul>
<b>Les odeurs restent dans les vêtements, même après le rafraîchissement.</b>	<ul style="list-style-type: none"> <li>• Les tissus contenant des odeurs fortes doivent être lavés en utilisant le cycle de lavage désiré.</li> </ul>
<b>Vêtements encore froissés après le cycle de prévention des faux plis</b>	<ul style="list-style-type: none"> <li>• De petites brassées de 1 à 4 articles fonctionnent mieux.</li> <li>• Mettez moins de vêtements. Mettez des vêtements semblables.</li> </ul>
<b>Charpie sur les vêtements</b>	<ul style="list-style-type: none"> <li>• Nettoyez le filtre à charpie avant chaque cycle.</li> <li>• Certains tissus produisent beaucoup de charpie (par exemple, une serviette en coton blanc pelucheux) et doivent être séchés séparément des vêtements qui accumulent la charpie (par exemple, une paire de pantalons en lin noir ajouré).</li> <li>• Divisez les grandes brassées en petites brassées pour le séchage.</li> <li>• Vérifiez bien les poches avant de laver et de sécher des vêtements.</li> </ul>

# CODES D'ERREUR

Code d'erreur	Causes possibles	Solutions
E9	Échec des circuits imprimés.	Appelez le centre de service pour obtenir de l'aide. N'utilisez pas la sècheuse.
E4	Échec du capteur d'humidité.	L'appareil terminera le cycle en cours d'exécution, mais les vêtements pourraient être trop séchés. L'appareil peut toujours fonctionner en utilisant des cycles de durée. Appelez le centre de service pour obtenir de l'aide.
E5	Échec du capteur de température.	Appelez le centre de service pour obtenir de l'aide. N'utilisez pas la sècheuse.

Sécurité de la sècheuse

Exigences de fonctionnement

Composantes et caractéristiques

Instructions d'installation

Utilisation de la sècheuse

Entretien de la sècheuse



















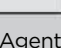


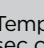








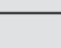




**Dépannage**

Annexe

# ANNEXE

## TABLEAU DES SYMBOLES TEXTILES

Les symboles suivants fournissent des conseils sur l'entretien des vêtements. Les étiquettes d'entretien des vêtements comprennent des symboles pour le lavage, le blanchiment, le séchage, le repassage ou le nettoyage à sec, le cas échéant. L'utilisation de symboles assure une uniformité entre les fabricants d'articles domestiques et importés. Suivez les directives sur les étiquettes d'entretien pour maximiser la durée de vie du vêtement et réduire les problèmes de lavage.

Le cycle de lavage		Instructions spéciales		Symboles d'avertissement pour le lavage	
	Normal		Étendre pour sécher/ Suspendre pour sécher		Ne pas laver
	Permanent Press (Infroissable)/ Wrinkle Control (Anti-froissement)/ Wrinkle Resistant (Résistant aux froissements)/		Séchage par égouttement		Ne pas tordre
	Doux/Délicat		Séchage à plat		Aucun agent de blanchiment
	Hand Wash (Lavage à la main)	Température			Pas de séchage machine
Température de l'eau**			Q élevé		Pas de vapeur (ajouté au fer à repasser)
	Hot (Chaud)		Medium (Moyen)		Pas de repassage
	Warm (Tiède)		Basse	Nettoyage à sec	
	Cold (Froid)		Toutes températures		Nettoyage à sec
Agent de blanchiment			Pas de chaleur/d'air		Pas de nettoyage à sec
	Tout agent de blanchiment (si nécessaire)	Températures de repassage à sec ou à la vapeur			Séchage en suspension
	Seulement du javellisant (au besoin) sans chlore (non-décolorant)		Haute		Séchage par égouttement
	Cycle de séchage machine		Medium (Moyen)		Séchage à plat
Normal			Basse		
	Infroissable/ Résistant aux froissements/ Anti-froissement		Pour les articles en laine lavables à la machine. Les brassées doivent être inférieures à 8 livres.		
	Doux/Délicat				

\*\*Le nombre de points représente les températures de lavage appropriées pour divers articles. Les niveaux de température chaude sont 105-125°F/41-52°C, pour tiède 85-105°F/29-41°C et pour froid 60-85°F/16-29°C.

## GARANTIE LIMITÉE DE 2 ANS

La présente garantie est fournie à l'acheteur au détail initial (« l'acheteur » ou « vous ») par Midea America (Canada) Corp. (« Midea » ou « nous »), qui garantit toutes les pièces de ce produit, comme décrit ci-dessous. Midea garantit ce produit à l'acheteur pour un usage personnel, familial ou domestique. Cette garantie couvre les problèmes de performance et de qualité des matériaux et de la fabrication qui apparaissent dans le cadre d'une utilisation et d'un entretien normaux dans les deux ans suivant la date d'achat. Cette garantie vous donne des droits spécifiques et vous pouvez également bénéficier d'autres droits qui varient d'un État à l'autre.

### LIMITATIONS DE GARANTIE

La présente garantie n'est accordée qu'à l'acheteur initial au détail aux États-Unis ou au Canada et ne peut être transférée à un acheteur ultérieur. Cette garantie ne s'applique pas aux acheteurs de nos produits destinés à être utilisés ou revendus dans une entreprise ; une garantie commerciale distincte peut protéger ces acheteurs.

Cette garantie ne couvre pas les défaillances du produit causées par :

- (a) Les abus, les dommages ou l'utilisation du produit en violation des instructions du produit.
- (b) La modification de tout produit ou pièce.
- (c) Le défaut d'entretien du produit ou de la pièce tel que décrit conformément aux instructions du produit.
- (d) Une installation ou application défectueuse.
- (e) L'utilisation de pièces ou d'accessoires non compatibles avec ce produit.
- (f) Les inondations, incendies, vents, foudre, accidents, atmosphère corrosive ou autres conditions indépendantes de la volonté de Midea.
- (g) L'interruption de l'alimentation électrique ou une alimentation électrique inadéquate.
- (h) Le remplacement des fusibles et le remplacement ou réarmement des disjoncteurs.
- (i) Les conduites d'eau gelées ou cassées, les dégâts d'eau, l'intrusion d'humidité, les moisissures ou autres développements biologiques.
- (j) L'utilisation, la combinaison ou la liaison du produit à d'autres produits, les processus ou matériaux non fournis par Midea.

### RECOURS EN GARANTIE

Si un problème de qualité ou de performance couvert par la présente garantie est découvert pendant la période de garantie, nous réparerons ou remplacerons, à notre choix, le produit en question. Cette garantie est limitée à la réparation ou au remplacement du produit par un réparateur ou un revendeur agréé Midea et ne couvre pas les frais d'expédition, les frais de main-d'œuvre, les droits de douane, les frais de logistique intérieure ou les frais de service, y compris les frais de diagnostic, de retrait, de transport ou de réinstallation. Si nous vous le demandons, vous devez nous retourner le produit.

### EXCLUSION DE GARANTIE ; EXCLUSION DES DOMMAGES

Il s'agit de la seule garantie expresse que nous offrons aux consommateurs sur nos produits. **TOUTE GARANTIE IMPLICITE DE MIDEA, Y COMPRIS, MAIS SANS S'Y LIMITER, LES GARANTIES DE QUALITÉ MARCHANDE ET D'ADÉQUATION À UN USAGE PARTICULIER, EST LIMITÉE À LA DURÉE DE LA PRÉSENTE GARANTIE EXPRESSE.** Certains États et provinces n'autorisent pas l'exclusion des garanties expresses et/ou la limitation de la durée d'une garantie implicite, de sorte que l'exclusion et/ou la limitation susmentionnées peuvent ne pas s'appliquer à vous.

**LE RECOURS DÉCRIT CI-DESSOUS EST LE SEUL QUE NOUS FOURNIRONS, QUE CE SOIT AU TITRE DE LA PRÉSENTE GARANTIE OU DE TOUTE GARANTIE DÉCOULANT DE L'APPLICATION DE LA LOI. NOUS NE SERONS PAS RESPONSABLES DES DOMMAGES INDIRECTS OU ACCESSOIRES RÉSULTANT DE LA VIOLATION DE LA PRÉSENTE GARANTIE OU DE TOUTE AUTRE GARANTIE, QU'ELLE SOIT EXPRESSE OU IMPLICITE, QU'IL S'AGISSE D'UNE NÉGLIGENCE OU D'UN AUTRE DÉLIT OU D'UNE THÉORIE DE LA RESPONSABILITÉ STRICTE, Y COMPRIS, MAIS SANS S'Y LIMITER, LES PERTES DE**

**BÉNÉFICES.** Certains États n'autorisent pas l'exclusion ou la limitation des dommages accessoires ou indirects, de sorte que l'exclusion ci-dessus peut ne pas s'appliquer à vous.

## PROCESSUS DE RÉCLAMATION AU TITRE DE LA GARANTIE

Pour plus d'informations ou pour faire une réclamation en vertu de la garantie, veuillez consulter le site :

<https://www.midea.com/ca/support>

Ou veuillez nous contacter par :

Telephone: 1-888-365-2230

Email: [CanadaSupport@midea.com](mailto:CanadaSupport@midea.com)

Vous devez être en possession de votre facture, du bon de livraison ou d'une preuve d'achat appropriée pour introduire une réclamation en vertu de la garantie. La date d'achat détermine la période de garantie si une intervention est nécessaire.

## RÈGLEMENT DES LITIGES

### CLAUSE D'ARBITRAGE. IMPORTANT. VEUILLEZ PRENDRE CONNAISSANCE DE CETTE CLAUSE D'ARBITRAGE. ELLE AFFECTE VOS DROITS LÉGAUX.

- (a) *Les parties* : La présente clause d'arbitrage (la « clause d'arbitrage ») affecte vos droits à l'encontre de Midea et de ses sociétés affiliées, employés, agents, successeurs ou ayants droit, qui sont tous désignés ci-après par les termes « nous » ou « notre » pour des raisons de commodité.
- (b) **EXIGENCE D'ARBITRAGE : SAUF INDICATION CONTRAIRE CI-DESSOUS, TOUT LITIGE ENTRE VOUS ET L'UN D'ENTRE NOUS SERA TRANCHÉ PAR UN ARBITRAGE NEUTRE ET CONTRAIGNANT PLUTÔT QUE PAR UN TRIBUNAL OU UN PROCÈS AVEC JURY.** Le terme « litige » sera interprété dans le sens le plus large possible autorisé par la loi. Cela inclut tout litige, réclamation ou controverse découlant de ou lié à votre achat de ce produit, à toute garantie sur le produit ou à l'état du produit. Elle comprend également la détermination de la portée ou de l'applicabilité de la présente clause d'arbitrage. L'exigence d'arbitrage s'applique aux réclamations contractuelles et délictuelles, en vertu d'une loi ou autrement.
- (c) **RENONCIATION À L'ARBITRAGE COLLECTIF : L'ARBITRAGE EST TRAITÉ AU CAS PAR CAS. SI UN LITIGE FAIT L'OBJET D'UN ARBITRAGE, VOUS ET NOUS RENONÇONS EXPRESSÉMENT À TOUT DROIT DE PARTICIPER EN TANT QUE REPRÉSENTANT OU MEMBRE D'UN GROUPE À TOUTE RÉCLAMATION COLLECTIVE QUE VOUS POURRIEZ AVOIR CONTRE NOUS OU QUE NOUS POURRIONS AVOIR CONTRE VOUS, OU EN TANT QUE PROCUREUR GÉNÉRAL PRIVÉ OU À TOUT AUTRE TITRE REPRÉSENTATIF, DANS LES LIMITES MAXIMALES AUTORISÉES PAR LA LOI. VOUS ET NOUS RENONÇONS ÉGALEMENT À TOUT DROIT À L'ARBITRAGE COLLECTIF OU À TOUTE CONSOLIDATION D'ARBITRAGES INDIVIDUELS.**
- (d) *Découverte et autres droits* : Les enquêtes et les droits de recours dans le cadre d'un arbitrage sont généralement plus limités que dans le cadre d'un procès. Cela s'applique à vous comme à nous. D'autres droits que vous ou nous aurions devant un tribunal peuvent ne pas être disponibles dans le cadre de l'arbitrage. Veuillez lire cette clause d'arbitrage et consulter les règles des organisations d'arbitrage énumérées ci-dessous pour plus d'informations.
- (e) **OPTION DU TRIBUNAL DES PETITES CRÉANCES : VOUS POUVEZ CHOISIR DE SOUMETTRE TOUT LITIGE ENTRE VOUS ET L'UN D'ENTRE NOUS AU TRIBUNAL DES PETITES CRÉANCES, PLUTÔT QU'À L'ARBITRAGE, SI LE LITIGE REMPLIT TOUTES LES CONDITIONS REQUISES POUR ÊTRE ENTENDU PAR LE TRIBUNAL DES PETITES CRÉANCES.**

- (f) *Droit applicable* : Pour les résidents des États-Unis, les procédures et les effets de l'arbitrage seront régis par la loi fédérale sur l'arbitrage (9 U.S.C. § 1 et seq.) plutôt que par la législation de l'État concernant l'arbitrage. Pour les résidents du Canada, les procédures et les effets de l'arbitrage seront régis par la loi d'arbitrage applicable dans la province où vous avez acheté votre produit. La loi régissant vos droits de garantie substantielle et autres réclamations sera la loi de l'État ou de la province dans laquelle vous avez acheté votre produit. Tout tribunal compétent peut statuer sur la sentence arbitrale.
- (g) *Règles d'arbitrage* : Si le montant en litige est inférieur à 250 000 dollars, l'arbitrage sera tranché par un seul arbitre. Si le montant en litige est supérieur ou égal à 250 000 dollars, l'arbitrage sera tranché par un panel de trois arbitres. Le(s) arbitre(s) sera(ont) choisi(s) conformément aux règles de l'organisation d'arbitrage responsable. Les résidents des États-Unis peuvent choisir JAMS (1920 Main Street, Ste. 300, Irvine, CA 92614, [www.jamsadr.com](http://www.jamsadr.com)) ou, sous réserve de notre approbation, toute autre organisation d'arbitrage. En outre, les résidents canadiens peuvent choisir l'ADR Institute of Canada (234 Eglinton Ave. East, Suite 405, Toronto, Ontario, M4P 1K5, [www.amic.org](http://www.amic.org)). Les règles de ces organisations peuvent être obtenues en contactant l'organisation ou en visitant son site web. Si les règles de l'organisation d'arbitrage choisie sont en conflit avec la présente clause d'arbitrage, les dispositions de la présente clause d'arbitrage prévalent. La sentence de l'arbitre ou des arbitres est définitive et contraignante pour toutes les parties.
- (h) *Lieu de l'audience d'arbitrage* : Sauf disposition contraire de la législation applicable, l'audience d'arbitrage pour les résidents des États-Unis se déroulera dans le district judiciaire fédéral dans lequel vous résidez (dans votre ville d'origine) ou, pour les résidents du Canada, dans la province dans laquelle vous résidez et, si vous le souhaitez, en personne.
- (i) *Frais de l'arbitrage* : Chaque partie est responsable de ses propres frais d'avocat, d'expert et autres frais et honoraires, sauf si la loi applicable en dispose autrement. Nonobstant la phrase précédente, et à moins que la loi applicable n'en dispose autrement, si vous êtes un consommateur en vertu des règles JAMS ou des règles d'un autre administrateur d'arbitrage convenu, Midea vous paiera ou vous remboursera tous les frais ou coûts raisonnables dans la mesure requise par la loi ou par les règles de l'administrateur d'arbitrage applicable. Que la loi ou ces règles l'exigent ou non, si vous obtenez gain de cause lors de l'arbitrage sur toute réclamation à l'encontre de Midea, Midea vous remboursera tous les frais raisonnables payés à l'administrateur de l'arbitrage dans le cadre de la procédure d'arbitrage. En aucun cas, Midea ne vous demandera le paiement ou le remboursement des frais raisonnables qu'elle encourt dans le cadre de l'arbitrage. Si vous êtes tenu d'avancer des frais ou des coûts à JAMS ou à un autre administrateur d'arbitrage convenu, mais que vous demandez à Midea de le faire à votre place, Midea examinera votre demande et y répondra.
- (j) *Survie et applicabilité de la présente clause d'arbitrage* : La présente clause d'arbitrage survivra à l'expiration ou à la résiliation, ou à tout transfert, de la garantie de votre produit. Si une partie de la présente clause d'arbitrage, à l'exception des renoncements aux droits de recours collectif, est jugée inapplicable pour quelque raison que ce soit, le reste de la présente clause et la garantie resteront applicables. Si, dans un cas où des allégations de recours collectif ont été formulées, la renonciation aux droits de recours collectif au titre de la présente garantie est jugée inapplicable en ce qui concerne toute partie du litige, les parties du litige pour lesquelles la renonciation aux droits de recours collectif a été jugée inapplicable seront dissociées et feront l'objet d'une procédure judiciaire sans référence ni application de la présente clause d'arbitrage. Les parties restantes seront soumises à l'arbitrage.

## RÉSIDENTS DU QUÉBEC

Les dispositions d'arbitrage de la présente garantie ne s'appliquent pas aux résidents du Québec.



*make yourself at home*