



CUBE SMART DEHUMIDIFIER

35 Pints/Day | Model # MC35MWKBA3RCM

3 times Larger Capacity

Go longer without emptying

Intelligent Alerts via App

Ultra-Sonic Water Sensor tells you when bucket needs emptying

Versatile, No-Bucket Option

Detach from bucket and place directly over a sink or drain

Adjustable Tank Volume (1-4 Gallons)

Perfect if you like emptying a lighter bucket

Voice Control

With Google Assistant and Amazon Alexa

Warranty on appliances: one-year in-home service by calling 1-866-646-4332.

CUBE Smart Dehumidifier

Model # MC35MWKBA3RCM

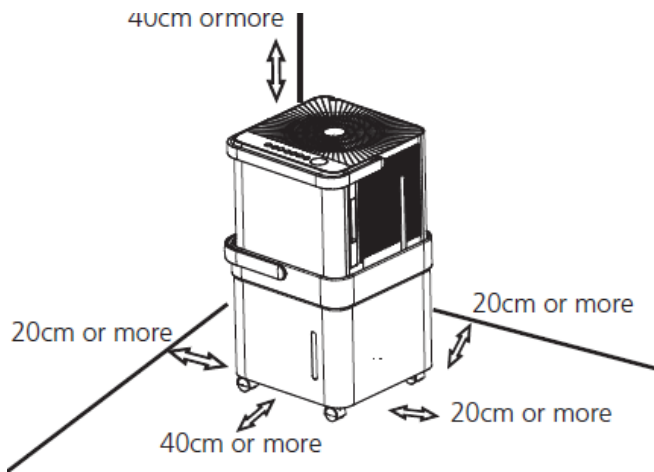
SPECIFICATIONS

Power supply	Voltage type °C		115V, 1Ph
	Supply frequency °C		60Hz
	Rated input (30 /80%) °C	W	345
	Moisture removal (18.3/13.7)	Pints/Day	35.08
	Rated input (18.3/13.7) °C	W	345
	Rated current (18.3/13.7)	A	3.1
	Rated IEF (18.3/13.7)	L/kWh	1.9
Max. Input consumption	Max. Input consumption	W	700
Max. Current	Max. Current	A	6.8
Starting current	Starting current	A	20
Plug type	Plug type		SP007
	Power cord type		16#x3
Control type	Control type		Electronic Control
System data	Air flow (Hi)	m3/h	320
	Air flow (Lo)	m3/h	270
	Front side sound pressure level(Hi)	dB(A)	45
	Front side sound pressure level(Lo)	dB(A)	42.5
	Rear side sound pressure level(Hi)	dB(A)	49
	Four sides sound pressure level(Hi)	dB(A)	49
	Standby power consumption	W	1
	Water tank volume	L	16
Applicable ambient	RH Range manual	%	35-85
	Ambient temp		5-32
Refrigerant	Refrigerant type		R410A
Design pressure	Suction design pressure(US)	psi	300
	Discharge design pressure(US)	psi	540
Dimension(W*D*H)	Body_Length(W)	mm	375
	Body_Width(D)	mm	367
	Body_Height(H)	mm	370
Packing(W*D*H)	Packing_Width(W)	mm	408
	Packing_Depth(D)	mm	385
	Packing_Height(H)	mm	432
Net/Gross weight	Net weight	Kg	18.6
	Gross weight	Kg	20.06

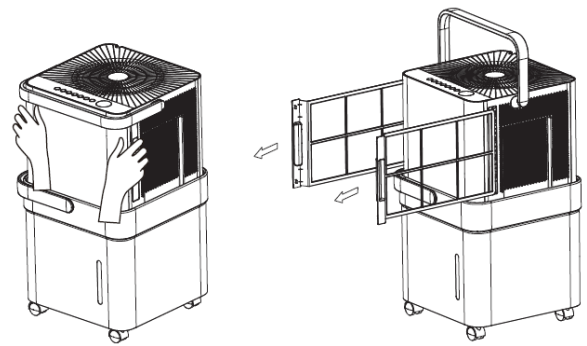
CUBE Smart Dehumidifier

Model MC35MWKBA3RCM

How to position the unit



How to clean the filter



Installation Instructions

