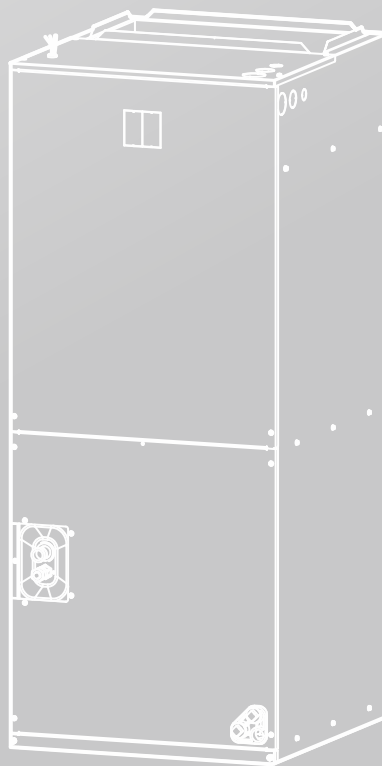


INSTALLER'S GUIDE

CONDENSING UNITS

High Efficiency Air Handlers
2-5Tons
R410a



Thank you very much for purchasing our product.

Before using your unit, please read this manual carefully and keep it for future reference.

The figure shown in this manual is for reference only and may be slightly different from the actual product.





RECOGNIZE THIS SYMBOL AS AN INDICATION OF IMPORTANT SAFETY INFORMATION

⚠ WARNING

These instructions are intended as an aid to qualified licensed service personnel for proper installation, adjustment and operation of this unit. Read these instructions thoroughly before attempting installation or operation. Failure to follow these instructions may result in improper installation, adjustment, service or maintenance possibly resulting in fire, electrical shock, property damage, personal injury or death.

⚠ WARNING

This appliance is not intended for use by persons (including children) with reduced physical, sensory or mental capabilities, or lack of experience and knowledge, unless they have been given supervision or instruction concerning use of the appliance by a person responsible for their safety.

Children should be supervised to ensure that they do not play with the appliance. This unit can't be used outdoor.

⚠ WARNING

Proposition 65: This appliance contains fiberglass insulation. Respirable particles of fiberglass are known to the state of California to cause cancer. For more information, go to www.P65Warnings.ca.gov."

Air Handler Features

- Multi-speed blower motor.
- Replace piston to TXV easily.
- Multi-position installation - upflow or horizontal right standard; field convertible to horizontal left or downflow.
- Multiple electrical entry locations.
- Field-installed electric heater kits 5, 7.5, 10, 15, 20 kW available as an accessory.
- Dual front panel design for ease of maintenance.
- Blower and coil easy slide out for ease of maintenance.
- Fully-insulated cabinet design.
- Horizontal and vertical condensate drain pans standard.
- Condensate drain pan is polymer with UVC inhibitor.
- Primary and secondary condensate drain fittings.
- Factory-sealed cabinet certified to achieve 2% or less air leakage rate at 1.0 inch water column.
- Integrated filter rack with tool-less door access.
- AHRI and ETL listed.

CONTENTS

1 SAFETY	01
2 GENERAL	
• 2.1 Unit Dimensions	04
3 APPLICATIONS	
• 3.1 Vertical Upflow	05
• 3.2 Vertical Downflow	05
• 3.3 Horizontal	05
• 3.4 Installation In An Unconditioned Space	07
4 ELECTRICAL WIRING	
• 4.1 Power Wiring	07
• 4.2 Control Wiring	07
• 4.3 Grounding	07
• 4.4 Electrical Data	08
• 4.5 Electric Kit Mca/mop Data	08
5 AIRFLOW PERFORMANCE (AIR HANDLERS ARE SUITABLE FOR MOBILE HOME APPLICATIONS)	08
6 DUCTWORK	11
7 REFRIGERANT CONNECTIONS	
• 7.1 Condensate Drain Tubing	12
8 AIR FILTER (not factory-installed)	12
9 FILTER INSTALLATION DIMENSIONS	13
10 WIRING DIAGRAM	
• 10.1 For 24/36/60 Model	14
• 10.1 For 61 Model	17
11 PISTION/TXV INSTALLATION	20

This document is customer property and is to remain with this unit.

These instructions do not cover all the different variations systems nor does it provide for every possible contingency to be met in connection with installation.

All phases of this installation must comply with national state and local codes. If additional information is required, please contact your local distributor.

1 SAFETY



This is a safety alert symbol. When you see this symbol on labels or in manuals, be alert to the potential for personal injury.



This is an attention alert symbol. When you see this symbol on labels or in manuals, be alert to the potential for personal injury.

WARNING

Disconnect all power to unit before installing or servicing. More than one disconnect switch may be required to de-energize the equipment. Hazardous voltage can cause severe personal injury or death.

WARNING

If removal of the blower assembly is required, all disconnect switches supplying power to the equipment must be de-energized and locked (if not in sight of unit) so the field power wires can be safely removed from the blower assembly. Failure to do so can cause electrical shock resulting in personal injury or death.

WARNING

Because of possible damage to equipment or personal injury, installation, service, and maintenance should be performed by a trained, qualified service personnel. Consumer service is recommended only for filter cleaning/ replacement. Never operate the unit with the access panels removed.

WARNING

These instructions are intended as an aid to qualified, licensed service personnel for proper installation, adjustment and operation of this unit. Read these instructions thoroughly before attempting installation or operation. Failure to follow these instructions may result in improper installation, adjustment, service or maintenance possibly resulting in fire, electrical shock, property damage, personal injury or death.

WARNING

The unit must be permanently grounded. Failure to do so can result in electrical shock causing personal injury or death.

WARNING

PROPOSITION 65: This appliance contains fiberglass insulation. Respirable particles of fiberglass are known to State of California to cause cancer.

All manufacturer products meet current federal OSHA Guidelines for safety. California Proposition 65 warnings are required for certain products, which are not covered by the OSHA standards.

California's Proposition 65 requires warnings for products sold in California that contain or produce any of over 600 listed chemicals known to the State of California to cause cancer or birth defects such as fiberglass insulation, lead in brass, and combustion products from natural vapor.

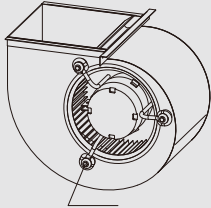
All "new equipment" shipped for sale in California will have labels stating that the product contains and/or produces Proposition 65 chemicals. Although we have not changed our processes, having the same label on all our products facilitates manufacturing and shipping. We cannot always know "when, or if" products will be sold in the California market.

You may receive inquiries from customers about chemicals found in, or produced by, some of our heating and air-conditioning equipment, or found in natural vapor used with some of our products. Listed below are those chemicals and substances commonly associated with similar equipment in our industry and other manufacturers.

Glass Wool (Fiberglass) Insulation
Carbon Monoxide (CO)
Formaldehyde
Benzene

More details are available at the websites for OSHA (Occupational Safety and Health Administration), at www.osha.gov and the State of California's OEHHA (Office of Environmental Health Hazard Assessment), at www.oehha.org. Consumer education is important since the chemicals and substances on the list are found in our daily lives. Most consumers are aware that products present safety and health risks, when improperly used, handled and maintained.

⚠ CAUTION



Make sure the blower motor support is tight (3-motor mount bolts), then check to see if wheel is secured to motor shaft before operating unit.

BLOWER MOTOR SHIPPING BOLT

Fig.1-1 CHECKING MOTOR FIX STATUS

⚠ WARNING

The first 6 inches of supply air plenum and ductwork must be constructed of sheet metal as required by NFPA 90B. The supply air plenum or duct must have a solid sheet metal bottom directly under the unit with no openings, registers or flexible air ducts located in it. If flexible supply air ducts are used, they may be located only in the vertical walls of rectangular plenum, a minimum of 6 inches from the solid bottom. Metal plenum or duct may be connected to the combustible floor base, if not, it must be connected to the unit supply duct exposed to the supply air opening from the downflow unit. Exposing combustible (non-metal) material to the supply opening of a downflow unit can cause a fire resulting in property damage, personal injury or death.

Exception warning to downflow:
Installations on concrete floor slab with supply air plenum and ductwork completely encased must be not less than 2 inches of concrete (See NFPA 90A).

2 GENERAL

The unit can be positioned for bottom return air in the upflow position, left and right return in the horizontal position, top return in downflow position.

This Air Handler provides the flexibility for installation in any upflow or downflow horizontal application. The direct drive motors provide a selection of air volume to match any application. 3-Speed motors provide selections of air flow to meet desired applications.

Top and side power and control wiring, accessible screw terminals for control wiring all combine to make the installation easy, and minimize installation cost. See Fig.2-5.

Do not install unit in an area where flammable materials are present due to the risk of an explosion resulting in serious injury or death.

⚠ WARNING

If the supporting structural members are not strong enough to take the unit's weight, the unit could fall out of place and cause serious injury. If a return-air duct is not installed, carefully select the place and method of product installation so that air flow into the product will not be blocked.

The unit should be installed in a level position to ensure proper condensation drainage. Up to an additional ¼" rise over the width or depth of the unit is allowed to create additional sloping towards the drain. Unit must be positioned between level and ¼" rise, sloping toward the drain connections.

Install the indoor and outdoor unit, power supply wiring and connecting wires at least 3.5 ft. away from televisions or radios in order to prevent image interference or noise.

See Fig.2-1 and Fig.2-2.

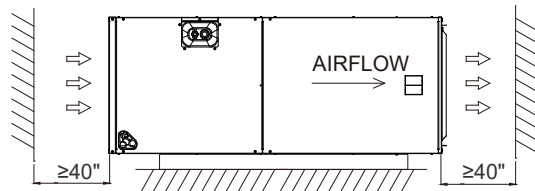


Fig.2-1 CLEARANCES IN THE HORIZONTAL POSITION

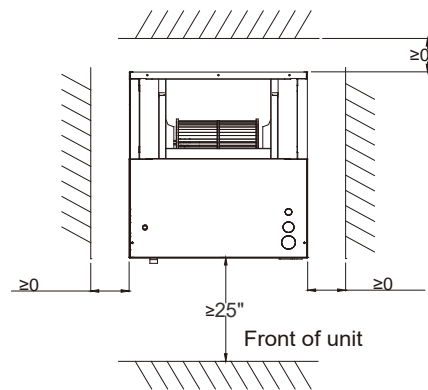


Fig.2-2 CLEARANCES IN THE VERTICAL POSITION

When the unit is installed in a hot and humid place, If the humidity inside the installation space might exceed 86°F and RH 80%, it is recommended to insulate the cabinet exterior. Use glass wool or polyethylene foam as insulation so that the thickness is more than 2 in. and fits inside the installation space opening. Respectively, condensation may form on the surface of the insulation. Be sure to use insulation that is designed for use with HVAC Systems.

Condensation may form on the product during cool operation. It is also recommended to use the second drain pan and secure the unit firmly to prevent it from falling. See Fig.2-3 and Fig.2-4 .

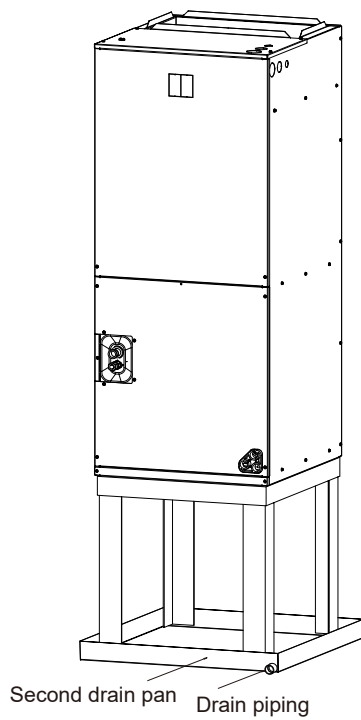


Fig.2-3 INSTALLED VERTICALLY

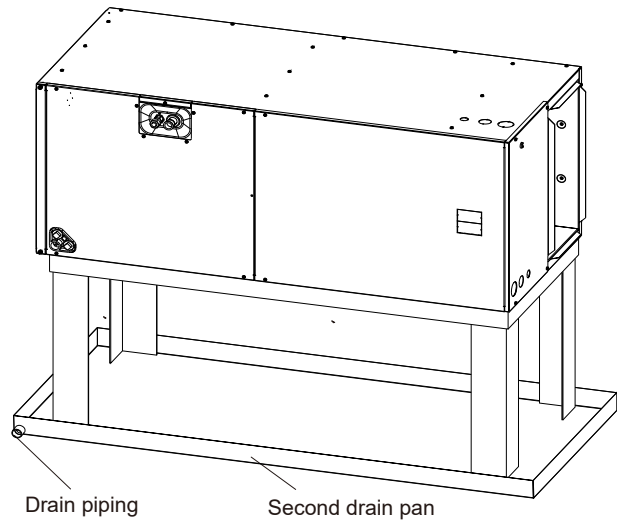
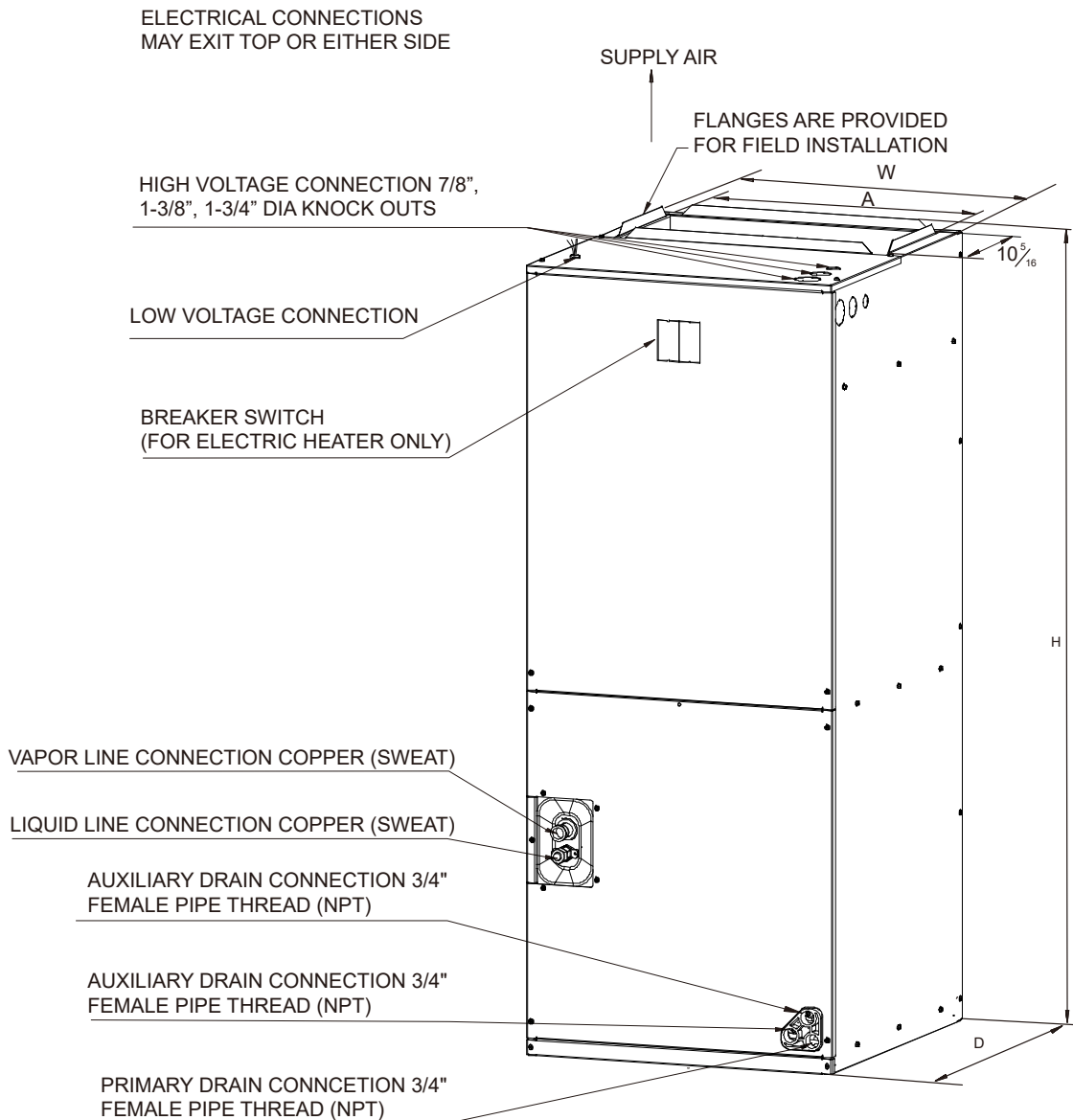


Fig.2-4 INSTALLED HORIZONTALLY

2.1 Unit Dimensions

NOTE: 25" CLEARANCE IS REQUIRED IN THE FRONT OF THE UNIT FOR FILTER AND COIL MAINTENANCE.



UPFLOW UNIT SHOWN;
UNIT MAY BE INSTALLED UPFLOW, DOWNFLOW,
HORIZONTAL RIGHT OR LEFT AIR SUPPLY.

Fig.2-5 DIMENSIONS

DIMENSIONAL DATA

MODEL SIZE	UNIT HEIGHT "H" IN. [mm]	UNIT WIDTH "W" IN. [mm]	UNIT LENGTH "D" IN. [mm]	SUPPLY DUCT "A"	UNIT WEIGHT (LBS.[kg])
24	41-3/8"[1050]	18-1/8"[460]	20-1/2"[520]	16"[406]	99/[45]
36	46-1/2"[1180]	19-5/8"[500]	21-5/8"[550]	18"[456]	121/[55]
60	54-1/2"[1385]	22"[560]	24"[610]	19-1/2"[496]	152/[69]
61	54-1/2"[1385]	22"[560]	24"[610]	19-1/2"[496]	159/[72]

Table 2-1

3 APPLICATIONS

3.1 Vertical Upflow

Vertical Upflow configuration is the factory set on all models. See Fig.2-5.

If return air is to be ducted, install duct flush with floor. Use fireproof resilient gasket 1/8 to 1/4 in. thick between the ducts, unit and floor. Set unit on floor over opening.

IMPORTANT NOTE

Torque applied to drain connections should not exceed 15ft.lbs. See Fig.2-5 & 3-1.

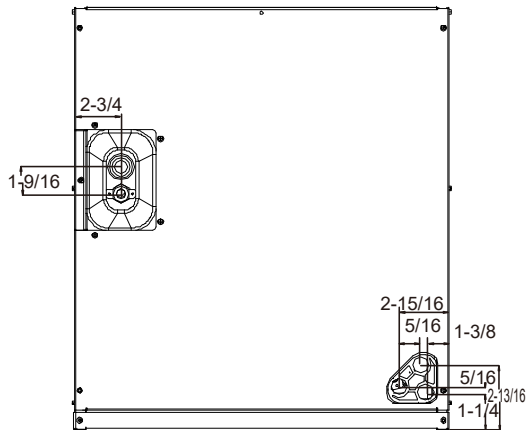


Fig.3-1 DIMENSIONS FOR FRONT CONNECT COIL

3.2 Vertical Downflow

Conversion to Vertical Downflow: A vertical upflow unit may be converted to vertical downflow. Remove the door and indoor coil and reinstall 180° from original position. See Fig.3-2.

IMPORTANT: To comply with certification agencies and the National Electric Code for downflow application, the circuit breaker(s) on field-installed electric heater kits must be re-installed per procedure below so that the breaker switch “on” position and marking is up and, “off” position and marking is down.

- To rotate breaker(s): Rotate one breaker set (circuit) at a time starting with the one on the right. Loosen both lugs on the load side of the breaker. (Make sure that wires are identified and are reinstalled into proper breaker). Wires are bundled with wire ties, one bundle going to the right lug and one bundle going to the left lug.
- Using a screwdriver or pencil, lift white plastic tab with hole away from breaker until breaker releases from mounting opening.
- With breaker held in hand, rotate breaker so that “on” position is up, “off” position is down with unit in planned vertical mounting position. Insert right wire bundle into top right breaker lug, ensuring all strands of all wires are inserted fully into lug, and no wire insulation is in lug.
- Tighten lug as tight as possible while holding circuit breaker. Check wires and make sure each wire is secure and none are loose. Repeat for left wire bundle in left top circuit breaker lug.

- Replace breaker by inserting breaker mounting tab opposite white pull tab in opening, hook mounting tab over edge in opening.
- With a screwdriver or pencil, pull the blue tab with hole away from breaker while setting that side of breaker into opening. When breaker is in place, release tab, locking circuit breaker into location in opening.
- Repeat above operation for remaining breaker(s) (if more than one is provided).
- Replace single point wiring jumper bar, if it is used, on line side of breaker and tighten securely.
- Double check wires and lugs to make sure all are secure and tight. Check to make sure unit wiring to circuit breaker load lugs match that shown on the unit wiring diagram.

CAUTION

When using the unit with electrical heater, the switch is used only for electrical heater on the front of panel.

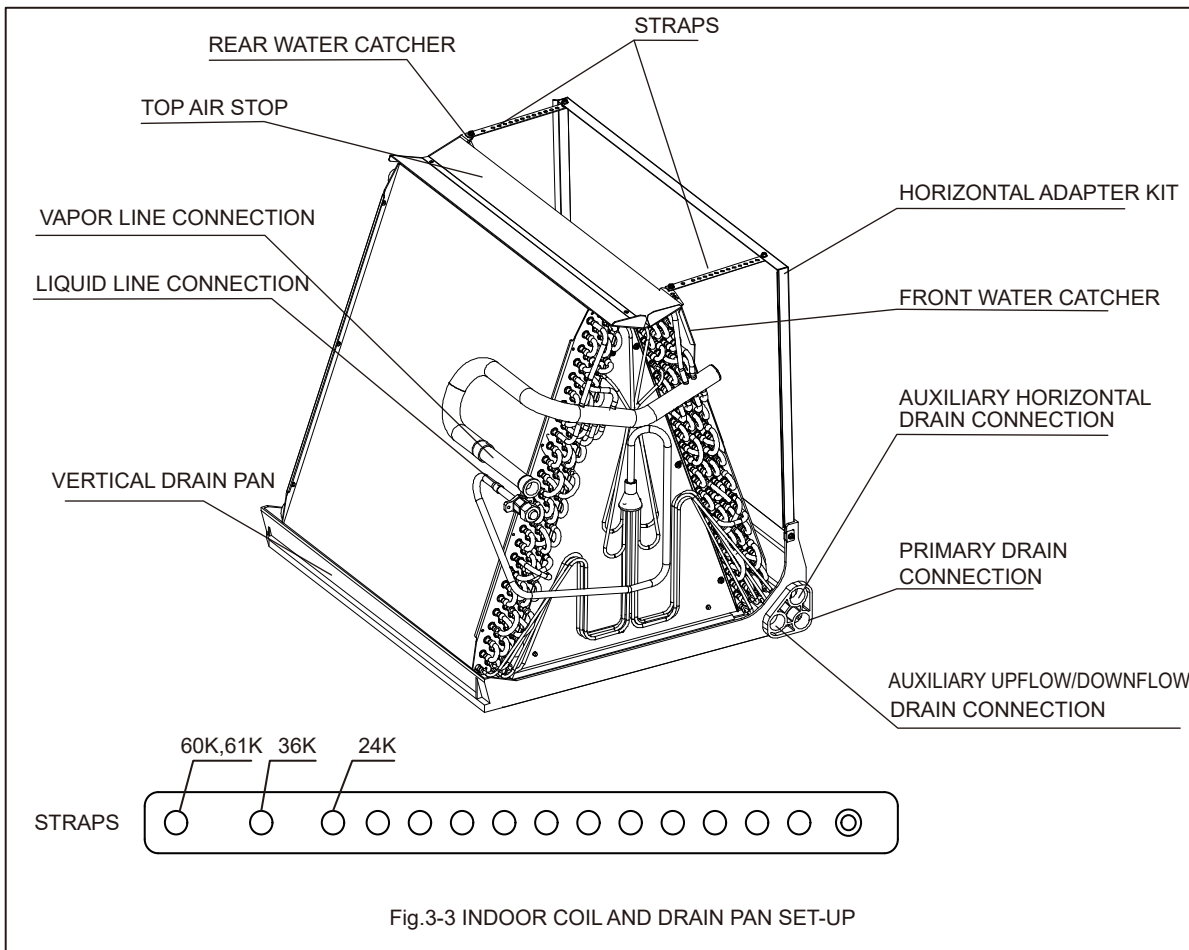
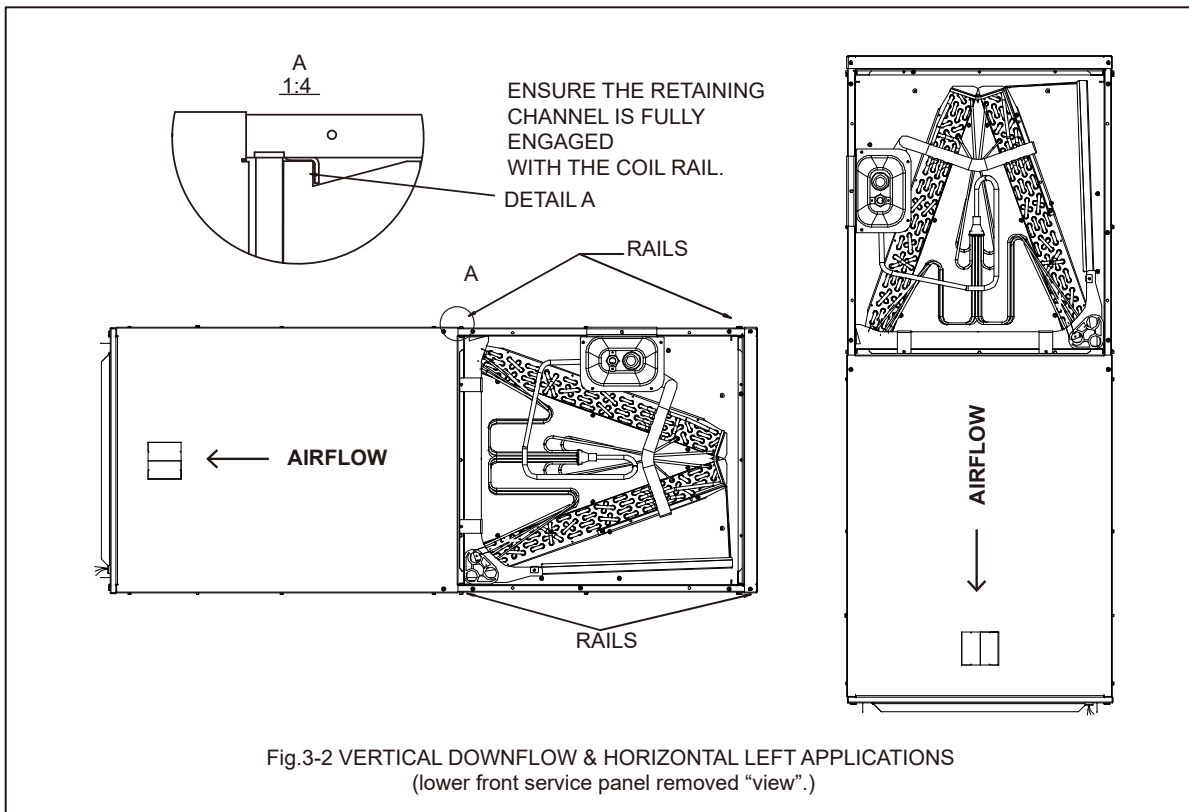
3.3 Horizontal

Horizontal right is the default factory configuration for the units.

Horizontal left isn't the default factory configuration for the units.

Conversion to Horizontal left: A vertical upflow unit may be converted to horizontal left by removing indoor coil assembly and reinstalling coil as shown for left hand air supply.

- Rotate unit into the downflow position, with the coil compartment on top and the blower compartment on bottom. See Fig. 3-2.
- Reinstall the indoor coil 180° from original position. Ensure the retaining channel is fully engaged with the coil rail. See Fig. 3-2.
- Secondary drain pan kits are recommended when the unit is configured for the horizontal position over a finished ceiling and/or living space.



CAUTION

Horizontal units must be configured for right hand air supply or left hand air supply. Horizontal drain pan must be located under indoor coil. Failure to use the drain pan can result in property damage.

Conversion in Horizontal Direction: Horizontal right-hand supply can be changed to horizontal left-hand supply by removing the indoor coil and reinstalling 180° from original.

3.4 Installation In An Unconditioned Space

IMPORTANT: There are two pairs of coil rails in the air handler for default and counter flow application. If the air handler is installed in an unconditioned space, the two unused coil rails should be removed to minimize air handler surface sweating. The coil rails can be easily removed by taking off the 6 mounting screws from both sides of the cabinet.

4. ELECTRICAL WIRING

Field wiring must comply with the National Electric Code (C.E.C. in Canada) and any applicable local ordinance.

WARNING

Disconnect all power to unit before installing or servicing. More than one disconnect switch may be required to de-energize the equipment. Hazardous voltage can cause severe personal injury or death.

4.1 Power Wiring

It is important that proper electrical power is available for connection to the unit model being installed. See the unit nameplate, wiring diagram and electrical data in the installation instructions.

- If required, install a branch circuit disconnect of adequate size, located within sight of, and readily accessible to the unit.
- **IMPORTANT:** After the Electric Heater is installed, units may be equipped with one two or three 30-60 amp. circuit breakers. These breaker(s) protect the internal wiring in the event of a short circuit and serve as a disconnect. Circuit breakers installed within the unit do not provide over-current protection of the supply wiring and therefore may be sized larger than the branch circuit protection.
- Supply circuit power wiring must be 75°C minimum copper conductors only. See Electrical Data in this section for ampacity, wire size and circuit protector requirement. Supply circuit protective devices may be either fuses or "HACR" type circuit breakers.

- Power wiring may be connected to either the right, left side or top. Three 7/8", 1-3/8", 1-3/4" dia. concentric knockouts are provided for connection of power wiring to unit.
- Power wiring is connected to the power terminal block in unit electric cabinet.

4.2 Control Wiring

IMPORTANT: Class 2 low voltage control wiring should not be run in conduit with main power wiring and must be separated from power wiring, unless class 1 wire of proper voltage rating is used.

- Low voltage control wiring should be 18 Awg. color-coded. For lengths longer than 100 ft., 16 Awg. wire should be used.
- Low voltage control connections are made to low voltage pigtails extending from top of air handler (upflow position - see Fig 2-2).
- Connections for control wiring are made with wire nuts. Control wiring knockouts (5/8" and 7/8") are also provided on the right and left side of the unit for side connection.
- See wiring diagrams attached to indoor and outdoor sections to be connected.
- Make sure, after installation, separation of control wiring and power wiring has been maintained.

4.3 Grounding

WARNING

The unit must be permanently grounded. Failure to do so can result in electrical shock causing personal injury or death.

- Grounding may be accomplished by grounding metal conduit when installed in accordance with electrical codes to the unit cabinet.
- Grounding may also be accomplished by attaching ground wire(s) to ground lug(s) provided in the unit wiring compartment.
- Ground lug(s) are located close to wire entrance on left side of unit (up-flow). Lug(s) may be moved to marked locations near wire entrance on right side of unit (up-flow). If alternate location is more convenient.
- Use of multiple supply circuits require grounding of each circuit to lug(s) provided in unit.

4.4 Electrical Data

MODEL	VOLTAGE	HERTZ	HP	SPEEDS	CIRCUIT AMPS.	MAXIMUM CIRCUIT PROTECTOR
24	208/230	60	1/3	5	2.6	15(A)
36	208/230	60	1/2	5	3.0	15(A)
60/61	208/230	60	3/4	5	4.5	15(A)

4.5 Electric Kit Mca/Mop Data

Heater Kit Model Used	Air Handler Model	Electric Heat (kW)	Min. Circuit Ampacity		Max. Fuse or Breaker (HACR) Ampacity		Minimum Heating Blower Speed				
			240V	208V	240V	208V	1	2	3	4	5
EHK-05A	24	5	29	25.5	30	30	●	●	●	●	●
EHK-08A		7.5	42	36.8	45	40	X	X	●	●	●
EHK-10A		10	55	48.1	60	50	X	X	●	●	●
EHK-05A	36	5	29.4	25.9	30	30	●	●	●	●	●
EHK-08A		7.5	42.4	37.2	45	40	X	●	●	●	●
EHK-10A		10	55.4	48.5	60	50	X	X	●	●	●
EHK-15B	60/61	15	55.4/26.1	48.5/22.6	60/30	50/25	X	X	●	●	●
EHK-20B		20	55.4/52.1	48.5/45.2	60/60	60/50	X	X	X	●	●
EHK-05A		5	31.8	28.3	35	30	X	X	●	●	●
EHK-08A	60/61	7.5	44.8	39.6	45	40	X	X	●	●	●
EHK-10A		10	57.8	50.9	60	60	X	X	●	●	●
EHK-15B		15	57.8/26.1	50.9/22.6	60/30	60/25	X	X	●	●	●
EHK-20B	20	57.8/52.1	50.9/45.2	60/60	60/50	X	X	X	●	●	

Heat kit suitable for AHU 4-way position installation.

Ampacities for MCA and Fuse/breaker including the blower motor.

Heat pump systems require a specified airflow. Each ton of cooling requires between 350 and 450 cubic feet of air per minute (CFM), or 400 CFM nominally.

Electric Heater Kits

NO.	Kit	Description	Ref. Air Handler Use
1	EHK-05A	5kW Heat Strip	24/36/60/61
2	EHK-08A	7.5kW Heat Strip	24/36/60/61
3	EHK-10A	10kW Heat Strip	24/36/60/61
4	EHK-15B	15kW Heat Strip, double Breaker panel	36/60/61
5	EHK-20B	20kW Heat Strip, double Breaker panel	36/60/61

NOTE: HEATER MODEL NUMBER DIGITS "***" : A,B

5. AIRFLOW PERFORMANCE (AMERISTAR AIR HANDLERS ARE SUITABLE FOR MOBILE HOME APPLICATIONS)

Airflow performance data is based on cooling performance with a coil and no filter in place. Select performance table for appropriate unit size.

External static applied to unit allows operation within the minimum and maximum limits shown in table below for both cooling and electric heat operation.

AIRFLOW PERFORMANCE DATA

Air Handler Model	Outdoor Unit Size(Tons)	Motor Speed		CFM Wet Coil without filter and Electric Heat									
				External Static Pressure-Inches W.C.[kPa]									
				0[0]	0.1[0.025]	0.2[0.050]	0.3[0.075]	0.4[0.100]	0.5[0.125]	0.6[0.150]	0.7[0.175]	0.8[0.200]	
24	1.5	1	SCFM	590	544	511	447	404	345	311	273	239	
			Power/W	49	57	64	70	75	82	91	97	102	
			Current/A	0.77	0.81	0.84	0.87	0.91	0.94	0.99	1.02	1.11	
		2	SCFM	681	633	591	535	490	446	388	354	313	
			Power/W	63	69	77	83	90	96	103	111	118	
			Current/A	0.84	0.87	0.93	0.96	0.99	1.03	1.07	1.13	1.16	
		3 (Recommended)	SCFM	788	736	687	648	597	558	511	473	429	
			Power/W	86	91	100	108	114	121	128	133	142	
			Current/A	0.95	0.99	1.11	1.14	1.18	1.21	1.26	1.31	1.37	
		4 (Factory Default)	SCFM	883	842	796	758	717	681	642	599	524	
			Power/W	121	128	135	144	151	159	165	173	181	
			Current/A	1.21	1.28	1.32	1.38	1.43	1.47	1.54	1.59	1.64	
		5	SCFM	1103	1073	1036	998	967	934	896	855	814	
			Power/W	233	241	249	258	265	275	281	286	291	
			Current/A	1.97	2.03	2.09	2.16	2.22	2.29	2.34	2.37	2.41	
24	2	1	SCFM	590	544	511	447	404	345	311	273	239	
			Power/W	49	57	64	70	75	82	91	97	102	
			Current/A	0.77	0.81	0.84	0.87	0.91	0.94	0.99	1.02	1.11	
		2	SCFM	681	633	591	535	490	446	388	354	313	
			Power/W	63	69	77	83	90	96	103	111	118	
			Current/A	0.84	0.87	0.93	0.96	0.99	1.03	1.07	1.13	1.16	
		3	SCFM	788	736	687	648	597	558	511	473	429	
			Power/W	86	91	100	108	114	121	128	133	142	
			Current/A	0.95	0.99	1.11	1.14	1.18	1.21	1.26	1.31	1.37	
		4 (Factory Default)	SCFM	883	842	796	758	717	681	642	599	524	
			Power/W	121	128	135	144	151	159	165	173	181	
			Current/A	1.21	1.28	1.32	1.38	1.43	1.47	1.54	1.59	1.64	
		5	SCFM	1103	1073	1036	998	967	934	896	855	814	
			Power/W	233	241	249	258	265	275	281	286	291	
			Current/A	1.97	2.03	2.09	2.16	2.22	2.29	2.34	2.37	2.41	
36	2.5	1	SCFM	898	752	603	511	405	360	301	259	203	
			Power/W	78	72	65	60	54	48	41	38	36	
			Current/A	0.68	0.64	0.59	0.52	0.46	0.42	0.36	0.29	0.28	
		2	SCFM	1026	902	810	694	630	544	490	409	366	
			Power/W	109	99	106	111	120	126	135	140	148	
			Current/A	0.94	0.86	0.91	0.95	1.03	1.07	1.14	1.18	1.24	
		3	SCFM	1161	1114	1052	992	893	825	768	694	646	
			Power/W	148	158	164	175	187	193	203	209	219	
			Current/A	1.26	1.34	1.39	1.48	1.57	1.61	1.69	1.73	1.81	
		4 (Recommended)	SCFM	1287	1244	1186	1142	1078	969	914	892	893	
			Power/W	194	205	211	221	233	241	252	253	253	
			Current/A	1.62	1.69	1.75	1.83	1.93	1.98	2.07	2.08	2.11	
		5 (Factory Default)	SCFM	1491	1442	1396	1348	1302	1243	1150	1088	1029	
			Power/W	290	298	307	318	325	337	351	362	367	
			Current/A	2.35	2.42	2.49	2.58	2.64	2.73	2.83	2.92	2.96	
36	3	1	SCFM	898	752	603	511	405	360	301	259	203	
			Power/W	78	72	65	60	54	48	41	38	36	
			Current/A	0.68	0.64	0.59	0.52	0.46	0.42	0.36	0.29	0.28	
		2	SCFM	1026	902	810	694	630	544	490	409	366	
			Power/W	109	99	106	111	120	126	135	140	148	
			Current/A	0.94	0.86	0.91	0.95	1.03	1.07	1.14	1.18	1.24	
		3	SCFM	1161	1114	1052	992	893	825	768	694	646	
			Power/W	148	158	164	175	187	193	203	209	219	
			Current/A	1.26	1.34	1.39	1.48	1.57	1.61	1.69	1.73	1.81	
		4	SCFM	1287	1244	1186	1142	1078	969	914	892	893	
			Power/W	194	205	211	221	233	241	252	253	253	
			Current/A	1.62	1.69	1.75	1.83	1.93	1.98	2.07	2.08	2.11	
		5 (Factory Default)	SCFM	1491	1442	1396	1348	1302	1243	1150	1088	1029	
			Power/W	290	298	307	318	325	337	351	362	367	
			Current/A	2.35	2.42	2.49	2.58	2.64	2.73	2.83	2.92	2.96	

Air Handler Model	Outdoor Unit Size(Tons)	Motor Speed	CFM Wet Coil without filter and Electric Heat									
			External Static Pressure-Inches W.C.[kPa]									
			0[0]	0.1[.025]	0.2[.050]	0.3[.075]	0.4[0.100]	0.5[0.125]	0.6[0.150]	0.7[0.175]	0.8[0.200]	
60	3.5	1	SCFM	1344	1284	1226	1151	1076	946	904	893	869
			Power/W	143	151	159	168	177	191	197	195	194
			Current/A	1.23	1.26	1.33	1.41	1.5	1.61	1.63	1.61	1.62
		2	SCFM	1531	1477	1418	1366	1299	1239	1138	1064	1001
			Power/W	200	211	222	231	239	250	266	277	291
			Current/A	1.73	1.74	1.81	1.89	2.02	2.14	2.22	2.31	2.38
		3 (Recommended)	SCFM	1647	1592	1538	1490	1436	1378	1315	1215	1140
			Power/W	244	254	263	273	283	300	305	325	336
			Current/A	2.03	2.11	2.14	2.19	2.31	2.38	2.53	2.64	2.72
		4 (Factory Default)	SCFM	1875	1822	1774	1729	1677	1629	1581	1533	1473
			Power/W	340	353	365	375	388	399	412	423	437
			Current/A	2.73	2.79	2.86	3.02	3.12	3.21	3.29	2.38	3.51
		5	SCFM	2021	1967	1924	1879	1828	1785	1742	1694	1641
			Power/W	409	416	429	447	461	471	487	500	513
			Current/A	3.21	3.29	3.38	3.52	3.61	3.73	3.76	3.86	4.04
60	4	1	SCFM	1344	1284	1226	1151	1076	946	904	893	869
			Power/W	143	151	159	168	177	191	197	195	194
			Current/A	1.23	1.26	1.33	1.41	1.5	1.61	1.63	1.61	1.62
		2	SCFM	1531	1477	1418	1366	1299	1239	1138	1064	1001
			Power/W	200	211	222	231	239	250	266	277	291
			Current/A	1.73	1.74	1.81	1.89	2.02	2.14	2.22	2.31	2.38
		3 (Recommended)	SCFM	1647	1592	1538	1490	1436	1378	1315	1215	1140
			Power/W	244	254	263	273	283	300	305	325	336
			Current/A	2.03	2.11	2.14	2.19	2.31	2.38	2.53	2.64	2.72
		4 (Factory Default)	SCFM	1875	1822	1774	1729	1677	1629	1581	1533	1473
			Power/W	340	353	365	375	388	399	412	423	437
			Current/A	2.73	2.79	2.86	3.02	3.12	3.21	3.29	2.38	3.51
		5	SCFM	2021	1967	1924	1879	1828	1785	1742	1694	1641
			Power/W	409	416	429	447	461	471	487	500	513
			Current/A	3.21	3.29	3.38	3.52	3.61	3.73	3.76	3.86	4.04
60	5	1	SCFM	1344	1284	1226	1151	1076	946	904	893	869
			Power/W	143	151	159	168	177	191	197	195	194
			Current/A	1.23	1.26	1.33	1.41	1.5	1.61	1.63	1.61	1.62
		2	SCFM	1531	1477	1418	1366	1299	1239	1138	1064	1001
			Power/W	200	211	222	231	239	250	266	277	291
			Current/A	1.73	1.74	1.81	1.89	2.02	2.14	2.22	2.31	2.38
		3	SCFM	1647	1592	1538	1490	1436	1378	1315	1215	1140
			Power/W	244	254	263	273	283	300	305	325	336
			Current/A	2.03	2.11	2.14	2.19	2.31	2.38	2.53	2.64	2.72
		4 (Factory Default)	SCFM	1875	1822	1774	1729	1677	1629	1581	1533	1473
			Power/W	340	353	365	375	388	399	412	423	437
			Current/A	2.73	2.79	2.86	3	3.12	3.21	3.29	2.38	3.51
		5	SCFM	2021	1967	1924	1879	1828	1785	1742	1694	1641
			Power/W	409	416	429	447	461	471	487	500	513
			Current/A	3.21	3.29	3.38	3.52	3.61	3.73	3.76	3.86	4.04
61	6	1	SCFM	1348	1280	1227	1180	1130	1042	933	871	825
			Power/W	157	165	176	187	196	206	225	233	245
			Current/A	1.34	1.4	1.49	1.58	1.64	1.73	1.88	1.94	2.03
		2	SCFM	1491	1439	1380	1334	1285	1246	1180	1047	988
			Power/W	205	217	226	238	250	259	269	292	300
			Current/A	1.71	1.81	1.88	1.97	2.06	2.14	2.21	2.39	2.45
		3	SCFM	1677	1633	1586	1543	1499	1449	1409	1370	1281
			Power/W	281	297	311	325	338	346	358	370	386
			Current/A	2.3	2.41	2.52	2.63	2.73	2.79	2.88	2.98	3.09
		4 (Factory Default)	SCFM	1881	1843	1800	1754	1708	1666	1626	1590	1558
			Power/W	391	407	423	438	449	462	474	487	498
			Current/A	3.12	3.25	3.36	3.47	3.56	3.66	3.75	2.84	3.93
		5	SCFM	2029	1988	1947	1900	1858	1815	1771	1716	1671
			Power/W	426	482	498	514	528	541	553	565	572
			Current/A	3.67	3.8	3.92	4.03	4.13	4.24	4.33	4.41	4.47

--- Shaded boxes represent airflow outside the required 300-450 cfm/ton, which are not recommended.

NOTES: Airflow based upon cooling performance at 230V with no electric heat and no filter. Airflow at 208V is approximately the same as 230V because the multi-tap ECM motor is a constant torque motor. The torque doesn't drop off at the speeds in which the motor operates.

The air distribution system has the greatest effect on airflow. The duct system is totally controlled by the contractor. For this reason, the contractor should use only industry-recognized procedures.

Heat pump systems require a specified airflow for electric heat operating. Each ton of cooling requires between 350 and 450 cubic feet of air per minute (CFM), or 400 CFM nominally.

Duct design and construction should be carefully done. System performance can be lowered dramatically through bad planning or workmanship.

Air supply diffusers must be selected and located carefully. They must be sized and positioned to deliver treated air along the perimeter of the space. If they are too small for their intended airflow, they become noisy. If they are not located properly, they cause drafts. Return air grilles must be properly sized to carry air back to the blower. If they are too small, they also cause noise.

The installers should balance the air distribution system to ensure proper quiet airflow to all rooms in the home. This ensures a comfortable living space.

An air velocity meter or airflow hood can be used to balance and verify branch and system airflow (CFM).

6. DUCTWORK

Field ductwork must comply with the National Fire Protection Association NFPA 90A, NFPA 90B and any applicable local ordinance.

⚠ WARNING

Do not, under any circumstances, connect return ductwork to any other heat producing device such as fireplace insert, stove, etc.

Unauthorized use of such devices may result in fire, carbon monoxide poisoning, explosion, personal injury or property damage.

Sheet metal ductwork in unconditioned spaces must be insulated and covered with a vapor barrier. Fibrous ductwork may be used if constructed and installed in accordance with SMACNA Construction Standard on Fibrous Glass Ducts. Ductwork must comply with National Fire Protection Association as tested by UL Standard 181 for Class I Air Ducts. Check local codes for requirements on ductwork and insulation.

- Duct system must be designed within the range of external static pressure the unit is designed to operate against. It is important that the system airflow be adequate. Make sure supply and return ductwork, grills, special filters, accessories, etc. are accounted for in total resistance. See airflow performance tables in this manual.
- Design the duct system in accordance with "ACCA" Manual "D" Design for Residential Winter and Summer Air Conditioning and Equipment Selection. Latest editions are available from: "ACCA" Air Conditioning Contractors of America, 1513 16th Street, N.W., Washington, D.C. 20036. If duct system incorporates flexible air duct, be sure pressure drop information (straight length plus all turns) shown in "ACCA" Manual "D" is accounted for in the system.
- Supply plenum is attached to the 3/4" duct flanges supplied with the unit. Attach flanges around the blower outlet.

IMPORTANT: If an elbow is included in the plenum close to the unit, it can not be smaller than the dimensions of the supply duct flange on the unit.

IMPORTANT: The front flange on the return duct if connected to the blower casing must not be screwed into the area where the power wiring is located. Drills or sharp screw points can damage insulation on wires located inside unit.

- Secure the supply and return ductwork to the unit flanges, using proper fasteners for the type of duct used and tape the duct-to-unit joint as required to prevent air leaks.

7. REFRIGERANT CONNECTIONS

Keep the coil connections sealed until refrigerant connections are made. See the Installation Instructions for the outdoor unit for details on line sizing, tubing installation, and charging information.

Coil is shipped with Nitrogen. Evacuate the system before charging with refrigerant.

Install refrigerant tubing so that it does not block service access to the front of the unit.

Nitrogen should flow through the refrigerant lines while brazing.

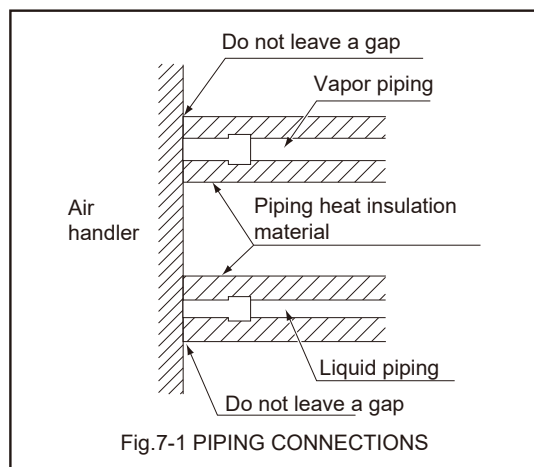
Use a brazing shield to protect the cabinet's paint and a wet rag to protect the rubber grommet and input pipe's Piston seal ring from being damaged by torch flames.

After the refrigerant connections are made, seal the gap around the connections with pressure sensitive gasket.

⚠ WARNING

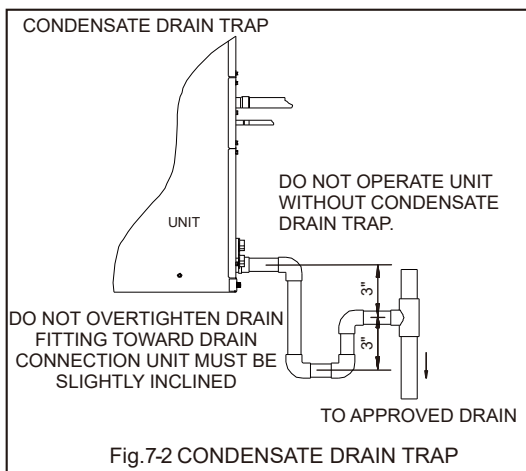
Use a wet rag to protect the two seal rings in the input pipe from being damaged by torch flames while brazing.

After the work is finished, make sure to check that there is no vapor leak after checking for vapor leaks, be sure to insulate the piping connections referring to Fig.7-1.



7.1 Condensate Drain Tubing

Consult local codes for specific requirements.



IMPORTANT:

1. When making drain fitting connections to the drain pan, use a thin layer of Teflon paste, silicone or Teflon tape and install, hand tighten.
2. When making drain fitting connections to drain pan, do not overtighten. Over tightening fittings can split pipe connections on the drain pan.

- Install drain lines so they do not block service access to front of the unit. Minimum clearance of 24 inches is required for filter, coil or blower removal and service access.
- Make sure unit is level or pitched slightly toward primary drain connection so that water will drain completely from the pan. (See Fig. 7-2)
- Do not reduce drain line size less than connection size provided on condensate drain pan. Use 3/4" PVC piping for drain piping connections.
- All drain lines must be pitched downward away from the unit a minimum of 1/8" per foot of line to ensure proper drainage.
- Do not connect condensate drain line to a closed or open sewer pipe. Run condensate to an open drain or run line to a safe outdoor area.
- The drain line should be insulated where necessary to prevent sweating and damage due to condensate forming on the outside surface of the line.
- Make provisions for disconnecting and cleaning of the primary drain line should it become necessary. Install a 3 inch trap in the primary drain line as close to the unit as possible. Make sure that the top of the trap is below connection to the drain pan to allow complete drainage of pan. (See Fig. 7-2).
- Auxiliary drain line should be run to a place where it will be noticeable if it becomes operational. Homeowner should be warned that a problem exists if water should begin running from the auxiliary drain line.
- Plug the unused drain connection with the plugs provided in the parts bag, using a thin layer of teflon paste, silicone or teflon tape to form a water tight seal.

- Test condensate drain pan and drain line after installation is complete. Pour water into drain pan, enough to fill drain trap and line. Check to make sure drain pan is draining completely, no leaks are found in drain line fittings, and water is draining from the termination of the primary drain line.
- Be sure to insulate the drain piping and drain socket since condensation may cause water leakage.
- Be sure to install a drain trap at the drain outlet since the inside of the unit is at negative pressure relative to atmospheric pressure during operation.

8. AIR FILTER (Not Factory-Installed)

External filter or other means of filtration is required. Units should be sized for a maximum of 300 feet/min air velocity or what is recommended for the type filter installed.

Filter application and placement are critical to airflow, which may affect the heating and cooling system performance. Reduced airflow can shorten the life of the system's major components, such as motor, limits, elements, heat relays, evaporator coil or compressor. Consequently, we recommend that the return air duct system have only one filter location. For systems with a return air filter grill or multiple filter grills, can have a filter installed at each of the return air openings.

If adding high efficiency filters or electronic air filtration systems, it is very important that the air flow is not reduced. If air flow is reduced the overall performance and efficiency of the unit will be reduced. It is strongly recommended that a professional installation technician is contacted to ensure installation of these such filtration systems are installed correctly.

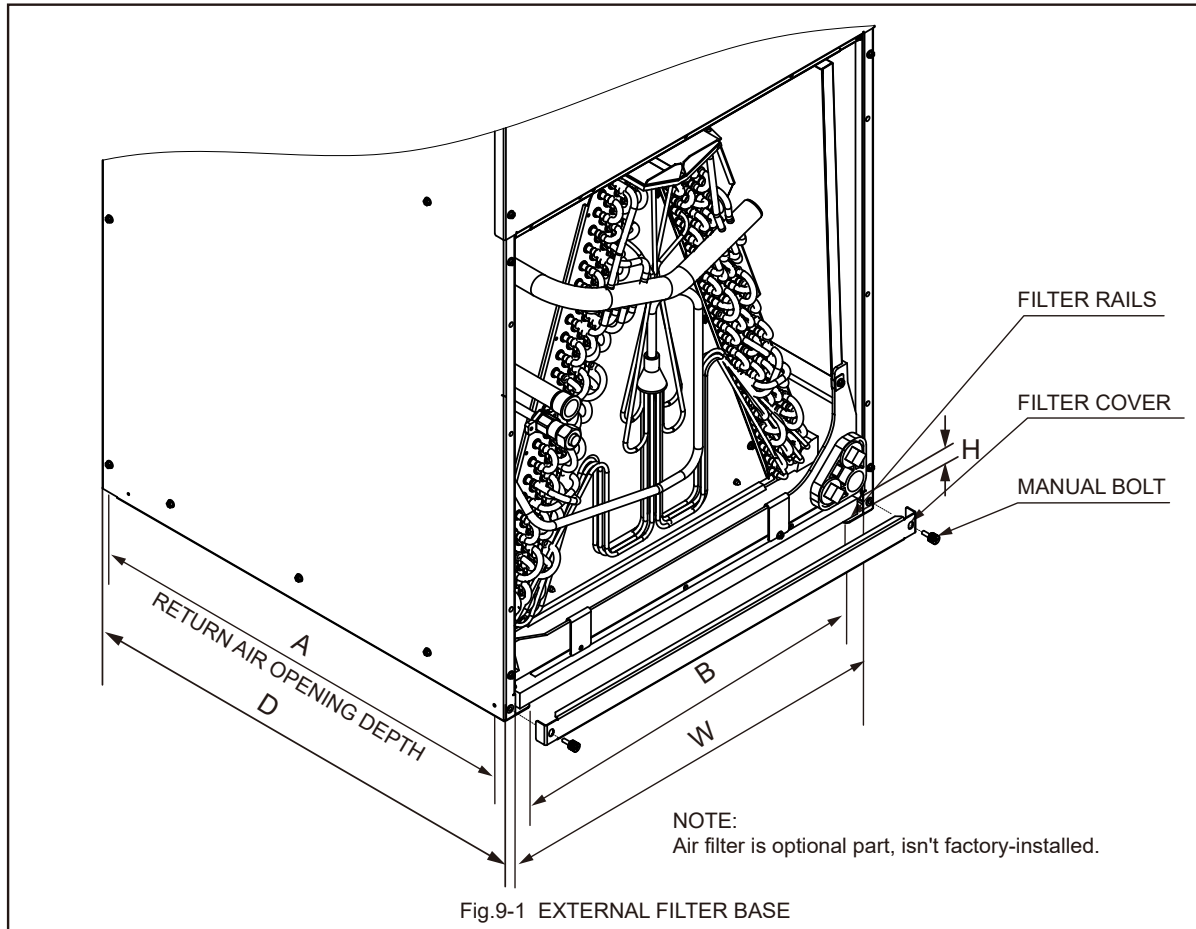
IMPORTANT: Do not double filter the return air duct system. Do not filter the supply air duct system. This will change the performance of the unit and reduce airflow.

WARNING

Do not operate the system without filters. A portion of the dust entrained in the air may temporarily lodge in the duct and run at the supply registers. Any circulated dust particles could be heated and charred by contact with the air handler elements. This residue could soil ceilings, walls, drapes, carpets and other articles in the house.

Soot damage may occur with filters in place, when certain types of candles, oil lamps or standing pilots are burned.

9. FILTER INSTALLATION DIMENSIONS

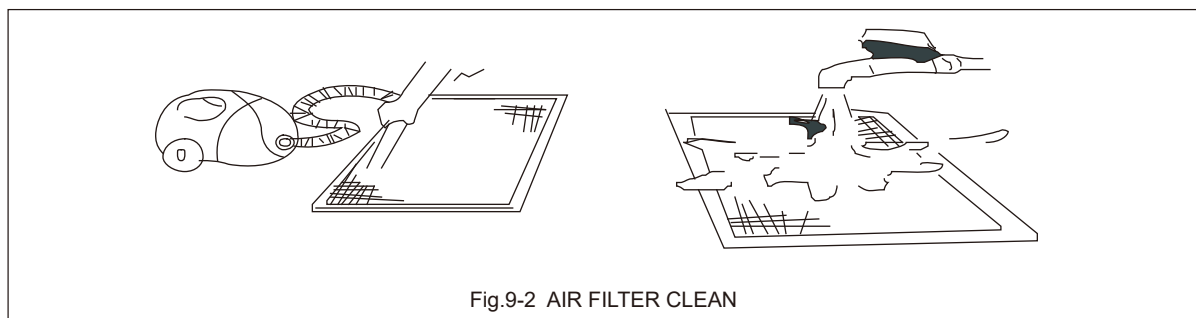


DIMENSIONAL DATA

MODEL	FILTER SIZE IN [mm]	"W" IN [mm]	"D" IN [mm]	"H" IN [mm]	Return width "A" IN	Return length MODEL "B" IN
24	16X20[406X508]	16.8[426]	20.4[518]	1[25.4]	19.6	14.8
36	18X20[457X508]	18.3[466]	21.6[548]	1[25.4]	20.8	16.3
60/61	20X22[508X559]	20.7[526]	23.9[608]	1[25.4]	23	18.8

AIR FILTER REMOVAL

1. Remove bolts manually, remove air filter recover. See in Fig.9-1.
2. Hold the edge of the air filter and extract out.
3. Clean the air filter (Vacuum cleaner or pure water may be used to clean the air filter. If the dust accumulation is too heavy, use soft brush and mild detergent to clean it and dry out in cool place). See in Fig.9-2.
4. Install new filter so that the arrow on the filter is in the same direction as airflow.



10. WIRING DIAGRAM

10.1 For 24/36/60 Model

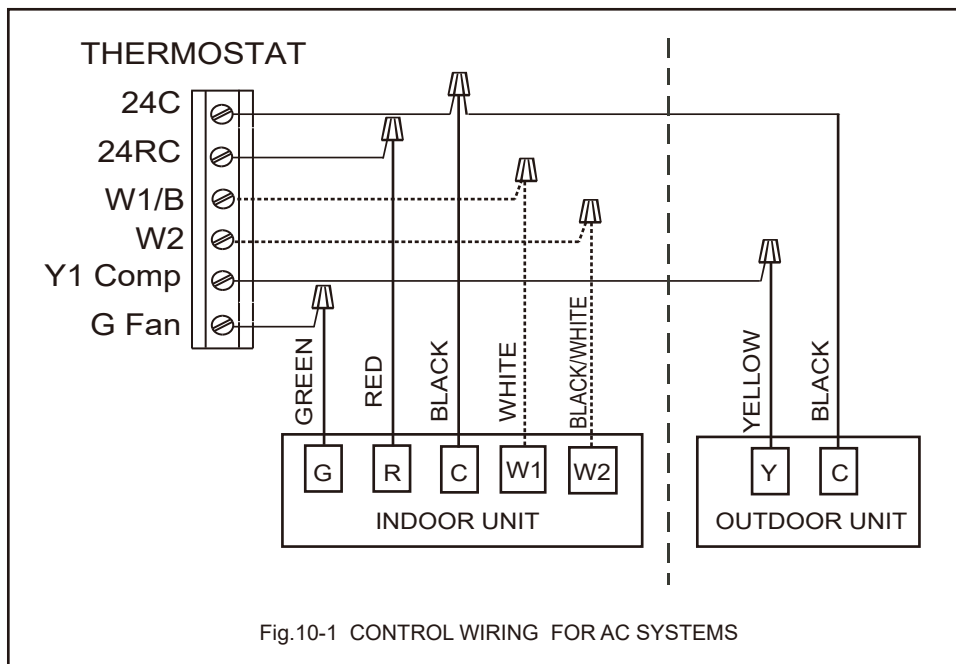


Fig.10-1 CONTROL WIRING FOR AC SYSTEMS

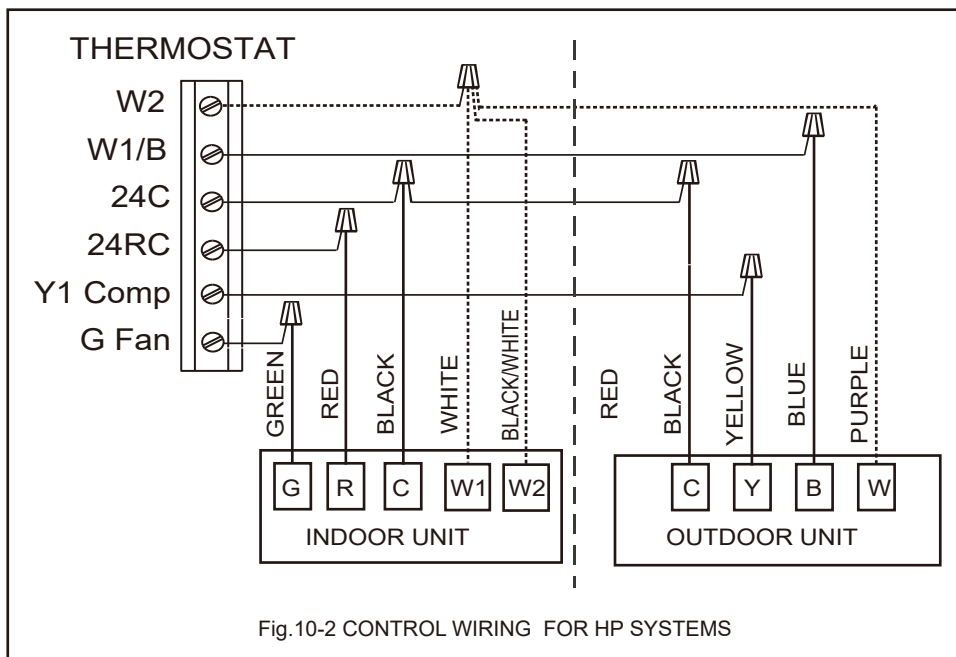


Fig.10-2 CONTROL WIRING FOR HP SYSTEMS

WARNING

HIGH VOLTAGE!
DISCONNECT ALL POWER BEFORE SERVICING OR INSTALLING THIS UNIT. MULTIPLE POWER SOURCES MAY BE PRESENT. FAILURE TO DO SO MAY CAUSE PROPERTY DAMAGE, PERSONAL INJURY OR DEATH.

SCHEMATIC DIAGRAM

SEE RATING PLATE FOR VOLTS&HERTZ
FIELD POWER WIRING

CAUTION:
NOT SUITABLE FOR USE ON SYSTEMS EXCEEDING 150V TO GROUND

ATTENTION:
NE CONVIENT PAS AUX INSTALLATIONS DE PLUS DE 150V ALA TERRE

DIP SWITCH SW1 SETTINGS

MODEL	DIAL CODE	SPEED
/		3 MEDIUM
24K/60K		4 MEDIUM HIGH
36K		5 HIGH

SPEED TAPS

1	LOW
2	MEDIUM LOW
3	MEDIUM
4	MEDIUM HIGH
5	HIGH

SEE NOTE 6

	N	GND	L	C	5	4	3	2	1
FM WIRE CONFIG 1	YELLOW	Y/G	BLACK	BROWN	GRAY	WHITE	ORANGE	BLUE	BLACK
FM WIRE CONFIG 2	BLUE	GREEN	RED	WHITE	PINK	GRAY	BROWN	YELLOW	BLACK

NOTES:

- 1: Use copper wire (75°C Min) only between disconnect switch and unit.
- 2: To be wired in accordance with NEC and local codes.
- 3: If any of the original wire, as supplied, must be replaced. Use the same or equivalent type wire.
- 4: Connect R to R, G to G, etc. See outdoor instruction for details.
- 5: To change speed tap, adjust dip switches (SW1).
- 6: See airflow tables for airflow settings.

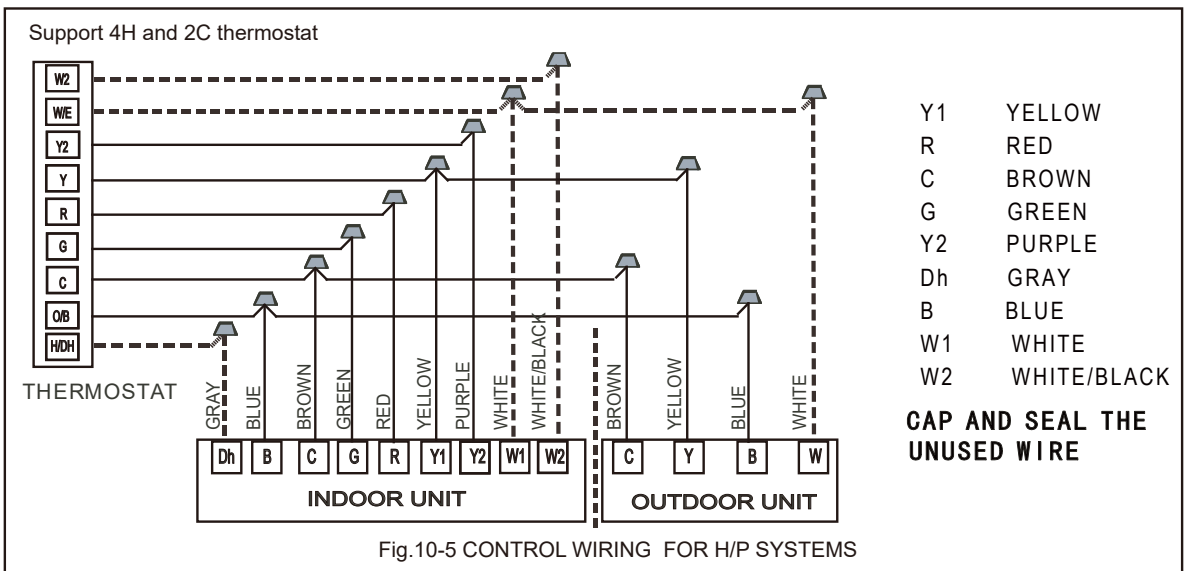
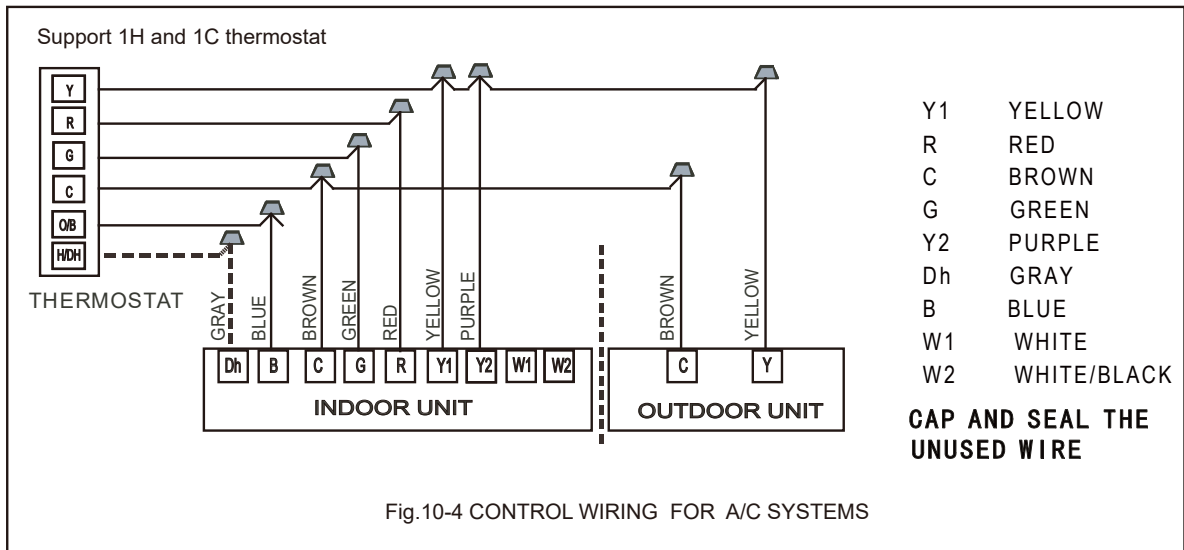
FM FAN MOTOR
TFMR TRANSFORMER
GND GROUND
- - - - - OPTIONAL
- - - - - FIELD POWER WIRING

Factory code	Date	Revision
16023000013093	Jul. 26, 2022	A

THE WIRING DIAGRAM SHOWN IS FOR REFERENCE ONLY, ACTUAL PRODUCT MAY VARY.

Fig.10-3 INDOOR UNIT WIRING DIAGRAM FOR ECM MOTOR AC SYSTEMS AND HP SYSTEMS

10.2 For 61 Model



WARNING

HIGH VOLTAGE! DISCONNECT ALL POWER BEFORE SERVICING OR INSTALLING THIS UNIT. MULTIPLE POWER SOURCES MAY BE PRESENT. FAILURE TO DO SO MAY CAUSE PROPERTY DAMAGE, PERSONAL INJURY OR DEATH.

SCHEMATIC DIAGRAM

SEE RATING PLATE FOR VOLT&HERTZ FIELD POWER WIRING

CAUTION:
NOT SUITABLE FOR USE ON SYSTEMS EXCEEDING 150V TO GROUND.

ATTENTION:
NE CONVIENT PAS AUX INSTALLATIONS DE PLUS DE 150V ALA TERRE.

INDOOR MAIN BOARD

DETAILED REFERENCE MANUAL INSTRUCTIONS

	BLACK BLOCK IS BUTTON	Y1 OR G	Y1+Y2 OR W
SW6-1,2 FAN SPEED TAPS	ON 1 2	1	2
	ON 1 2	1	3
	* ON 1 2 61K	2	4
	ON 1 2	3	5
SW6-3	ON 3	RESERVED	
	* ON 3	HEAT: FAN START	
SW6-4	ON 4	RESERVED	
	* ON 4	NORMAL	

*THE FACTORY DEFAULT

Switch ON Position: Color upper half to show switch position is UP.

Switch OFF Position: Color upper half to show switch position is DOWN.

SPEED TAPS

LED4 INDICATION DESCRIPTION

POWER ON

NORMAL

T1: RETURN AIR TEMPERATURE SENSOR
T2: INDOOR COIL TEMPERATURE SENSOR

Factory code	Date	Revision
16023000013092	Jul. 26, 2022	A

THE WIRING DIAGRAM SHOWN IS FOR REFERENCE ONLY, ACTUAL PRODUCT MAY VARY.

- NOTES:**
- 1: If connected to the 1-Stage controller, please short the signals Y1 and Y2.
 - 2: Use copper wire (75°C min) only between disconnect switch and unit .
 - 3: To be wired in accordance with NEC and local codes.
 - 4: If any of the original wire, as supplied, must be replaced. Use the same or equivalent type wire.
 - 5: Connect R to R, G to G, Y1 to Y, etc. See outdoor instruction for details.
 - 6: If some signal lines of CN4 and CN5 are not used, please Wrap them up separately with cap.
 - 7: See airflow tables for airflow settings.
 - 8: When need to change the transformer stage, remove the lead from "240V" terminal and then connect the lead to "208V" terminal.

Fig.10-6 INDOOR UNIT WIRING DIAGRAM FOR ECM MOTOR AC SYSTEMS AND HP SYSTEMS

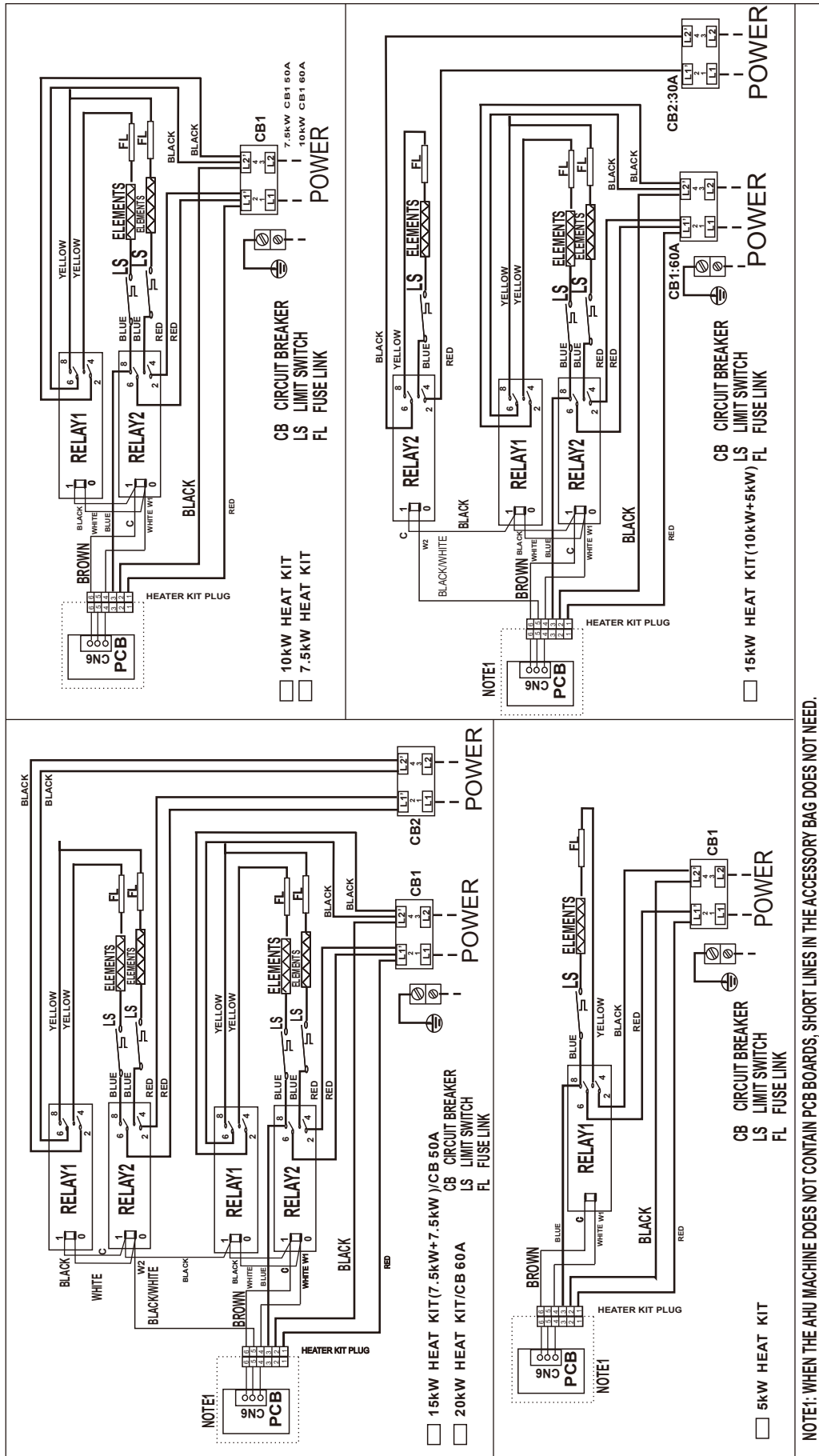


Fig. 10-7: INDOOR UNIT WIRING DIAGRAM FOR ELECTRIC HEAT

Wiring is subject to change. Always refer to the wiring diagram on the unit for the most up-to-date wiring.

11. PISTON/TXV INSTALLATION

This coil comes with a factory installed piston metering device. See Table 11-1 for factory installed piston size. Some system combinations will require a different sized piston to be field installed.

- Contact your local parts center to order the appropriate MAYORIACHP piston kit for your system combination.
- Use Table 11-3 for TXV kit part numbers.

A TXV may be required to achieve minimum efficiency ratings or for long refrigerant line set applications. Reference AHRI for system combination ratings.

Table 11-1. Factory installed piston size for each model. Additional piston sizes are provided in the ship with literature bag as necessary.

MODEL	50	52	56	58	64	73	75	80	83	90
24		X*		X						
36		X		X	X	X*				
60						X	X		X	X*

* means that this piston is pre-installed

WARNING

Failure to install the proper piston can lead to poor system performance and possible compressor damage.

NOTE

Since the manufacturer has a policy of continuous product and product data improvement, if the system combination you are looking for is not listed, check for the latest version of this document at www.AmeristarHVAC.com.

Table 11-2 . Optional TXV kit part numbers. Some combinations may require a TXV. See AHRI for system combination ratings.

Outdoor Unit Capacity (Tons)	R410a TXV Kit
1.5-3.0	3Ton
3.5-4.0	4Ton
5.0	5Ton

Table 11-3.Superheat Charging Chart

Charge the system by superheat when using a piston. Reference the outdoor unit installation guide to charge the system by subcooling when using a TXV.

Outdoor Temp (°F)	Indoor Temperature (°F) Dry Bulb/wet Bulb					
	95/79	90/75	85/71	80/67	75/63	70/58
	Superheat (°F)					
115	23	16	7	6	5	5
110	24	17	9	6	5	5
105	26	19	11	6	5	5
100	27	21	13	7	6	5
95	29	23	14	9	6	5
90	30	25	18	12	7	5
85	32	26	20	15	9	6
80	34	28	22	17	11	6
75	35	30	24	19	13	7
70	37	32	26	21	16	10
65	38	34	29	24	19	13
60	40	36	31	27	22	17
55	41	37	34	30	26	21

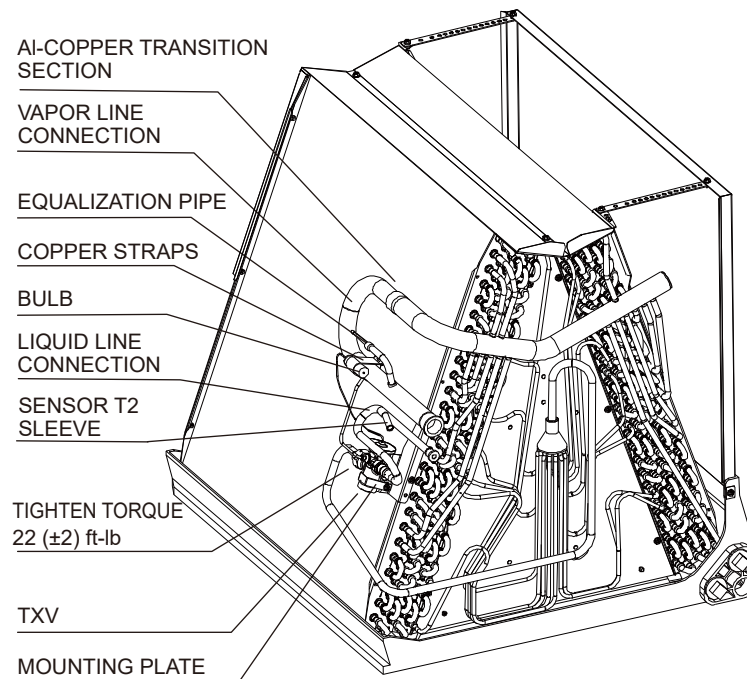
TXV Replacement Information for MVME61C1MN1TC

NOTE:

1. The TXV replacement options noted in this sheet supersede those in the installation guide. Please reference this sheet for all refrigerant metering options.

TXV-Replace Steps

- Step 1: Remove the screws and front coil panel.
- Step 2: Remove the rubber plugs from the liquid and vapor lines.
- Step 3: Unwrap copper strap on sensing bulb and dismount the sensing bulb.
- Step 4: Using a backup wrench to loose the nut of TXV.
- Step 5: Take off TXV mounting clip ring.
- Step 6: Use wet rag to protect pipe in coil, Al-Copper transition section (The black section of vapor line).
- Step 7: Braze and take off two pipes from TXV. Be extra care not to overheat the pipes.
- Step 8: Wrap the new TXV with a wet rag to prevent overheating. Connect and braze pipe to new TXV. While brazing, use nitrogen flow and braze all connections.
- Step 9: Replace a new sealing ring to the pipe joint, connect the TXV with pipe joint and tight the nut to 22 (± 2) ft-lb.
- Step 10: Allow tube to cool and pressurize line sets with 150 PSI of nitrogen to check braze connections for leaks. Make repairs if needed.
- Step 11: Use the supplied copper straps to secure the TXV sensing bulb on top of the vapor line as pictured.
- Step 12: Use clip ring to hold TXV on mounting plate.
- Step 13: Insulate the entire vapor line and sensing bulb. It is also recommended to insulate the TXV and liquid line to prevent condensation in hot humid environments.
- Step 14: Replace the front coil pance and secure in place.
- Step 15: Follow the steps in the installation guide for vacuum requirements and system start up procedures.
- Step 16: Allow system to run for an additional 10 minutes to verify the subcooling and superheat readings.



V.A

此页不做菲林，仅核对使用

印刷技术要求

材质	封面封底内页双胶纸80g
规格	A4规格
颜色	黑白
其他	

设计更改记录表（仅做说明用，不做菲林）

版本升级	更改人	更改日期	更改主要内容	涉及更改页面 (印刷页码)
A-B	蒋曜蔚	22. 8. 29	表格描述修改 重量修改	P4