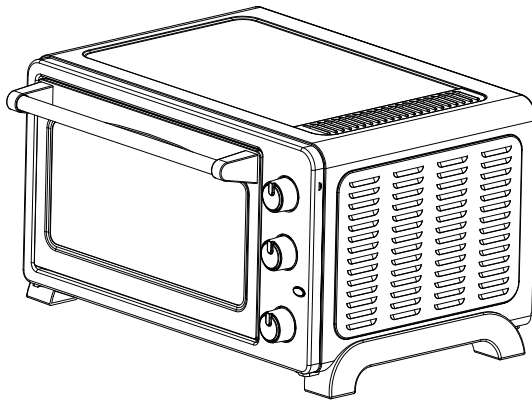




## Toaster Oven



MODEL: MEO-25EX1  
POWER SUPPLY: 220-240V~50/60Hz  
POWER CONSUME: 1500W

BEFORE OPERATING THIS PRODUCT, READ, UNDERSTAND, AND FOLLOW THESE INSTRUCTIONS.  
BE SURE TO SAVE THIS BOOKLET FOR FUTURE REFERENCE

## IMPORTANT SAFEGUARDS

When using electrical appliance, basic safety precautions should always be followed, including the following:

1. Read all instructions before using.
2. To protect against any electrical hazards, do not place unit or cord in water or any other liquids.
3. Do not touch any hot surfaces. Use oven mitts for removing or touching any hot parts. Always place toast oven on heat protected surface.
4. Unplug the unit from outlet when not in use and before cleaning. Always allow to cool before attaching or removing any parts.
5. The use of accessory attachments not recommended by the appliance manufacturer may cause injuries.
6. Always pull the plug out from the wall – never pull the cord. Remove the plug from the wall before moving the appliance. Use both hands to move the appliance.
7. Do not let cord hang over edge of table or counter, or touch hot surface.
8. Do not place the toaster oven inside an heated oven or near a hot flame or electric burner.
9. Do not use outdoors
10. If the electric circuit is overloaded with other appliances, this appliance may not operate properly. The toaster oven should be operated on a separate electrical circuit from other operating appliances.
11. The temperature of accessible surfaces may be high when the appliance is operating.
12. If the supply cord is damaged, it must be replaced by the manufacturer or its service agent or a similarly qualified person in order to avoid a hazard.
13. Store only the accessories provided with this unit inside the oven when not in use. Do not store any other materials.
14. A fire may occur if the appliance is covered or touching flammable material, including curtains, draperies, walls, and the like, when in operation. Do not put any items on top of the appliance when in operation.
15. Do not place any cardboard, paper or plastic inside the oven.
16. All containers placed inside the oven must not be airtight. Also, they need to have enough room to allow for expansion of fluids.
17. Clean this appliance regularly as build – up of grease may cause a fire. Make sure that this appliance is not placed near curtains, any drapery, or other flammable material.
18. Do not clean with metal scouring pads. Pieces can break off the pad and touch electrical parts involving a risk of electric shock.
19. In order to prevent accidental burns, always use the handle and knobs to operate this appliance.
20. The temperature of the door or outer surface may be high when the appliance operating.

21. Oversize foods or metal utensils must not be inserted in a toast oven as they may create a fire or risk of electric shock.
22. Do not cover crumb tray or any part of the oven with metal foil. This will cause overheating of the oven.
23. Extreme caution should be exercised when using containers constructed of other than metal or glass.
24. This appliance is not intended for use by persons (including children ) with reduced physical, sensory or mental capabilities. Or lack of experience and knowledge unless they have been given supervision or instruction concerning use of the appliance by a person responsible for their safety.
25. Children should be supervised to ensure that they do not play with the appliance.
26. The appliance is not intended to be operated by means of an external timer or separate remote-control system.
27. The rear surface of appliance shall be placed against a wall.
28. WARNING-Ensure that the appliance is switched off before replacing the lamp to avoid the possibility of electric shock, and only use the proper E 14 lamp:250V, 2A.

SAVE THESE INSTURCTIONS  
HOUSEHOLD USE ONLY



Caution :hot surface

BEFORE FIRST USE

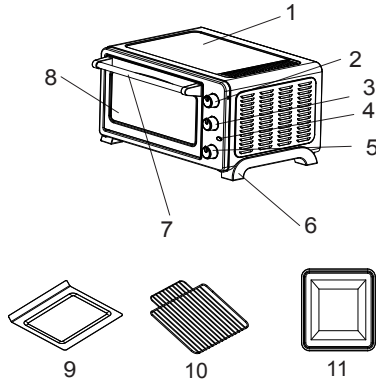
1. Remove all accessories and shipping materials packed inside the oven.
2. Wash the rack and pan in warm soapy water. Wipe the inside of the oven with a damp cloth or sponge. Blot dry with paper towels to be sure the unit is dry before using.
3. Place oven on a flat counter or other stable surface **DO NOT OPERATE ON THE SAME CIRCUIT WITH ANOTHER APPLIANCE.**
4. Make sure the crumb tray is properly installed before using.

For the first time only, Set the temperatureknob to MAX, the timer setting to10 minutes. This will burn off any oils still on the oven.

NOTE: The oven may smoke during this process. This is normal for a new oven and will not last more than 10-15 minutes.

## NAME OF PARTS

1. Housing
2. Temperature knob
3. Indicator light
4. Function knob
5. Time knob
6. Oven foot
7. Door handle
8. Glass door
9. Crumb tray
10. Baking rack
11. Baking tray



## CONTROL SETTINGS

### TIME SETTING

0-60 MINUTES: The Timer can be set up to 60 minutes. The oven will not turn on without the timer being set.

When the Time knob is in the "off" position, the oven will not operate. To set the time, turn the knob clockwise to the desired time.

Indicator Light is lit only when Time has been set.

When the Timer has reached the OFF position, a bell sound will be heard. Power supply will be cut off automatically.

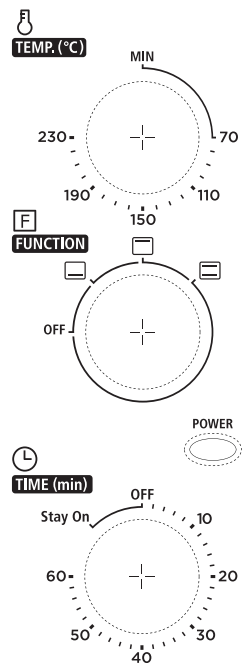
### ADJUSTING TIME

Timer can be change during cooking cycle. Just turn the timer knob to the desired time and continue cooking.

NOTE: To select the cooking time, first rotate the timer knob more then 90 degrees, and then turn the switch back to the time you require.

### TEMPERATURE SETTING


Turn the Temperature knob clockwise to the desired temperature setting. The Temperature can be set from 70 °C to 230 °C .



## FUNCTION SETTING

This Oven offer three different functions for versatile cooking all in one appliance.

Bake:  The lower heating elements are working during this function.

Broil:  The upper heating elements are working during this cycle.

Toast:  The upper and lower heating elements are working during this function.

It is perfect for baking pizza, bread and cookies and Toasting pork, steaks and Toasts.

## HOW TO USE


CAUTION: THE OVEN SURFACES ARE HOT DURING AND AFTER USE

### GENERAL INSTRUCTIONS

1. Place the Baking Rack in position that will accommodate the height of the food to be cooked.
2. Set the food on the Rack. Make sure that you always use an ovenproof container in the oven, never use plastic or cardboard containers in the Oven
3. Never use glass or ceramic pans or lids.
4. DO NOT let juices run to the bottom of the oven. Use the Drip Tray and Crumb Tray when cooking.
5. Set the temperature as suggested by the recipe or as desired.
6. Securely shut the door and set the cooking time to begin operating the oven.


### TOAST FUNCTION:

Use the Toast function for foods such as corn, bread, cookies and heating food

1. Place the baking rack to the desired height.
2. Set the Function Knob to " ".
3. Rotate the Time knob to set the length of time for Toast.
4. Rotate the Temperature knob clockwise to desired temperature
5. Continuing Toasting for desired length of time.
6. Check food temperatures before moving to ensure that proper internal temperatures have been reached.
7. Always remove food with oven mitts. Food and oven are very hot.


### BROIL FUNCTION:

The Broil Function is ideal for fish, beef, steak, vegetables, etc.

1. Place the baking rack to the desired height.
2. Set the Function Knob to" ".
3. Select the length of time you want to Broil the food.
4. Rotate the Temperature knob clockwise to desired temperature.
5. Continuing broiling for desired length of time.
6. Check food broiling temperatures before moving to ensure that proper internal temperatures have been reached.
7. Always remove food with oven mitts. Food and oven are very hot.

### BAKE FUNCTION:

Use the bake function for foods such as less tender cuts of meat, soups and stews

1. Place the baking rack to the desired height.
2. Set the function Knob to " ".
3. Select the length of time you want to Bake the food.
4. Rotate the Temperature knob clockwise to desired temperature.
5. Continuing baking for desired length of time.
6. Check food temperatures before moving to ensure that proper internal temperatures have been reached.
7. Always remove food with oven mitts. Food and oven are very hot.

## CARE AND CLEANING

1. Before cleaning unplug the toaster oven and allow it to cool completely.
2. Wash all the attachments with mild, soaped water including the rack and the baking Tray.
3. Do not use abrasive cleansers, scrubbing brushes and chemical cleaner as this will cause damage to the non-stick coating of baking Tray.
4. Using a wet cloth to wipe the inner of the oven.
5. To clean the door by using a wet cloth saturated with detergent or soap.
6. Never immerse the unit in water or other liquid.
7. Any other servicing should be performed by an authorized service representative.

### NOTE :

The European Directive 2002/96/EC on Waste Electrical and Electronic Equipment (WEEE), requires that old household electrical appliances must not be disposed of in the normal unsorted municipal waste stream. Old appliances must be collected separately in order to optimize the recovery and recycling of the materials they contain and reduce the impact on human health and the environment.

The crossed out “wheeled bin” symbol on the product reminds you of your obligation, that when you dispose of the appliance it must be separately collected.

Consumers should contact their local authority or retailer for information concerning the correct disposal of their old appliance.

