

说明书递交文档

设计 DESIGN	蒋秋兰 2021.07.11	图纸名称 PART NAME				图号/物料编码 PART NO.
校对 CO. BY		MIDEA 马来西亚 MDRT267MTB28 MDRT267MTB30 MDRT267MTB50 (BCD190) 英 马来语说明书				16131000A45323
标准化 STANDARD						材料 MATERIAL 80g双胶纸
业务 seller	周陈陈	图样 标记 REL	版本号 REV. NO	重量 (g)	比例 scale	
批准 AUTHORIZE			0		1:1	美的冰箱事业部 MIDEA REFRIGERATION DIVISION
		共 页 TOTAL SHEETS	第 页 NO. OF SHEETS			

技术要求

- 1、尺寸：210*145mm，40P。
- 2、印刷颜色：单色。印刷应清晰，不能有印刷缺陷。
- 3、切边应成直角，不能歪斜。
- 4、样板需送设计部门认可方可生产。

标记 MARKER	变更内容	修改日期	签名

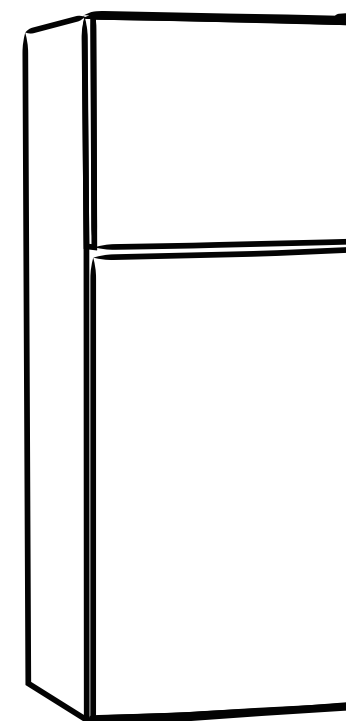


EN

Midea

REFRIGERATOR
Top Freezer

USER MANUAL



Midea

Make yourself at home



Warning:
Before using this product,
please read this manual carefully
and keep it for future reference.
The design and specifications
are subject to change without
prior notice for product
improvement. Consult with your
dealer or manufacturer for
details.

MODEL: MDRT384MTB28
MDRT384MTB30
MDRT384MTB50
SERIES

www.midea.com

CONTENTS

1 Safety warnings

1.1 Warning	1
1.2 Meanings of safety warning symbols	3
1.3 Electricity related warnings	3
1.4 Warnings for using	4
1.5 Warnings for placement	4-5
1.6 Warnings for energy	5
1.7 Warnings for disposal	5

2 Proper use of the refrigerator

2.1 Placement	6
2.2 Levelling feet	7
2.3 Door right-left change	7-10
2.4 Changing the Light	11
2.5 Starting	11
2.6 Energy saving tips	11

3 Structure and functions

3.1 Key components	12
3.2 Functions	13

4 Maintenance and care of the refrigerator

4.1 Overall cleaning	14
4.2 Cleaning glass shelf	14
4.3 Defrosting	15
4.4 Out of operation	15

5 Trouble shooting	16
--------------------	----

1 Safety Warnings

1.1 WARNING



Warning: risk of fire / flammable materials

THIS appliance is intended to be used in household and similar applications such as staff kitchen areas in shops, offices and other working environments; farm houses and by clients in hotels, motels and other residential type environments; bed and breakfast type environments; catering and similar non-retail applications.

THIS appliance is not intended for use by persons (including children) with reduced physical, sensory or mental capabilities, or lack of experience and knowledge, unless they have been given supervision or instruction concerning use of the appliance by a person responsible for their safety.)

CHILDREN should be supervised to ensure that they do not play with the appliance.

If the supply cord is damaged, it must be replaced by the manufacturer, its service agent or similarly qualified persons in order to avoid a hazard.

DO not store explosive substances such as aerosol cans with a flammable propellant in this appliance.

THE appliance has to be unplugged after use and before carrying out user maintenance on the appliance.

WARNING: Keep ventilation openings, in the appliance enclosure or in the built-in structure, clear of obstruction.

WARNING: Do not use mechanical devices or other means to accelerate the defrosting process, other than those recommended by the manufacturer.

WARNING: Do not damage the refrigerant circuit.

WARNING: Do not use electrical appliances inside the food storage compartments of the appliance, unless they are of the type recommended by the manufacturer.

WARNING: Please abandon the refrigerator according to local regulators for its use flammable blowing gas and refrigerant.

WARNING: When positioning the appliance, ensure the supply cord is not trapped or damaged.

WARNING: Do not locate multiple portable socket-outlets or portable power supplies at the rear of the appliance.

DO not use extension cords or ungrounded (two prong) adapters.

WARNING: Risk of child entrapment. Before you throw away your old refrigerator or freezer:

-Take off the doors.

-Leave the shelves in place so that children may not easily climb inside.

THE refrigerator must be disconnected from the source of electrical supply before attempting the installation of accessory.

REFRIGERANT and cyclopentane foaming material used for the appliance are flammable. Therefore, when the appliance is scrapped, it shall be kept away from any fire source and be recovered by a special recovering company with corresponding qualification other than be disposed by combustion, so as to prevent damage to the environment or any other harm.

FOR EN standard: This appliance can be used by children aged from 8 years and above and persons with reduce physical sensory or mental capabilities or lack of experience and knowledge if they have been given supervision or instruction concerning use of the appliance in a safe way and understand the hazards involved. Children shall not play with the appliance. Cleaning and user maintenance shall not be made by children without supervision. Children aged from 3 to 8 years are allowed to load and unload refrigerating appliances.

THE necessity that, for doors or lids fitted with locks and keys, the keys be kept out of the reach of children and not in the vicinity of the refrigerating appliance, in order to prevent children from being locked inside .

TO avoid contamination of food, please respect the following instructions:

- Opening the door for long periods can cause a significant increase of the temperature in the compartments of the appliance.
- Clean regularly surfaces that can come in contact with food and accessible drainage systems.
- Clean water tanks if they have not been used for 48 h; flush the water system connected to a water supply if water has not been drawn for 5 days. (note 1)
- Store raw meat and fish in suitable containers in the refrigerator, so that it is not in contact with or drip onto other food.
- Two-star frozen-food compartments are suitable for storing pre-frozen food, storing or making ice-cream and making ice cubes. (note 2)
- One-, two- and three-star compartments are not suitable for the freezing of fresh food. (note 3)
- For appliances without a 4-star compartment: this refrigerating appliance is not suitable for freezing foodstuffs.(note 4)
- If the refrigerating appliance is left empty for long periods, switch off, defrost, clean, dry, and leave the door open to prevent mould developing within the appliance.




Note 1,2,3,4:Please confirm whether it is applicable according to your product compartment type.

FOR a freestanding appliance: this refrigerating appliance is not intended to be used as a built-in appliance.

ANY replacement or maintenance of the LED lamp is intended to be made by the manufacturer, its service agent or similar qualified person.

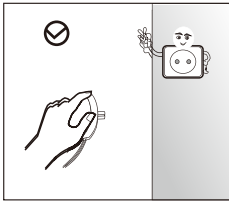
This product contains a light source of energy efficiency class (G).

1.2 Meaning of safety warning symbols

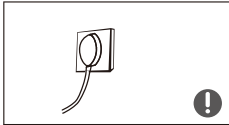
	This is a prohibition symbol. Any in compliance with instructions marked with this symbol may result in damage to the product or endanger the personal safety of the user.
	This is a warning symbol. It is required to operate in strict observance of instructions marked with this symbol; or otherwise damage to the product or personal injury may be caused.
	This is a cautioning symbol. Instructions marked with this symbol require special caution. Insufficient caution may result in slight or moderate injury, or damage to the product.

This manual contains lots of important safety information which shall be observed by the users.

1.3 Electricity related warnings



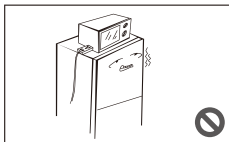
- Do not pull the power cord when pulling the power plug of the refrigerator. Please firmly grasp the plug and pull out it from the socket directly.
- To ensure safe use, do not damage the power cord or use the power cord when it is damaged or worn.



- Please use a dedicated power socket and the power socket shall not be shared with other electrical appliances. The power plug should be firmly contacted with the socket or else fires might be caused.
- Please ensure that the grounding electrode of the power socket is equipped with a reliable grounding line.

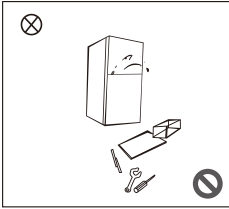


- Please turn off the valve of the leaking gas and then open the doors and windows in case of leakage of gas and other flammable gases. Do not unplug the refrigerator and other electrical appliances considering that spark may cause a fire.

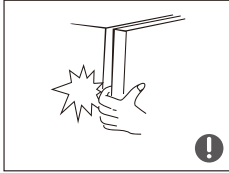


- Do not use electrical appliances on the top of the appliance, unless they are of the type recommended by the manufacturer.

1.4 Warnings for using



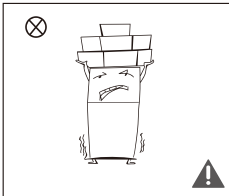
- Do not arbitrarily disassemble or reconstruct the refrigerator, nor damage the refrigerant circuit; maintenance of the appliance must be conducted by a specialist
- Damaged power cord must be replaced by the manufacturer, its maintenance department or related professionals in order to avoid danger.



- The gaps between refrigerator doors and between doors and refrigerator body are small, be noted not to put your hand in these areas to prevent from squeezing the finger. Please be gentle when close the refrigerator door to avoid falling articles.
- Do not pick foods or containers with wet hands in the freezing chamber when the refrigerator is running, especially metal containers in order to avoid frostbite.

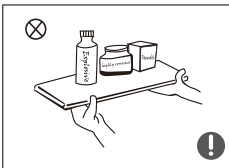


- Do not allow any child to get into or climb the refrigerator; otherwise suffocation or falling injury of the child may be caused.

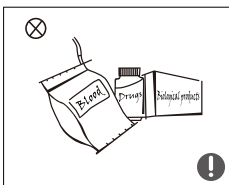


- Do not place heavy objects on the top of the refrigerator considering that objects may fall when close or open the door, and accidental injuries might be caused.

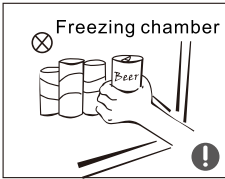
1.5 Warnings for placement



- Do not put flammable, explosive, volatile and highly corrosive items in the refrigerator to prevent damages to the product or fire accidents.
- Do not place flammable items near the refrigerator to avoid fires.



- The refrigerator is intended for household use, such as storage of foods; it shall not be used for other purposes, such as storage of blood, drugs or biological products, etc.



- Do not store beer, beverage or other fluid contained in bottles or enclosed containers in the freezing chamber of the refrigerator; or otherwise the bottles or enclosed containers may crack due to freezing to cause damages.

1.6 Warnings for energy

Warning for energy

- 1) Refrigerating appliances might not operate consistently (possibility of defrosting of contents or temperature becoming too warm in the frozen food compartment) when sited for an extended period of time below the cold end of the range of temperatures for which the refrigerating appliance is designed.
- 2) The fact that effervescent drinks should not be stored in food freezer compartments or cabinets or in low-temperature compartments or cabinets, and that some products such as water ices should not be consumed too cold;
- 3) The need to not exceed the storage time(s) recommended by the food manufacturers for any kind of food and particularly for commercially quick-frozen food in food-freezer and frozen-food storage compartments or cabinets;
- 4) The precautions necessary to prevent an undue rise in the temperature of the frozen food while defrosting the refrigerating appliance, such as wrapping the frozen food in several layers of newspaper.
- 5) The fact that a rise in temperature of the frozen food during manual defrosting, maintenance or cleaning could shorten the storage life.
- 6) The necessity that, for doors or lids fitted with locks and keys, the keys be kept out of the reach of children and not in the vicinity of the refrigerating appliance, in order to prevent children from being locked inside.

1.7 Warnings for disposal

Refrigerant and cyclopentane foaming material used for the refrigerator are flammable. Therefore, when the refrigerator is scrapped, it shall be kept away from any fire source and be recovered by a special recovering company with corresponding qualification other than be disposed by combustion, so as to prevent damage to the environment or any other harm.

When the refrigerator is scrapped, disassemble the doors, and remove gasket of door and shelves; put the doors and shelves in a proper place, so as to prevent trapping of any child.

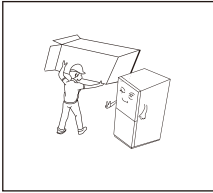


Correct Disposal of this product :

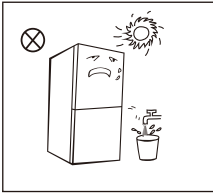
This marking indicates that this product should not be disposed with other household wastes. To prevent possible harm to the environment or human health from uncontrolled waste disposal, recycle it responsibly to promote the sustainable reuse of material resources. To return your used device, please use the return and collection systems or contact the retailer where the product was purchased. They can take this product for environmental safe recycling.

2 Proper use of the refrigerator

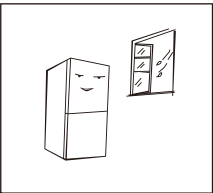
2.1 Placement



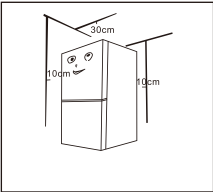
- Before use, remove all packing materials, including bottom cushions, foam pads and tapes inside of the refrigerator; tear off the protective film on the doors and the refrigerator body.



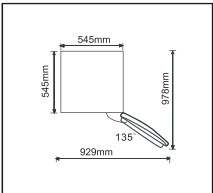
- Keep away from heat and avoid direct sunlight. Do not place the freezer in moist or watery places to prevent rust or reduction of insulating effect.
- Do not spray or wash the refrigerator; do not put the refrigerator in moist places easy to be splashed with water so as not to affect the electrical insulation properties of the refrigerator.



- The refrigerator is placed in a well-ventilated indoor place; the ground shall be flat, and sturdy (rotate left or right to adjust the wheel for levelling if unstable).



- This refrigerator needs to be installed independently and cannot be used as a built-in. Otherwise, it will cause problems such as failure to install into the cabinet, the performance and life of the product are reduced. And the manufacturer does not provide basic product warranty.
- The top space of the refrigerator shall be greater than 30cm, and the refrigerator should be placed against a wall with a free distance more than 10cm to facilitate heat dissipation.



- Spare enough space for convenient opening of the doors and drawers or statement by the distributor.

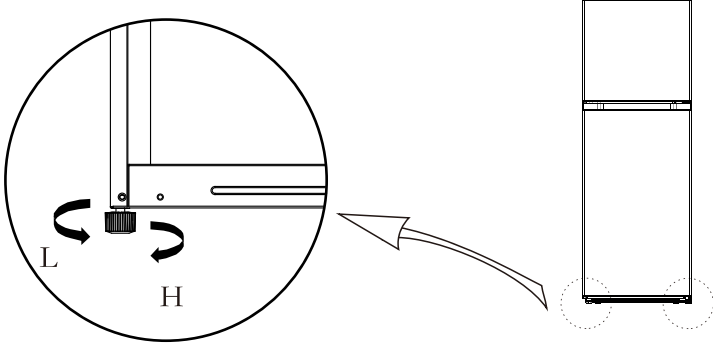
ⓘ Precautions before installation:

Before installation or adjusting of accessories, it shall be ensured that the refrigerator is disconnected from power.

Precautions shall be taken to prevent fall of the handle from causing any personal injury.

2.2 Leveling feet

Schematic diagram of the leveling feet







(The picture above is only for reference. The actual configuration will depend on the physical product or statement by the distributor)

Adjusting procedures:

- Turn the feet clockwise to raise the refrigerator;
- Turn the feet counterclockwise to lower the refrigerator;
- Adjust the right and left feet based on the procedures above to a horizontal level.

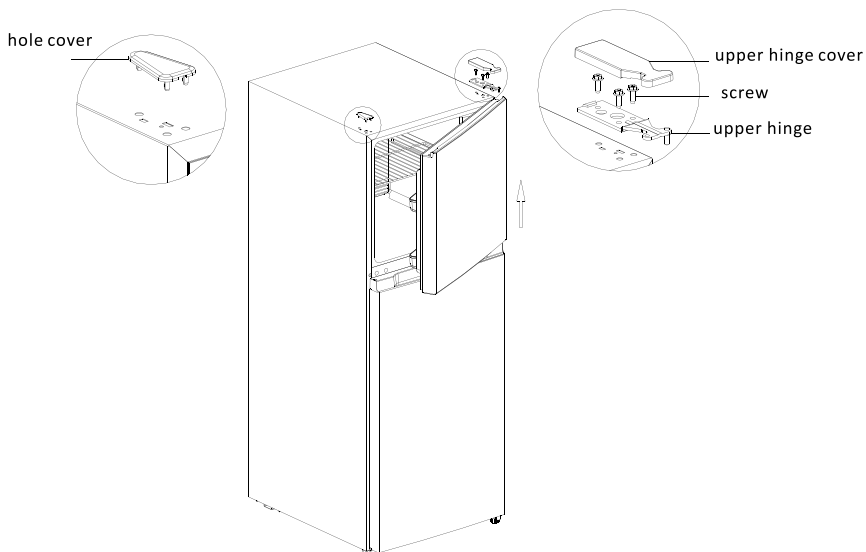
2.3 Door Right-Left Change

List of tools to be provided by the user			
	Cross screwdriver		Putty knife thin-blade screwdriver
	5/16" socket and ratchet		Masking tape

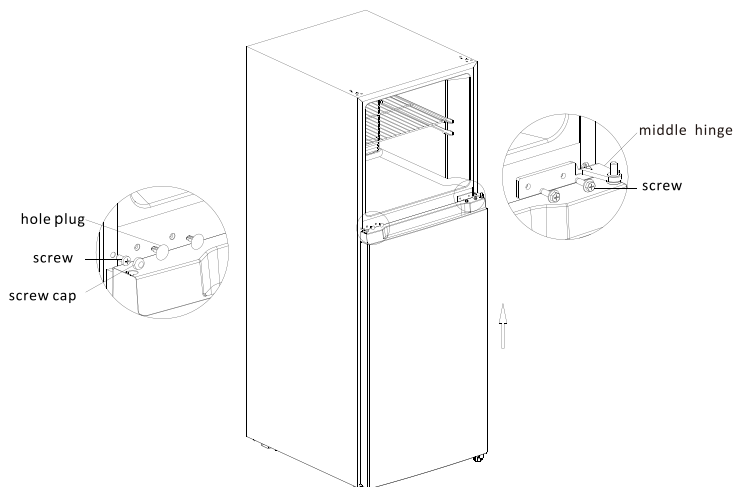
Parts to be used for door reverse			
SN	part	Quantity	Notes
1	Right upper hinge	1	Pre-installed on the refrigerator and to be used when changing the door
2	Right upper hinge cover	1	Pre-installed on the refrigerator and to be used when changing the door
3	Upper hinge axle sleeve	1	Pre-installed on the refrigerator and to be used when changing the door
4	Upper hinge screw	3	Pre-installed on the refrigerator and to be used when changing the door
5	Hole cover	1	Pre-installed on the refrigerator and to be used when changing the door
6	Middle hinge screw	2	Pre-installed on the refrigerator and to be used when changing the door
7	Middle hinge	1	Pre-installed on the refrigerator and to be used when changing the door
8	Hole plug	2	Pre-installed on the refrigerator and to be used when changing the door
9	Middle beam screw	1	Pre-installed on the refrigerator and to be used when changing the door
10	Middle beam screw cap	1	Pre-installed on the refrigerator and to be used when changing the door
11	Adjustable foot	1	Pre-installed on the refrigerator and to be used when changing the door
12	Lower hinge screw	3	Pre-installed on the refrigerator and to be used when changing the door
13	Lower hinge assembly	1	Pre-installed on the refrigerator and to be used when changing the door
14	Lower end cover screw of freezing door	1	Pre-installed on the refrigerator and to be used when changing the door
15	Lower end cover limiting block of freezing door	1	Pre-installed on the refrigerator and to be used when changing the door
16	Lower end cover screw of refrigerate door	1	Pre-installed on the refrigerator and to be used when changing the door
17	Lower end cover limiting block of refrigerate door	1	Pre-installed on the refrigerator and to be used when changing the door
18	Upper end cover axle sleeve of refrigerate door	1	Pre-installed on the refrigerator and to be used when changing the door

1) Please power off this appliance before conduct this operation. Remove all food from door shelves.

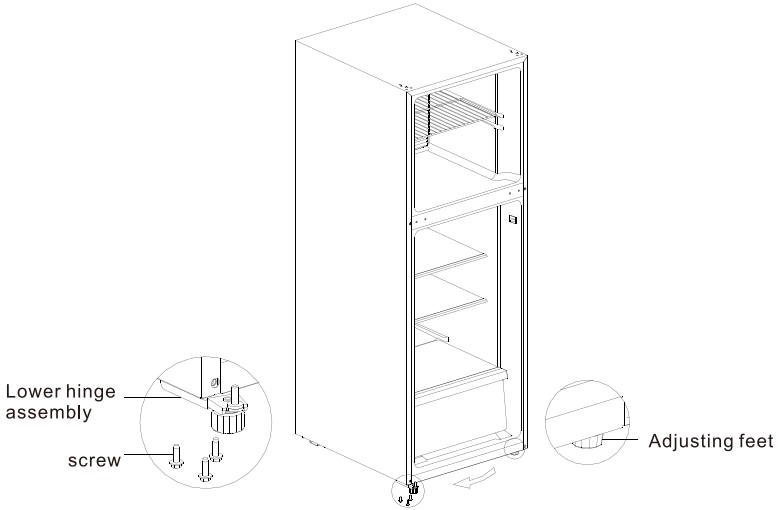
2) Remove hole cap, the upper hinge cover, fitting screws of upper hinge, upper hinge and sleeve pipe, then uplift the freezer door until it is separated from cabinet completely.



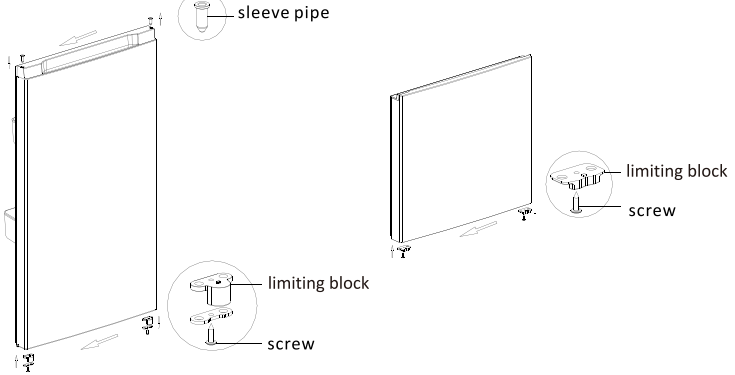
3) Unscrew the middle hinge screws, remove the middle hinge, and remove the two hole plug, a screw, a screw cap on the middle beam, then remove the refrigerator door.



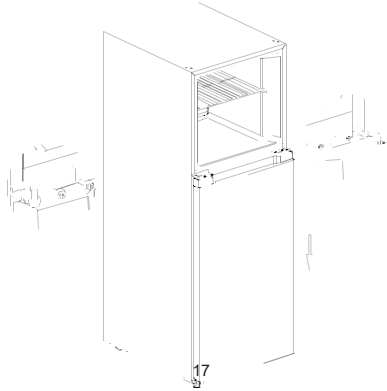
4) Remove the adjusting feet, lower hinge screw and lower hinge assembly, then install the lower hinge assembly on the other side of the box and install the adjusting feet on the side of the adjusting feet opening.



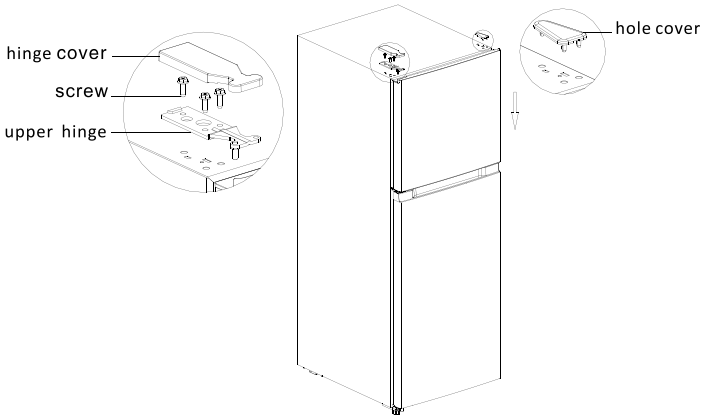
5) Dismantle the limiting blocks and screws on the lower cover of both refrigerator door and freezing door, install them on the other side of both doors; then install the sleeve pipe on the upper cover of the refrigerator door on the other side.



6) Install the refrigerator door on the lower hinge and then install the middle hinge and hole caps.

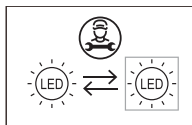


7) Install the freezing door on the middle hinge, and install the upper hinge, hinge cover and hole cover.



(The picture above is only for reference. The actual configuration will depend on the physical product or statement by the distributor)

2.4 Changing the Light

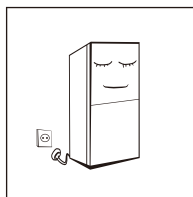


- Any replacement or maintenance of the LED lamps is intended to be made by the manufacturer, its service agent or similar qualified person.

Light source in this product is replaceable only by qualified engineers.

	<p>1. Please take out the plug before removal.</p>		<p>2. Remove the lampshade with a screwdriver.</p>
	<p>3. Take down the lamp panel.</p>		<p>4. Remove the connection terminal.</p>

2.5 Starting



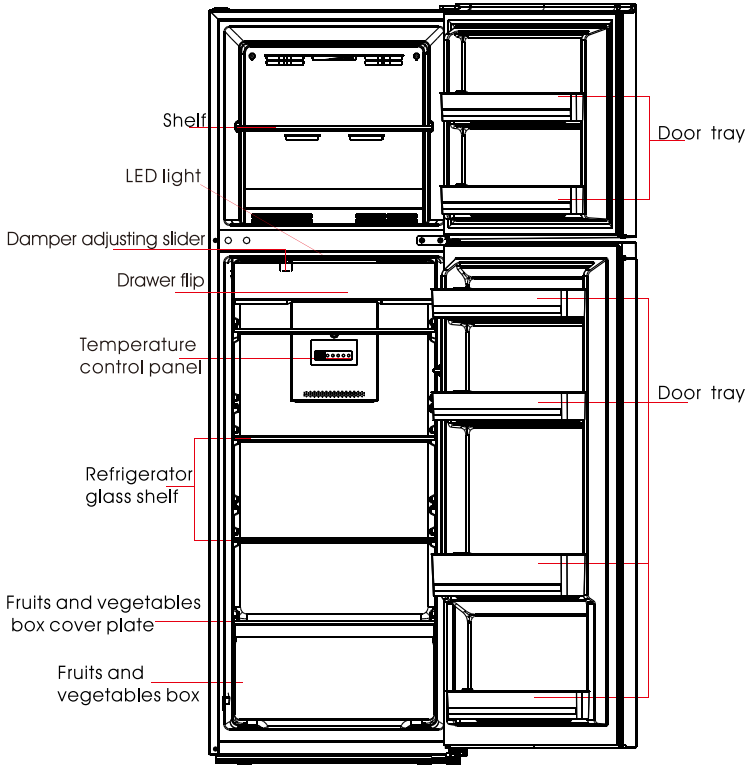
- After transportation, please let the product stay for more than 2 hours before turning on the power, otherwise it will lead to a decrease in cooling capacity or a damage to the product.
- Before putting any fresh or frozen foods, the refrigerator shall have run for 2-3 hours, or for above 4 hours in summer when the ambient temperature is high.
- Please pull out the plug in case of power failure or cleaning. Do not connect the freezer to power supply within five minutes to prevent damages to the compressor due to successive starts.

2.6 Energy saving tips

- The appliance should be located in the coolest area of the room, away from heat producing appliances or heating ducts, and out of the direct sunlight.
- Let hot foods cool to room temperature before placing in the appliance. Overloading the appliance forces the compressor to run longer. Foods that freeze too slowly may lose quality, or spoil.
- Be sure to wrap foods properly, and wipe containers dry before placing them in the appliance. This cuts down on frost build-up inside the appliance.
- Appliance storage bin should not be lined with aluminum foil, wax paper, or paper toweling. Liners interfere with cold air circulation, making the appliance less efficient.
- Organize and label food to reduce door openings and extended searches. Remove as many items as needed at one time, and close the door as soon as possible.

3 Structure and functions

3.1 Key components



(The picture above is only for reference. The actual configuration will depend on the physical product or statement by the distributor)

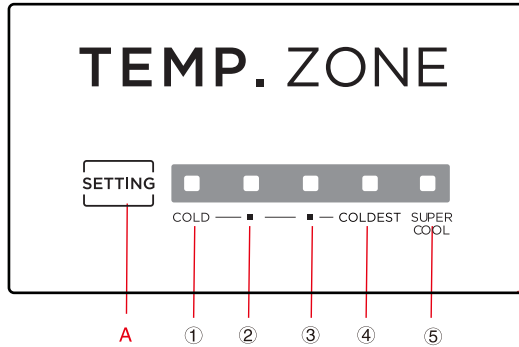
Refrigerating chamber

- The Refrigerating Chamber is suitable for storage of a variety of fruits, vegetables, beverages and other food consumed in the short term.
- Cooking foods shall not be put in the refrigerating chamber until cooled to room temperature.
- Foods are recommended to be sealed up before putting into the refrigerator.
- The glass shelves can be adjusted up or down for a reasonable amount of storage space and easy use.

Freezing chamber

- The low temperature freezing chamber may keep food fresh for a long time and it is mainly used to store frozen foods and making ice.
- The freezing chamber is suitable for storage of meat, fish, rice balls and other foods not to be consumed in short term.
- Chunks of meat are preferably to be divided into small pieces for quick freezing and easy access. Please be noted food shall be consumed within the shelf time.

3.2 Functions



Notes:

(The picture above is only for reference. The actual configuration will depend on the physical product or statement by the distributor)

1)Setting button
A: Setting button

2)Display screen
LED: ① gear(COLD) LED: ② gear LED: ③ gear
LED: ④ gear (COLDEST) LED: ⑤ gear(SUPER COOL)

3)Display

When the refrigerator is on power, the display screen all LED light for 3 seconds, the default temperature is MID(③ gear).

When there is a failure, the LED light shows the fault code (loop display), the LED light displays as following table:

Error code	Error description
LED①,②flashing	Temperature sensor failure of refrigerating chamber
LED①,③ flashing	Defrost temperature sensor failure of freezing chamber
LED①,④ flashing	The ambient temperature sensor failure

4)Gear setting

Every time you press setting button, the gear changes once, after setting the gear15s, the refrigerator will run according to the setting value.

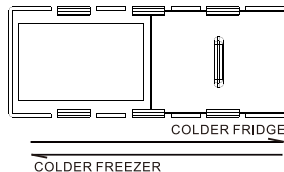
Gear adjustment to:



5)Memory Function

The refrigerator can keep memory of following running status when power off.

6)Damper adjusting slider



The initial position of the damper adjusting slider is on the far right side.


For better user experienc,it is recommended to push the slider to right position,and turn the SETTING KEY to MID position.If it is not enough cool inside the refrigerator compartment, please check whether the slider is in left position,turn the slider to the right side.

Note: The quick-freezing function is designed to maintain the nutritional value of the food in the freezer. It can freeze the food in the shortest time. If a large amount of food is frozen at one time, it is recommended that the user turn on the quick-freezing function and put the food in. At this time, the freezing speed of the freezer compartment is increased, which can quickly freeze the food, effectively lock the nutrition of the food, and facilitate storage.

4 Maintenance and care of the refrigerator

4.1 Overall cleaning

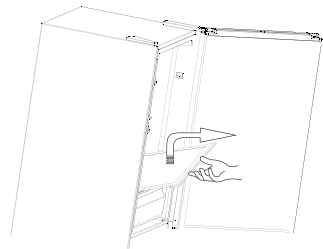
- Dusts behind the refrigerator and on the ground shall be timely cleaned to improve the cooling effect and energy saving.
- Check the door gasket regularly to make sure there are no debris. Clean the door gasket with a soft cloth dampened with soapy water or diluted detergent.
- The interior of the refrigerator should be cleaned regularly to avoid odor.
- Please turn off the power before cleaning interior, remove all foods, drinks ,shelves, drawers, etc.
- Use a soft cloth or sponge to clean the inside of the refrigerator, with two tablespoons of baking soda and a quart of warm water. Then rinse with water and wipe clean. After cleaning, open the door and let it dry naturally before turning on the power.
- For areas that are difficult to clean in the refrigerator (such as narrow sandwiches, gaps or corners), it is recommended to wipe them regularly with a soft rag, soft brush, etc. and when necessary, combined with some auxiliary tools (such as thin sticks) to ensure no contaminants or bacterials accumulation in these areas.
- Do not use soap, detergent, scrub powder, spray cleaner, etc., as these may cause odors in the interior of the refrigerator or contaminated food.
- Clean the bottle frame, shelves and drawers with a soft cloth dampened with soapy water or diluted detergent. Dry with a soft cloth or dry naturally.
- Wipe the outer surface of the refrigerator with a soft cloth dampened with soapy water, detergent, etc., and then wipe dry.
- Do not use hard brushes, clean steel balls, wire brushes, abrasives (such as toothpastes), organic solvents (such as alcohol, acetone, banana oil, etc.), boiling water, acid or alkaline items, which may damage the fridge surface and interior. Boiling water and organic solvents such as benzene may deform or damage plastic parts.
- Do not rinse directly with water or other liquids during cleaning to avoid short circuits or affect electrical insulation after immersion.

 Please unplug the refrigerator for defrost and cleaning.



4.2 Cleaning the glass shelf

- Lift up the front of glass shelf, and then pull out;
- Remove the glass shelf and clean as needed;
- The reverse operation is for installation of glass shelf.



4.3 Defrosting

- The refrigerator is made based on the air-cooling principle and thus has automatic defrosting function. Frost formed due to change of season or temperature may also be manually removed by disconnection of the appliance from power supply or by wiping with a dry towel.

4.4 Out of operation

- Power failure: In case of power failure, even if it is in summer, foods inside the appliance can be kept for several hours; during the power failure, the times of door opening shall be reduced, and no more fresh food shall be put into the appliance.
- Long-time nonuse: The appliance shall be unplugged and then cleaned; then the doors are left open to prevent odor.
- Moving: Before the refrigerator is moved, take all objects inside out, fix the glass partitions, vegetable holder, freezing chamber drawers and etc. with tape, and tighten the leveling feet; close the doors and fix them with tape. During moving, the appliance shall not be laid upside down or horizontally, or be vibrated; the inclination during movement shall be no more than 45°.



The appliance shall run continuously once it is started. Generally, the operation of the appliance shall not be interrupted; otherwise the service life may be impaired.

5 Trouble shooting

You may try to solve the following simple problems by yourself. If them cannot be solved, please contact the after-sales department.

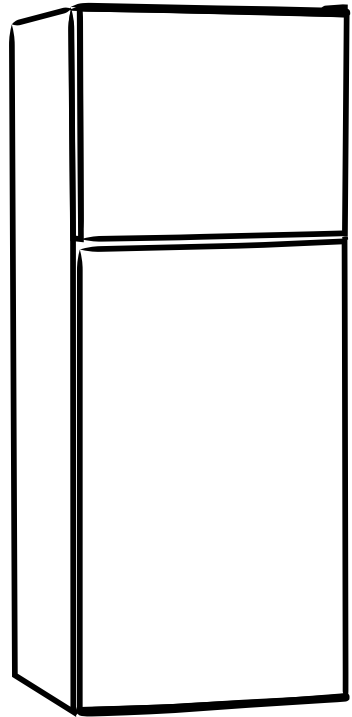
Failed operation	<p>Check whether the appliance is connected to power or whether the plug is in well contact .</p> <p>Check whether the voltage is too low.</p> <p>Check whether there is a power failure or partial circuits have tripped.</p>
Odor	<p>Odorous foods shall be tightly wrapped.</p> <p>Check whether there is any rotten food.</p> <p>Clean the inside of the refrigerator.</p>
Long-time operation of the compressor	<p>Long operation of the refrigerator is normal in summer when the ambient temperature is high.</p> <p>It is not recommended having too much food in the appliance at the same time.</p> <p>Food shall get cool before being put into the appliance.</p> <p>The doors are opened too frequently.</p>
Light fails to get lit	<p>Check whether the refrigerator is connected to power supply and whether the illuminating light is damaged.</p>
Doors cannot be properly closed	<p>The door is stuck by food packages.</p> <p>The refrigerator is tilted.</p>
Loud noise	<p>Check whether the floor is level and whether the refrigerator is placed stably.</p> <p>Check whether accessories are placed at proper locations.</p>
Door seal fails to be tight	<p>Remove foreign matters on the door seal.</p> <p>Heat the door seal and then cool it for restoration (or blow it with an electrical drier or use a hot towel for heating).</p>
Water pan overflows	<p>There is too much food in the chamber or food stored contains too much water,resulting in heavy defrosting.</p> <p>The doors are not closed properly, resulting in frosting due to entry of air and increased water due to defrosting.</p>
Hot cabinet	<p>Heat dissipation of the built-in condenser via the housing, which is normal.</p> <p>When housing becomes hot due to high ambient temperature and storage of too much food,it is recommended to provide sound ventilation to facilitate heat dissipation.</p>
Surface condensation	<p>Condensation on the exterior surface and door seals of the refrigerator is normal when the ambient humidity is too high. Just wipe the condensate with a clean towel.</p>
Abnormal noise	<p>Buzz: The compressor may produce buzzes during operation, and the buzzes are loud particularly upon start or stop. This is normal.</p> <p>Creak: Refrigerant flowing inside of the appliance may produce creak, which is normal.</p>



MS

**PETI SEJUK
TOP FREEZER**

MANUAL PENGGUNA



Amaran:

Sebelum menggunakan produk ini, sila baca manual ini dengan teliti dan simpan untuk rujukan masa hadapan. Reka bentuk dan spesifikasi boleh berubah tanpa notis awal untuk penambahbaikan produk. Rujuk wakil penjual anda atau pengilang untuk butiran.

**MODEL: MDRT384MTB28
MDRT384MTB30
MDRT384MTB50
SERIES**

www.midea.com

KANDUNGAN

1	Amaran Keselamatan.....	1
1.1	AMARAN	1
1.2	Maksud simbol amaran keselamatan	3
1.3	Amaran berkaitan elektrik	3
1.4	Amaran penggunaan	4
1.5	Amaran peletakan.....	4
1.6	Amaran untuk tenaga	5
1.7	Amaran pelupusan.....	5
2	Penggunaan betul peti sejuk	6
2.1	Peletakan	6
2.2	Kaki perata.....	7
2.3	Tukar pintu kanan-kiri	7
2.4	Mengubah Lampu	11
2.5	Bermula	11
2.6	Petua penjimatan tenaga	11
3	Struktur dan fungsi.....	12
3.1	Komponen utama	12
3.2	Fungsi	13
4	Penyelenggaraan dan penjagaan peti sejuk	15
4.1	Pembersihan keseluruhan	15
4.2	Pembersihan rak kaca	15
4.3	Penyahfrosan.....	16
4.4	Tidak beroperasi	16
5	Penyelesaian masalah.....	17

1 Amaran Keselamatan

1.1 AMARAN



Amaran: risiko kebakaran / bahan mudah terbakar

PERKAKAS ini bertujuan untuk digunakan dalam rumah dan penggunaan yang serupa seperti kawasan dapur staf di kedai, pejabat dan persekitaran kerja lain; rumah ladang dan oleh pelanggan di hotel, motel dan persekitaran jenis kediaman lain; persekitaran jenis penginapan dan sarapan; catering dan penggunaan bukan runcit yang serupa.

PERKAKAS ini tidak dibuat untuk digunakan oleh orang (termasuk kanak-kanak) yang kurang keupayaan fizikal, deria atau mental, atau kurang pengalaman dan pengetahuan, melainkan mereka telah diberi pengawasan atau arahan mengenai penggunaan perkakas oleh orang yang bertanggungjawab terhadap keselamatan mereka.)

KANAK-KANAK perlu diawasi untuk memastikan mereka tidak bermain dengan perkakas ini. Jika kord bekalan rosak, ia mesti diganti oleh pengilang, ejen servisnya atau orang berkelayakan yang serupa untuk mengelakkan bahaya.

JANGAN simpan bahan letupan seperti tin aerosol dengan bahan propelan mudah terbakar di dalam perkakas ini.

PERKAKAS perlu dicabut palamnya selepas digunakan dan sebelum melaksanakan penyelenggaraan penggunaan terhadap perkakas.

AMARAN: Pastikan pengudaraan dibuka, dalam kurungan perkakas atau dalam struktur terbina dalam, bebas daripada halangan.

AMARAN: Jangan gunakan peranti mekanikal atau cara lain untuk mempercepatkan proses penyahfros, selain daripada yang disyorkan oleh pengilang.

AMARAN: Jangan rosakkan litar penyejuk.

AMARAN: Jangan gunakan peralatan elektrik di dalam petak penyimpanan makanan perkakas, melainkan ia daripada jenis yang disyorkan oleh pengilang.

AMARAN: Sila tinggalkan peti sejuk mengikut regulator lokal kerana ia menggunakan gas peniup mudah terbakar dan penyejuk.

AMARAN: Apabila meletakkan perkakas, pastikan kord bekalan tidak terperangkap atau rosak.

AMARAN: Jangan letak soket alur keluar mudah alih yang pelbagai atau bekalan kuasa mudah alih di bahagian belakang perkakas.

JANGAN gunakan kord sambungan atau penyesuai yang tidak dibumikan (dua serampang).

AMARAN: Risiko kanak-kanak terperangkap. Sebelum anda membuang peti sejuk atau pembeku lama anda:

- Tanggalkan pintu.
- Biarkan rak di tempatnya supaya kanak-kanak tidak mudah memanjat ke dalam.

PETI sejuk mesti diputuskan sambungan daripada sumber bekalan elektrik sebelum mencuba pemasangan aksesori.

BAHAN PENYEJUK dan bahan pembusa siklopentana yang digunakan untuk perkakas adalah mudah terbakar. Oleh itu, apabila perkakas dibuang, ia hendaklah dijauhkan daripada mana-mana punca kebakaran dan diambil oleh syarikat pengambilan khas dengan kelayakan yang sepadan bukannya dilupuskan melalui pembakaran, untuk mengelakkan kerosakan kepada alam sekitar atau sebarang bahaya lain.

UNTUK standard EN: Perkakas ini boleh digunakan oleh kanak-kanak berumur dari 8 tahun ke atas dan orang yang kurang keupayaan fizikal deria atau mental atau kurang pengalaman dan pengetahuan jika mereka telah diberi penyeliaan atau arahan mengenai penggunaan perkakas dengan cara yang selamat dan memahami bahaya terbabit. Kanak-kanak tidak boleh bermain dengan perkakas. Pembersihan dan penyelenggaraan pengguna tidak boleh dibuat oleh kanak-kanak tanpa pengawasan. Kanak-kanak berumur dari 3 hingga 8 tahun dibenarkan memuat dan memunggah perkakas penyejukan.

ADALAH menjadi keperluan untuk pintu atau penutup yang dipasang dengan mangga dan kunci, kunci itu dijauhkan daripada capaian kanak-kanak dan bukan di sekitar alat penyejukan, untuk mengelakkan kanak-kanak daripada terkunci di dalam.

UNTUK mengelakkan pencemaran makanan, sila patuhi arahan berikut:

- Membuka pintu untuk tempoh yang lama boleh menyebabkan peningkatan ketara suhu dalam petak perkakas.
- Bersihkan dengan kerap permukaan yang bersentuhan dengan makanan dan sistem saliran yang boleh diakses.
- Bersihkan tangki air jika ia tidak digunakan selama 48 jam; siram sistem air yang disambungkan kepada bekalan air jika air tidak diambil selama 5 hari. (nota 1)
- Simpan daging dan ikan mentah dalam bekas yang sesuai di dalam peti sejuk, supaya ia tidak bersentuhan atau menitis ke makanan lain.
- Petak makanan sejuk beku dua bintang sesuai untuk menyimpan makanan prabeku, menyimpan atau membuat ais krim dan membuat kiub ais. (nota 2)
- Petak satu, dua dan tiga bintang tidak sesuai untuk membekukan makanan segar. (nota 3)
- Untuk perkakas tanpa petak 4 bintang: perkakas penyejukan ini tidak sesuai untuk membekukan bahan makanan. (nota 4)
- Jika perkakas penyejuk dibiarkan kosong untuk tempoh yang lama, matikan, nyahfros, bersihkan, keringkan, dan biarkan pintu terbuka untuk mengelakkan kulat berkembang di dalam perkakas.




Nota 1, 2, 3, 4: Sila sahkan sama ada ia boleh digunakan mengikut jenis petak produk anda.

UNTUK perkakas berdiri bebas: perkakas penyejukan ini bukan bertujuan untuk digunakan sebagai perkakas terbita dalam.

SEBARANG penggantian atau penyelenggaraan lampu LED bertujuan untuk dibuat oleh pengilang, ejen perkhidmatannya atau orang berkelayakan yang serupa.

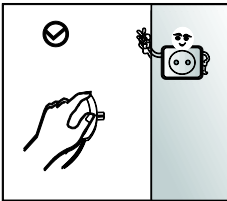
Produk ini mengandungi sumber cahaya kelas kecekapan tenaga (G).

1.2 Maksud simbol amaran keselamatan

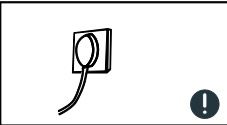
 Simbol larangan	Ini ialah simbol larangan. Sebarang ketidakpatuhan terhadap arahan yang ditandakan dengan simbol ini boleh mengakibatkan kerosakan pada produk atau membahayakan keselamatan diri pengguna.
 Simbol amaran	Ini ialah simbol amaran. Anda mestilah menjalankan operasi dengan kepatuhan ketat bagi arahan yang ditanda dengan simbol ini; atau boleh menyebabkan kerosakan pada produk atau kecederaan peribadi.
 Simbol nota	Ini ialah simbol berwaspada. Arahan yang ditanda dengan simbol ini memerlukan perhatian khusus. Berhati-hati yang tidak mencukupi boleh mengakibatkan kecederaan ringan atau sederhana, atau kerosakan pada produk.

Manual ini mengandungi banyak maklumat keselamatan penting yang perlu dipatuhi oleh pengguna.

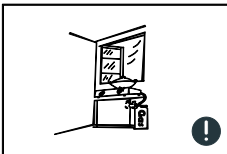
1.3 Amaran berkaitan elektrik



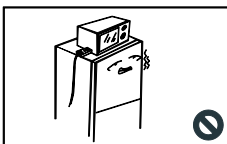
- Jangan tarik kord kuasa semasa menarik plag kuasa peti sejuk. Sila genggam plag dengan kuat dan cabut terus dari soket.
- Untuk memastikan penggunaan yang selamat, jangan rosakkan kord kuasa atau gunakan kord kuasa apabila ia rosak atau haus.



- Sila gunakan soket kuasa khusus dan soket kuasa tidak boleh dikongsi dengan perkakas elektrik lain. Plag kuasa hendaklah dipasang dengan rapat pada soket atau kebakaran mungkin berlaku.
- Sila pastikan bahawa elektrod pbumian soket kuasa dilengkapi dengan talian pbumian yang boleh dipercayai.

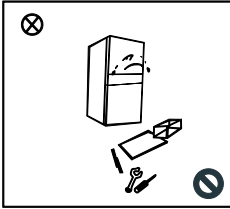


- Sila matikan injap gas yang bocor dan kemudian buka pintu dan tingkap sekiranya berlaku kebocoran gas dan gas mudah terbakar lain. Jangan cabut plag peti sejuk dan perkakas elektrik lain kerana percikan api boleh menyebabkan kebakaran.

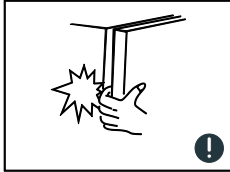


- Jangan gunakan perkakas elektrik di atas perkakas, melainkan ia daripada jenis yang disyorkan oleh pengilang.

1.4 Amaran penggunaan



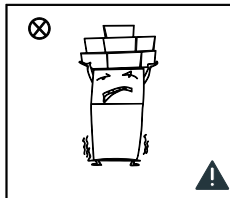
- Jangan sewenang-wenangnya membuka atau membina semula peti sejuk, atau merosakkan litar penyejuk; penyelenggaraan perkakas mesti dijalankan oleh
- Kord kuasa yang rosak mesti digantikan oleh pengilang, jabatan penyelenggaraannya atau profesional yang berkaitan untuk mengelakkan bahaya.



- Jurang antara pintu peti sejuk dan antara pintu dan badan peti sejuk adalah kecil, jangan meletakkan tangan anda di kawasan ini untuk mengelakkan tersepit jari. Sila berhati-hati semasa menutup pintu peti sejuk untuk mengelakkan barang terjatuh.
- Jangan ambil makanan atau bekas dengan tangan basah di dalam ruang pembekuan semasa peti sejuk beroperasi, terutamanya bekas logam untuk mengelakkan luka beku.

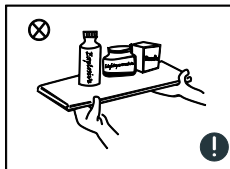


- Jangan benarkan mana-mana kanak-kanak masuk ke dalam atau memanjat peti sejuk; jika tidak boleh menyebabkan kanak-kanak lemas atau cedera apabila terjatuh.

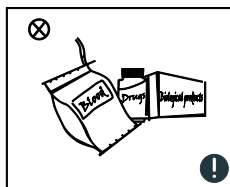


- Jangan letakkan objek berat di bahagian atas peti sejuk kerana objek tersebut mungkin terjatuh ketika membuka atau menutup pintu, dan mungkin menyebabkan kecederaan tidak sengaja.

1.5 Amaran peletakan



- Jangan letakkan barang mudah terbakar, mudah meletup, meruap dan sangat menghakis di dalam peti sejuk untuk mengelakkan kerosakan pada produk atau kemalangan kebakaran.
- Jangan letak barang mudah terbakar berhampiran peti sejuk untuk mengelakkan kebakaran.



- Peti sejuk bertujuan untuk kegunaan isi rumah, seperti penyimpanan makanan; ia tidak boleh digunakan untuk tujuan lain, seperti penyimpanan darah, ubat-ubatan atau produk biologi, dsb.



- Jangan simpan bir, minuman atau cecair lain dalam botol atau bekas tertutup di dalam ruang pembekuan peti sejuk; jika tidak, botol atau bekas tertutup mungkin retak akibat pembekuan dan menyebabkan kerosakan.

1.6 Amaran untuk tenaga

Amaran untuk tenaga

- 1) Perkakas penyejukan mungkin tidak beroperasi secara konsisten (berkemungkinan penyahfros kandungan atau suhu menjadi terlalu hangat dalam petak makanan beku) apabila diletakkan untuk tempoh masa yang panjang di bawah julat suhu sejuk yang direka untuk perkakas penyejuk ini.
- 2) Minuman berbuih tidak boleh disimpan dalam petak atau kabinet pembeku makanan suhu rendah, dan sesetengah produk seperti ais air tidak boleh diambil terlalu sejuk;
- 3) Jangan melebihi masa penyimpanan yang disyorkan oleh pengilang makanan untuk apa-apa jenis makanan dan khususnya untuk makanan cepat beku komersial dalam ruang atau kabinet penyimpanan makanan beku cepat dan beku;
- 4) Langkah berjaga-jaga adalah perlu untuk mengelakkan kenaikan suhu makanan sejuk beku yang tidak wajar semasa menyahfros perkakas penyejuk, seperti membungkus makanan sejuk beku dalam beberapa lapisan surat khabar.
- 5) Ketahui bahawa kenaikan suhu makanan beku semasa penyahfros manual, penyelenggaraan atau pembersihan boleh memendekkan hayat penyimpanan.
- 6) Adalah menjadi keperluan untuk pintu atau penutup yang dipasang dengan mangga dan kunci, kunci itu dijauhkan daripada capaian kanak-kanak dan bukan di sekitar alat penyejukan, untuk mengelakkan kanak-kanak daripada terkunci di dalam.

1.7 Amaran pelupusan

Bahan penyejuk dan busa siklopentana yang digunakan untuk peti sejuk adalah mudah terbakar. Oleh itu, apabila peti sejuk dibuang, ia hendaklah dijauhkan daripada

- kelayakan yang sepadan bukannya dilupuskan melalui pembakaran, untuk mengelakkan kerosakan kepada alam sekitar atau sebarang bahaya lain.

- Apabila peti sejuk dibuang, tanggalkan pintunya, dan keluarkan gasket pintu dan rak; letakkan pintu dan rak di tempat yang betul, untuk mengelakkan kanak-kanak terperangkap.

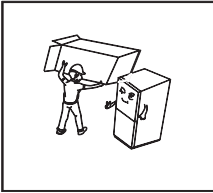


Pelupusan Betul untuk produk ini:

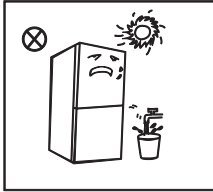
Tanda ini menunjukkan bahawa produk ini tidak boleh dibuang bersama sisa isi rumah yang lain. Untuk mengelakkan kemungkinan bahaya kepada persekitaran atau kesihatan manusia daripada pelupusan sisa tidak terkawal, kitar semula produk secara bertanggungjawab untuk menggalakkan penggunaan semula sumber bahan yang lestari. Untuk memulangkan perkakas terpakai anda, sila gunakan sistem pemulangan dan pengumpulan atau hubungi penjual tempat produk itu dibeli. Mereka boleh mengambil produk ini untuk kitar semula selamat untuk alam sekitar.

2 Penggunaan betul peti sejuk

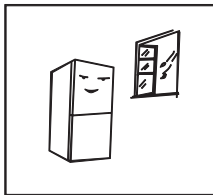
2.1 Peletakan



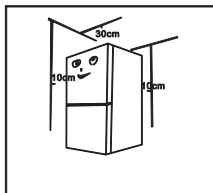
- Sebelum menggunakan, keluarkan semua bahan pembungkus termasuk kusyen bawah dan pad busa dan pita di dalam peti sejuk, koyakkan filem pelindung pada pintu dan badan peti sejuk.



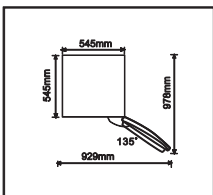
- Jauhkan daripada haba dan elakkan cahaya matahari langsung. Jangan letakkan pembeku di tempat yang lembap atau berair untuk mengelakkan karat atau pengurangan kesan penebat.
- Jangan sembur atau basuh peti sejuk; jangan letakkan peti sejuk di tempat yang lembap mudah terkena air supaya tidak menjejaskan sifat penebat elektrik peti sejuk.



- Peti sejuk diletakkan di tempat tertutup dengan pengudaraan baik; lantai hendaklah rata, dan kukuh (putar ke kiri atau kanan untuk melaraskan roda untuk meratakan jika tidak stabil).



- Peti sejuk ini perlu dipasang secara bebas dan tidak boleh digunakan sebagai terbina dalam. Jika tidak, masalah akan berlaku seperti kegagalan untuk memasang ke dalam kabinet, prestasi dan hayat produk akan berkurangan. Pengilang tidak memberikan waranti produk asas.
- Ruang atas peti sejuk hendaklah lebih besar daripada 30cm, dan peti sejuk perlu diletakkan lebih daripada 10cm dari dinding untuk memudahkan pelepasan haba.

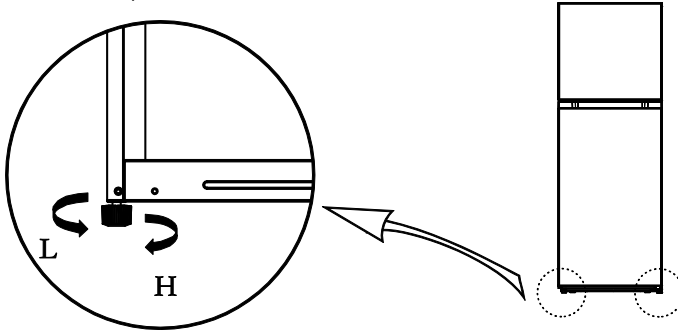


- Tinggalkan ruang yang mencukupi untuk pembukaan pintu dan laci yang mudah atau kenyataan oleh pender.

- ! Langkah berjaga-jaga sebelum pemasangan:
Sebelum pemasangan dan pelarasan aksesori, pastikan peti sejuk diputuskan daripada kuasa. Langkah berjaga-jaga hendaklah diambil untuk mengelakkan kejatuhan pemegang yang boleh menyebabkan kecederaan diri.

2.2 Kaki perata

Gambarajah skematik kaki perata







(Gambar di atas hanya untuk rujukan. Konfigurasi sebenar akan bergantung pada produk fizikal atau kenyataan oleh pengedar)

Prosedur pelarasan:

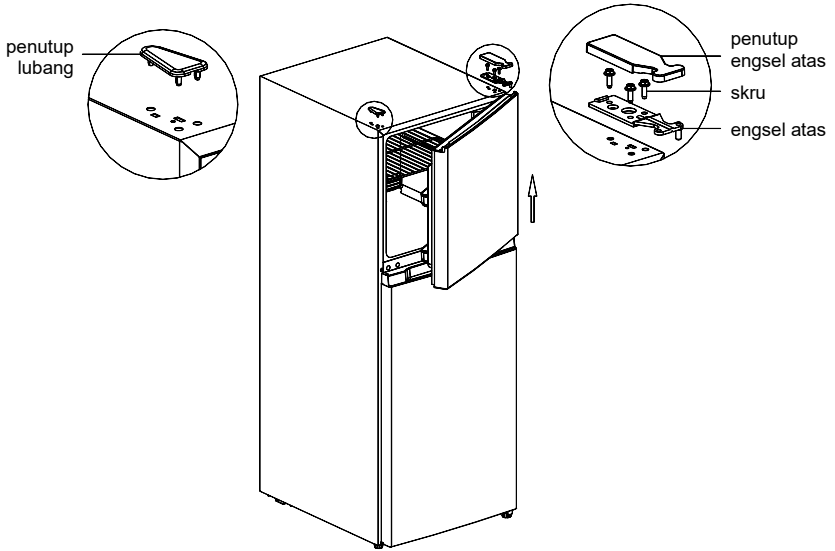
- Pusingkan kaki mengikut arah jam untuk meninggikan peti sejuk;
- Pusingkan kaki melawan arah jam untuk merendahkan peti sejuk;
- Laraskan kaki kanan dan kiri berdasarkan prosedur di atas pada tahap mendatar.

2.3 Tukar pintu kanan-kiri

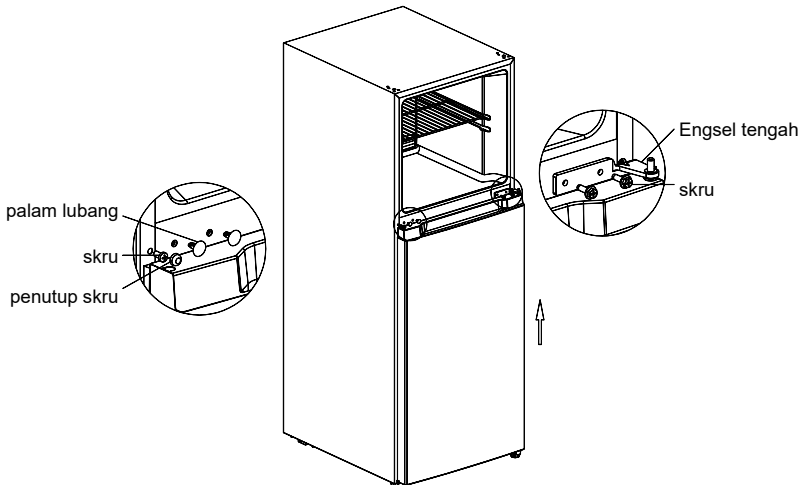
Senarai alatan yang perlu disediakan oleh pengguna			
	Pemutar skru phillip		Pisau dempul pemutar skru bilah nipis
	5/16" soket dan ratchet		Pita pelekat

Bahagian akan digunakan untuk balikan pintu			
SN	bahagian	Kuantiti	Nota
1	Engsel atas kanan	1	Diprasang pada peti sejuk dan untuk digunakan apabila menukar pintu
2	Penutup engsel atas kanan	1	Diprasang pada peti sejuk dan untuk digunakan apabila menukar pintu
3	Lengan gandar engsel atas	1	Diprasang pada peti sejuk dan untuk digunakan apabila menukar pintu
4	Skrus engsel atas	3	Diprasang pada peti sejuk dan untuk digunakan apabila menukar pintu
5	Penutup lubang	1	Diprasang pada peti sejuk dan untuk digunakan apabila menukar pintu
6	Skrus engsel tengah	2	Diprasang pada peti sejuk dan untuk digunakan apabila menukar pintu
7	Engsel tengah	1	Diprasang pada peti sejuk dan untuk digunakan apabila menukar pintu
8	Palam lubang	2	Diprasang pada peti sejuk dan untuk digunakan apabila menukar pintu
9	Skrus rasuk tengah	1	Diprasang pada peti sejuk dan untuk digunakan apabila menukar pintu
10	Penutup skrus rasuk tengah	1	Diprasang pada peti sejuk dan untuk digunakan apabila menukar pintu
11	Kaki boleh laras	1	Diprasang pada peti sejuk dan untuk digunakan apabila menukar pintu
12	Skrus engsel bawah	3	Diprasang pada peti sejuk dan untuk digunakan apabila menukar pintu
13	Pemasangan engsel bawah	1	Diprasang pada peti sejuk dan untuk digunakan apabila menukar pintu
14	Skrus penutup hujung bawah pintu penyejukbekuan	1	Diprasang pada peti sejuk dan untuk digunakan ketika menukar pintu
15	Blok pengehadan penutup hujung bawah pintu penyejukbekuan	1	Diprasang pada peti sejuk dan untuk digunakan ketika menukar pintu
16	Skrus penutup hujung bawah pintu penyejukan	1	Diprasang pada peti sejuk dan untuk digunakan apabila menukar pintu
17	Blok pengehadan penutup hujung bawah pintu penyejukan	1	Diprasang pada peti sejuk dan untuk digunakan apabila menukar pintu
18	Lengan gandar penutup hujung atas pintu penyejukan	1	Diprasang pada peti sejuk dan untuk digunakan apabila menukar pintu

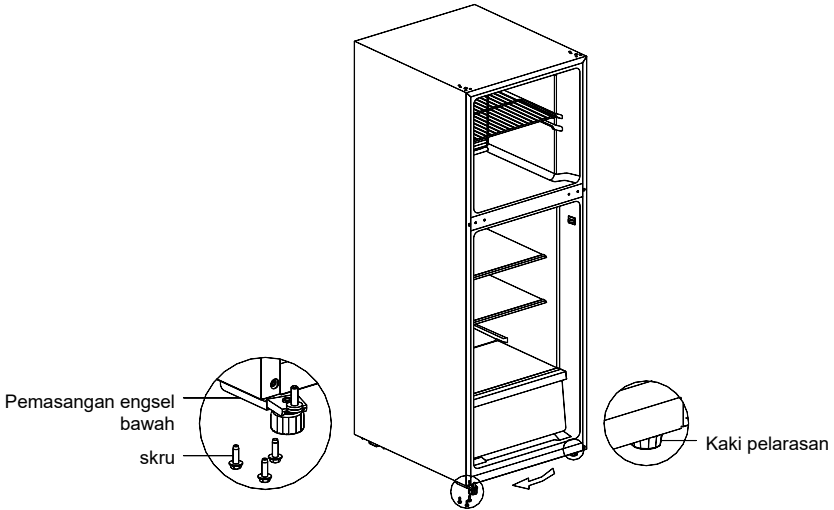
- 1) Sila matikan kuasa perkakas ini sebelum melakukan operasi ini. Keluarkan semua makanan dari rak pintu.
- 2) Tanggalkan penutup lubang, penutup engsel atas, skru pengetat engsel atas, paip engsel atas dan lengan, kemudian angkat pintu penyejuk beku sehingga ia terpisah daripada kabinet sepenuhnya.



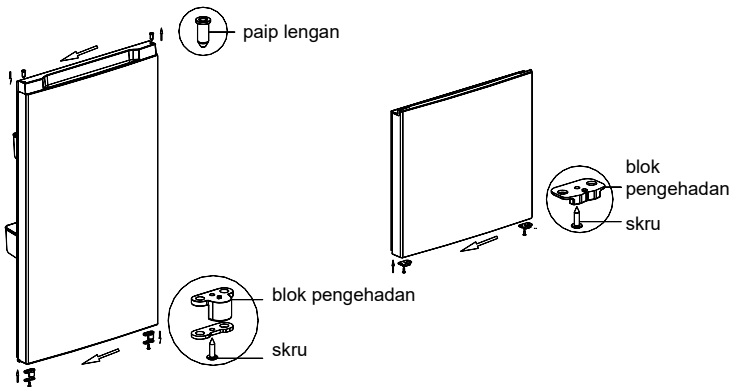
- 3) Longgarkan skru engsel tengah, tanggalkan engsel tengah dan tanggalkan dua palam lubang, skru, penutup skru pada rasuk tengah, kemudian tanggalkan pintu penyejukan.



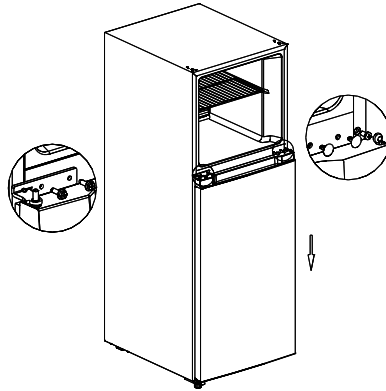
- 4) Tanggalkan kaki pelarasan, skru engsel bawah dan pemasangan engsel bawah, kemudian pemasangan engsel bawah di bahagian lain kotak dan pasang kaki pelarasan pada bahagian bukaan kaki pelarasan.



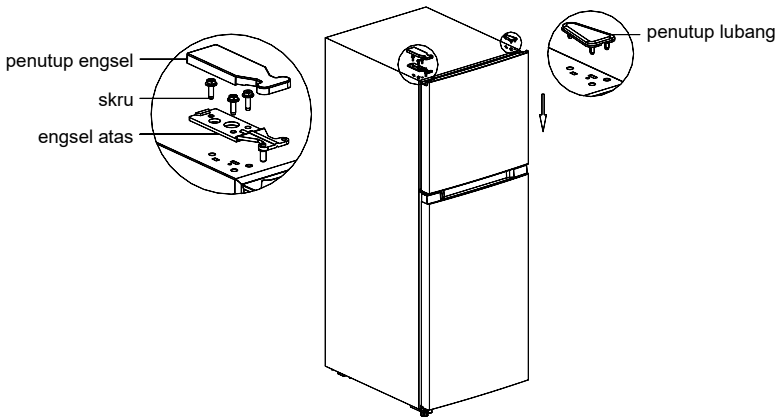
- 5) Leraikan blok pengehadan dan skru pada penutup bawah kedua-dua pintu peti sejuk dan pintu penyejukbekuan, pasang blok pengehadan ini pada bahagian lain kedua-dua pintu ini; kemudian pasang paip lengan pada penutup atas pintu penyejukan pada bahagian lain.



6) Pasang pintu penyejukan pada engsel bawah dan kemudian pasang engsel tengah dan penutup lubang.

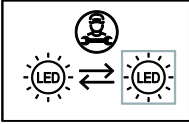


7) Pasang pintu penyejukbekuan pada engsel tengah dan pasang engsel atas, penutup engsel dan penutup lubang.



(Gambar di atas hanya untuk rujukan. Konfigurasi sebenar akan bergantung pada produk fizikal atau kenyataan oleh pengedar)

2.4 Mengubah Lampu

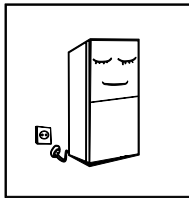


- Sebarang penggantian atau penyelenggaraan lampu LED bertujuan untuk dibuat oleh pengilang, ejen perkhidmatannya atau orang berkelayakan yang serupa.

Sumber cahaya dalam produk ini hanya boleh diganti oleh jurutera bertauliah.

<p>①</p>	<p>1. Sila cabut plag sebelum dialih keluar.</p>	<p>②</p>	<p>2. Tanggalkan tudung lampu dengan pemutar skru.</p>
<p>③</p>	<p>3. Turunkan panel lampu.</p>	<p>④</p>	<p>4. Keluarkan terminal sambungan.</p>

2.5 Bermula



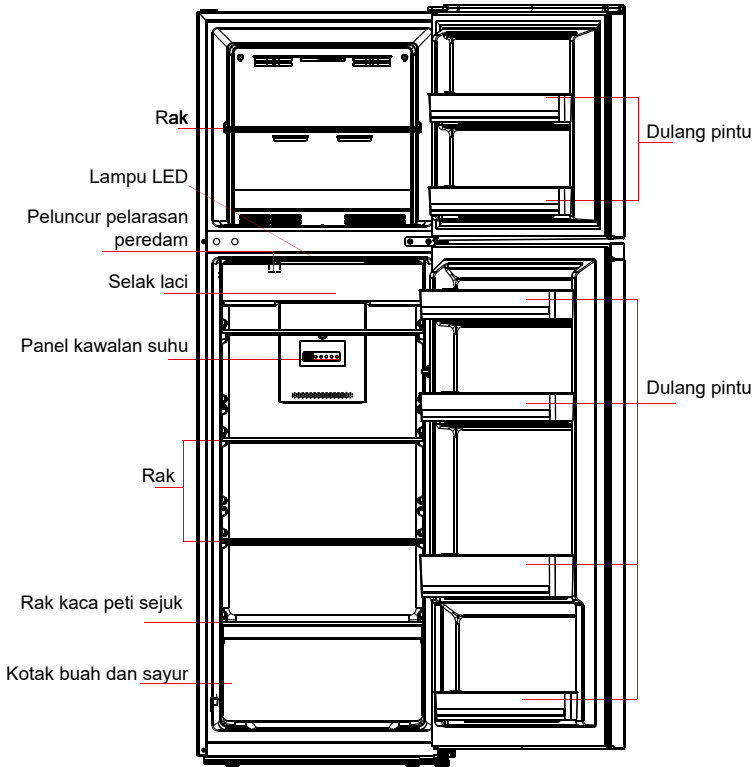
- Selepas pengangkutan, sila biarkan produk kekal selama lebih daripada 2 jam sebelum menghidupkan kuasa, jika tidak, ia akan menyebabkan pengurangan kapasiti penyejukan atau kerosakan pada produk.
- Sebelum meletakkan sebarang makanan segar atau sejuk beku, peti sejuk hendaklah berjalan selama 2-3 jam atau melebihi 4 jam semasa musim panas ketika suhu sekitar tinggi.
- Sila cabut plag sekiranya berlaku kegagalan kuasa atau ketika mahu membersihkan. Jangan sambungkan penyejuk beku kepada bekalan kuasa dalam masa lima minit untuk mengelakkan kerosakan kepada pemampat disebabkan permulaan berturutan.

2.6 Petua penjimatan tenaga

- Perkakas hendaklah terletak di kawasan paling sejuk di dalam bilik, jauh dari peralatan penghasil haba atau saluran pemanas, dan jauh dari cahaya matahari langsung.
- Biarkan makanan panas sejuk pada suhu bilik sebelum dimasukkan ke dalam perkakas. Membebankan perkakas memaksa pemampat untuk beroperasi lebih lama. Makanan yang menyejuk beku terlalu perlahan mungkin kehilangan kualiti dan rosak.
- Pastikan untuk membalut makanan dengan betul dan lap bekas hingga kering sebelum meletakkannya di dalam perkakas. Ini mengurangkan pembentukan fros di dalam perkakas.
- Tong penyimpanan perkakas tidak boleh dialas dengan kerajang aluminium, kertas lilin atau tuala kertas. Pelapik mengganggu peredaran udara sejuk, menjadikan perkakas kurang cekap.
- Susun dan labelkan makanan untuk mengurangkan bukaan pintu dan carian yang lama. Keluarkan seberapa banyak item yang diperlukan pada satu masa, dan tutup pintu secepat mungkin.

3 Struktur dan fungsi

3.1 Komponen utama



(Gambar di atas hanya untuk rujukan. Konfigurasi sebenar akan bergantung pada produk fizikal atau kenyataan oleh pegerar)

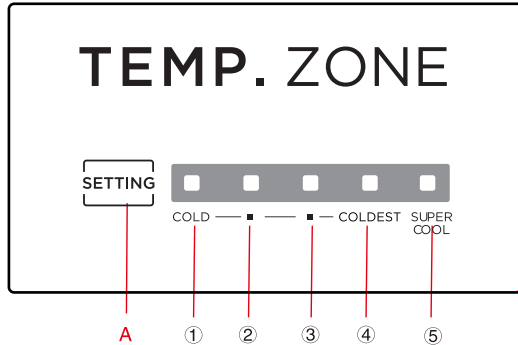
Ruang penyejukan

- Ruang Penyejukan sesuai untuk menyimpan pelbagai jenis buah, sayur, minuman dan makanan lain yang diambil dalam jangka pendek.
- Makanan dimasak tidak boleh dimasukkan ke dalam ruang penyejukan sehingga ia disejukan ke suhu bilik.
- Makanan disyorkan untuk ditutup sebelum dimasukkan ke dalam peti sejuk.
- Rak kaca boleh dilaraskan ke atas dan ke bawah untuk aaman ruang penyimpanan yang munasabah dan penggunaan mudah.

Ruang pembekuan

- Ruang penyejukbekuan suhu rendah boleh memastikan makanan segar untuk masa yang lama dan ruang ini digunakan terutamanya untuk menyimpan makanan sejuk beku dan membuat ais.
- Ruang pembekuan sesuai untuk penyimpanan daging, ikan, bebola nasi dan makanan lain yang tidak boleh dimakan dalam jangka pendek.
- Ketulan daging sebaiknya dibahagikan kepada kepingan kecil untuk pembekuan cepat dan akses mudah. Sila ambil perhatian bahawa makanan hendaklah dimakan dalam masa penyimpanan.

3.2 Fungsi



Nota:

(Gambar di atas hanya untuk rujukan. Konfigurasi sebenar akan bergantung pada produk fizikal atau kenyataan oleh pengedar)

1) Butang tetapan

A: Butang tetapan

2) Skrin paparan

LED: ① gear (SEJUK)

LED: ② gear

LED: ③ gear

LED: ④ gear (PALING SEJUK)

LED: ⑤ gear (SUPER SEJUK)

3) Paparan

Apabila peti sejuk dihidupkan kuasa, semua LED pada skrin paparan menyala selama 3 saat, suhu lalai ialah TENGAH (③ gear).

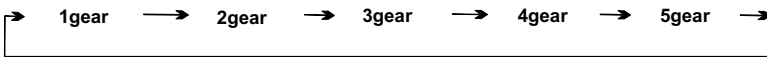
Apabila berlaku kegagalan, lampu LED menunjukkan kod kegagalan (paparan gelung), paparan lampu LED seperti jadual yang berikut:

Kod ralat	Perihal ralat
LED ①, ② berkelip	Kegagalan sensor suhu ruang penyejukan
LED ①, ③ berkelip	Kegagalan sensor suhu nyahbeku ruang penyejukbekuan
LED ①, ④ berkelip	Kegagalan sensor suhu sekitar

4) Tetapan gear

Setiap kali anda menekan butang tetapan, gear berubah sekali, selepas menetapkan gear15s, peti sejuk akan berjalan mengikut nilai tetapan.

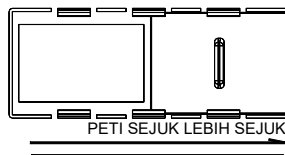
Pelarasan gear kepada:



5) Fungsi Memori

Peti sejuk untuk menyimpan memori status jalanan yang berikut apabila kuasa dimatikan.

6) Peluncur pelarasan peredam



Kedudukan awal peluncur pelarasan peredam adalah pada bahagian paling kanan.

Untuk pengalaman pengguna yang lebih baik, disyorkan agar menolak peluncur ke kedudukan kanan putarkan KUNCI TETAPAN ke kedudukan TENGAH. Jika bahagian dalam ruang peti sejuk tidak cukup sejuk, sila periksa sama ada peluncur berada di kedudukan kiri, putarkan peluncur ke bahagian kanan.

Nota: Fungsi penyejukbekuan pantas direka bentuk untuk mengekalkan nilai pemakanan makanan di dalam penyejuk beku. Ia boleh membekukan makanan dalam masa yang singkat. Jika sejumlah besar makanan dibekukan pada satu-satu masa, adalah disyorkan agar pengguna menghidupkan fungsi pembekuan cepat dan memasukkan makanan. Pada masa ini, kelajuan pembekuan petak pembeku ditingkatkan, yang boleh membekukan dengan cepat makanan, mengekalkan zat makanan dengan berkesan, dan memudahkan penyimpanan.

4 Penyelenggaraan dan penjagaan peti sejuk

4.1 Pembersihan keseluruhan

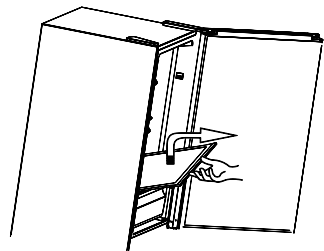
- Habuk di belakang peti sejuk dan di atas lantai hendaklah dibersihkan mengikut masanya untuk meningkatkan kesan penyejukan dan penjimatan tenaga.
- Periksa gasket pintu dengan kerap untuk memastikan tiada serpihan. Bersihkan gasket pintu dengan kain lembut yang dilembapkan dengan air sabun atau detergen cair.
- Bahagian dalam peti sejuk perlu dibersihkan dengan kerap untuk mengelakkan bau.
- Sila matikan kuasa sebelum membersihkan bahagian dalam, keluarkan semua makanan, minuman, rak, laci, dsb.
- Gunakan kain lembut atau span untuk membersihkan bahagian dalam peti sejuk, dengan dua sudu besar soda penaik dan satu liter air suam. Kemudian bilas dengan air dan lap hingga bersih. Selepas membersihkan, buka pintu dan biarkan ia kering secara alami sebelum menghidupkan kuasa.
- Untuk kawasan yang sukar dibersihkan di dalam peti sejuk (seperti ruang sempit, celah atau sudut), disyorkan untuk mengelapnya dengan kerap dengan kain lembut, berus lembut, dsb. dan apabila perlu, digabungkan dengan beberapa alat tambahan (seperti kayu nipis) untuk memastikan tiada bahan cemar atau pengumpulan bakteria di kawasan ini.
- Jangan gunakan sabun, detergen, serbuk gosok, pembersih semburan, dsb., kerana ini boleh menyebabkan bau di bahagian dalam peti sejuk atau makanan tercemar.
- Bersihkan bingkai botol, rak dan laci dengan kain lembut yang dilembapkan dengan air sabun atau detergen cair. Keringkan dengan kain lembut atau keringkan secara alami.
- Lap permukaan luar peti sejuk dengan kain lembut yang dilembapkan dengan air sabun, detergen, dsb., dan kemudian lap kering.
- Jangan gunakan berus keras, bebola keluli pembersih, berus dawai, bahan pelelas (seperti ubat gigi), pelarut organik (seperti alkohol, aseton, minyak pisang, dll.), air mendidih, bahan asid atau alkali, yang boleh merosakkan permukaan dan dalaman peti sejuk. Air mendidih dan pelarut organik seperti benzena boleh merubah bentuk atau merosakkan bahagian plastik.
- Jangan bilas terus dengan air atau cecair lain semasa pembersihan untuk mengelakkan litar pintas atau menjejaskan penebat elektrik selepas rendaman.



⚠ Sila cabut plag peti sejuk untuk nyahfros dan pembersihan.

4.2 Pembersihan rak kaca

- Angkat bahagian depan rak kaca dan kemudian tarik keluar;
- Tanggalkan rak kaca dan bersihkan seperti yang diperlukan;
- Operasi terbalik adalah untuk pemasangan rak kaca.



4.3 Penyahfrosan

- Peti sejuk dibuat berdasarkan prinsip penyejukan udara dan oleh itu mempunyai fungsi penyahfrosan automatik. Fros yang terbentuk akibat perubahan musim atau suhu juga boleh dikeluarkan secara manual dengan memutuskan sambungan perkakas daripada bekalan kuasa atau dengan mengelap dengan tuala kering.

4.4 Tidak beroperasi

- Kegagalan kuasa: Sekiranya berlaku kegagalan kuasa, walaupun pada musim panas, makanan di dalam perkakas boleh disimpan selama beberapa jam; semasa kegagalan kuasa, masa pembukaan pintu hendaklah dikurangkan, dan jangan masukkan lagi makanan segar ke dalam perkakas.
- Tidak digunakan untuk masa yang lama: Perkakas hendaklah dicabut plag dan kemudian dibersihkan; kemudian pintu dibiarkan terbuka untuk mengelakkan bau.
- Pemindahan: Sebelum peti sejuk dipindahkan, keluarkan semua objek di dalamnya, lekatkan petak kaca, pemegang sayur, laci ruang penyejukbekuan dan dsb. dengan pita dan ketatkan kaki perata; tutup pintu dan lekatkannya dengan pita. Semasa memindahkan, perkakas tidak boleh diletakkan terbalik atau mendatar, atau digetarkan; kecondongan semasa pemindahan hendaklah tidak lebih daripada 45°.

Perkakas hendaklah beroperasi secara berterusan sebaik sahaja ia dimulakan. Pada umumnya, operasi perkakas tidak boleh diganggu, jika tidak hayat perkhidmatannya mungkin terjejas.

5 Penyelesaian masalah

Anda boleh cuba menyelesaikan masalah mudah itu dengan sendiri. Jika ia tidak dapat diselesaikan, sila hubungi jabatan selepas jualan.

Operasi gagal	<p>Periksa sama ada perkakas disambungkan kepada kuasa atau plag dipasang dengan baik.</p> <p>Periksa sama ada voltan terlalu rendah.</p> <p>Periksa sama ada terdapat kegagalan kuasa atau litar pintas separa.</p>
Bau	<p>Makanan berbau hendaklah dibalut dengan ketat.</p> <p>Periksa sama ada terdapat sebarang makanan yang busuk.</p> <p>Bersihkan bahagian dalam peti sejuk.</p>
Operasi pemampat untuk masa yang lama	<p>Operasi lama peti sejuk adalah perkara biasa pada musim panas apabila suhu ambien tinggi.</p> <p>Meletakkan terlalu banyak makanan di dalam perkakas pada masa yang sama adalah tidak disyorkan.</p> <p>Makanan hendaklah menjadi sejuk sebelum dimasukkan ke dalam perkakas.</p> <p>Pintu dibuka terlalu kerap.</p>
Lampu gagal bercahaya	<p>Periksa sama ada peti sejuk disambungkan kepada bekalan kuasa dan sama ada lampu pencahayaan rosak.</p>
Pintu tidak boleh ditutup dengan betul	<p>Pintu tersekat oleh bungkusan makanan.</p> <p>Peti sejuk senget.</p>
Bunyi kuat	<p>Periksa sama ada lantai rata dan sama ada peti sejuk diletakkan dengan stabil.</p> <p>Periksa sama ada aksesori diletakkan di lokasi yang betul.</p>
Kedap pintu gagal menjadi rapat	<p>Buang benda asing pada kedap pintu.</p> <p>Panaskan pengedap pintu dan kemudian sejujkannya untuk pemulihan (atau hembus pengedap pintu dengan pengering elektrik atau gunakan tuala panas untuk pemanasan).</p>
Dulang air melimpah	<p>Terlalu banyak makanan di dalam ruang atau makanan yang disimpan mengandungi terlalu banyak air, menyebabkan penyahfrosan yang banyak.</p> <p>Pintu tidak ditutup dengan betul, mengakibatkan pemfrosan akibat kemasukan udara dan peningkatan air akibat penyahfrosan.</p>
Kabinet panas	<p>Pelepasan haba pemeluwap terbina dalam melalui perumah, yang merupakan perkara biasa.</p> <p>Apabila perumah menjadi panas akibat suhu persekitaran yang tinggi, penyimpanan terlalu banyak makanan, adalah disarankan menyediakan pengudaraan yang baik untuk memudahkan pelepasan haba.</p>
Pemeluwapan permukaan	<p>Pemeluwapan pada permukaan luar dan kedap pintu peti sejuk adalah normal apabila kelembapan ambien terlalu tinggi. Hanya lap lembapan dengan tuala bersih.</p>
Hingar tidak normal	<p>Bunyi buz: Pemampat mungkin mengeluarkan bunyi semasa operasi, dan bunyi itu kuat terutamanya semasa mula atau berhenti. Ini adalah normal.</p> <p>Bunyi derit: Bahan penyejuk yang mengalir di dalam perkakas mungkin menghasilkan bunyi berderit, yang merupakan perkara biasa.</p>