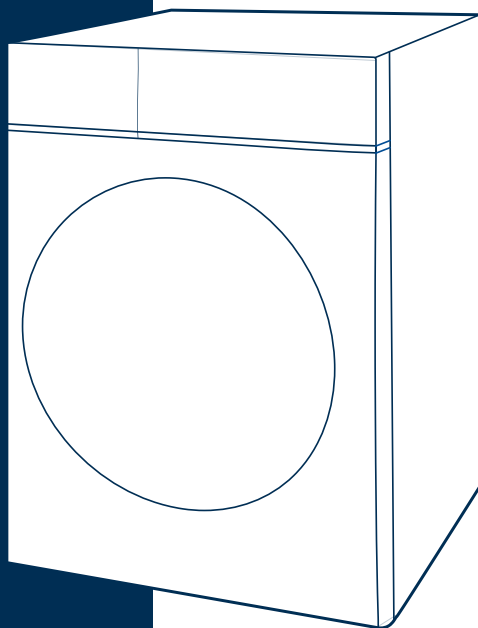


**WASHER DRYER**

**Front Loading**

## **USER MANUAL**



### **Read This Manual**

Read all instructions and explanations for the installation before use. Follow the instructions carefully. Keep the operation instructions handy for later use. If the appliance is sold or passed on, ensure that the new owner always receives this operation instructions.

**MODEL: MF210D95WB  
MF210D105WB**

# CONTENTS

<b>SAFETY INSTRUCTIONS</b>	02
<b>SPECIFICATIONS</b>	06
<b>PRODUCT OVERVIEW</b>	07
<b>QUICK START GUIDE</b>	08
<b>PRODUCT INSTALLATION</b>	11
<b>OPERATION INSTRUCTIONS</b>	15
<b>APP SETUP AND OPERATION</b>	25
<b>CLEANING AND MAINTENANCE</b>	27
<b>TROUBLE SHOOTING</b>	31
<b>DISPOSAL AND RECYCLING</b>	32



**CAUTION: HOT SURFACE !**



**CAUTION: RISK OF FIRE !**



Read all instructions and explanations before use. Follow the instructions carefully. Keep the operation instructions handy for later use. If the appliance is sold or passed on then ensure that the new owner always receives these operation instructions.

# SAFETY INSTRUCTIONS

## Intended Use

The product is intended only for home use and for textiles in household amounts suitable for washing. This appliance is for indoor use only and not intended for built in use. Only use according to these instructions. The appliance is not intended for commercial use.

Any other use is considered as improper use. The producer is not responsible for any damage or injury that may result from it.

This appliance is intended to be used in household and similar applications such as:

- Staff kitchen areas in shops, offices and other working environments;
- Farm houses;
- By clients in hotels, motels and other residential type environments;
- Bed and breakfast type environments;
- Areas for communal use in blocks of flats or in laundrettes.

## Explanation of Symbols



### DANGER

This symbol indicates that there are dangers to the life and health of persons due to extremely flammable gas.



### WARNING OF ELECTRICAL VOLTAGE

This symbol indicates that there is a danger to life and health of persons due to voltage.



### WARNING

The signal word indicates a hazard with a medium level of risk which, if not avoided, may result in death or serious injury.



### CAUTION

The signal word indicates a hazard with a low degree of risk which, if not avoided, may result in minor or moderate injury.



### NOTE

The signal word indicates important information (e.g. damage to property), but not danger.



### OBSERVE INSTRUCTIONS

This symbol indicates that a service technician should only operate and maintain this appliance in accordance with the operating instructions.

Please read the following safety information thoroughly and follow it strictly to minimize the risk of fire or explosion, electric shock and to prevent property damage, personal injury or loss of life. Failing to follow these instructions shall void any warranty.

This appliance is not intended for use by persons (including children) with reduced physical, sensory or mental capabilities, or lack of experience and knowledge, unless they have been given supervision or instruction concerning use of the appliance by a person responsible for their safety.

## **WARNING: Electric Shock Hazard**

- If the supply cord is damaged, it must be replaced by the manufacturer, its service agent or similarly qualified persons in order to avoid a hazard.
- If the machine is damaged, it must not be operated unless repaired by the manufacturer, its service agent or similarly qualified persons.
- Risk of electric shock!
- The appliance can be used by children aged from 8 years and above and persons with reduced physical, sensory or mental capabilities or lack of experience and knowledge if they have been given supervision or instruction concerning use of the appliance in a safe way and understand the hazards involved. Children shall not play with the appliance. Cleaning and user maintenance shall not be made by children without supervision.
- Children should be supervised that they do not play with the appliance.
- Children 3 years and under shall be kept away from the appliance or continuously supervised.
- Animals and children may climb into the machine. Check the machine before every operation.
- Do not climb or sit on the appliance.

## **Installation Location and Surrounding**

- All washing and additional substances are to be kept in a safe place out of the reach of children.
- Do not install the machine on a carpet floor.
- The obstruction of the openings by a carpet can damage the machine.
- Keep the appliance clear from heating sources and direct sunlight to avoid plastic and rubber parts to corrode.
- Do not use the appliance in humid environments or rooms containing explosive or caustic gas. In case of water leakage or water splashes, let the appliance dry in the open air.
- The appliance must not be installed behind a lockable door, a sliding door or a door with a hinge on the opposite side to that of the machine .
- Do not operate the machine in rooms with a temperature of below 5°C. This can cause damages to parts of it. If it is unavoidable, make sure to drain the water completely from the appliance after every use (see“Maintenance - Cleaning of drain pump filter”) to avoid damages caused by frost.
- Never use flammable sprays or substances in the immediate proximity of the appliance.
- That lint must not be allowed to accumulate around the washer dryer (not applicable for appliances intended to be vented to the exterior of the building).

## **Installation**

- Remove all packaging material and transport bolts before using the appliance. Otherwise, serious damage may result.
- This appliance is equipped with a single inlet valve and can be connected to the cold water supply only.
- Mains plug must be accessible after installation.
- Before washing clothes for the first time, the product shall be operated once throughout all the procedures without any clothes inside.
- Before using the machine, the product shall be calibrated.
- Do not put any excessively heavy objects on the appliance, like water containers or heating devices.

- The new hose-sets supplied with the appliance are to be used and that old hose-sets should not be reused.
- Max. Inlet water pressure 1 MPa. Min. inlet water pressure 0.05 MPa.

## Electrical Connection

- Make sure the supply cable is not trapped by the machine, or it can get damaged.
- Connect the product to a grounded outlet protected by a fuse complying with the values in the "Technical specifications" table. The grounding installation has to be made by a qualified electrician. Ensure that the machine is installed in accordance with the local regulations.
- Water and electrical connections must be carried out by a qualified technician in accordance with the manufacturer's instructions and local safety regulations.



### WARNING:

- Don't use multiple plugs or extension cords.
- The appliance must not have an external switching device such as a timer or connected to a circuit that is regularly switched on and off.
- Do not pull the plug out of the mains outlet if there is flammable gas around.
- Never pull out power plug with wet hands.
- Always pull at the plug, not at the cable.
- Always unplug the appliance if it is not being used.

## Water Connections

- Check the connections of the water inlet tubes, the water tap and the outlet hose for possible problems due to changes of water pressure. If the connections loosen or leak, close the water tap and get it repaired.
- Do not use the appliance before the pipes and hoses are installed properly by qualified persons.
- Glass door may become very hot during the operation. Keep children and pets far away from the machine while it is operating.
- The water inlet and outlet hoses have to be safely installed and remain undamaged.
- Otherwise, water leakage can occur.
- Do not remove the drain pump filter while there is still water in the appliance. Big quantities of water can leak out, and there is a risk of scalding due to hot water.

## Operation and Maintenance



### WARNING:

- Never stop the machine before the end of the drying cycle unless all items are quickly removed and spread out so that the heat can dissipate.
- The machine is not to be used if industrial chemicals have been used for cleaning. Risk of explosion.

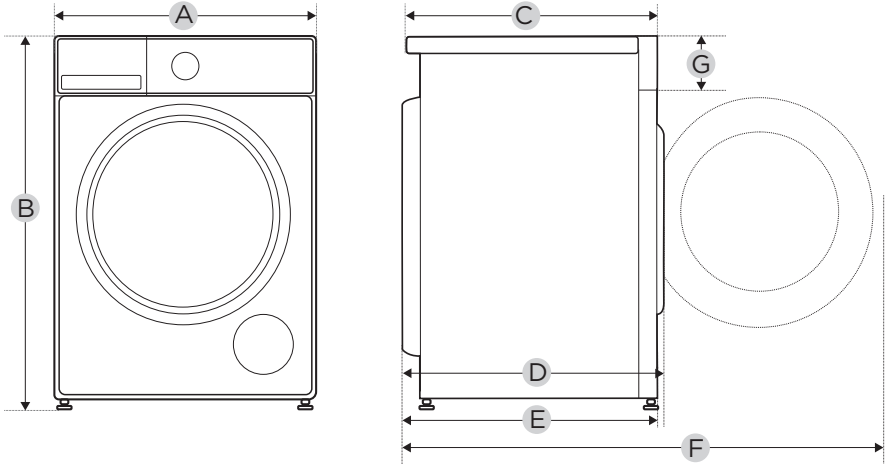
- Never use any flammable, explosive or toxic solvents. Do not use gasoline and alcohol etc. as detergents. Only select detergents that are suitable for machine washing.
- Make sure that all pockets are emptied. Sharp and rigid items such as coins, brooches, nails, screws, stones etc. may cause serious damages to this machine.
- Remove all objects from pockets such as lighters and matches before use the appliance.
- Thoroughly rinse items that have been washed by hand.
- Do not dry unwashed items in the appliance.
- Items that have been soiled with substances such as cooking oil, acetone, alcohol, petrol, kerosene, spot removers, turpentine, wax and wax removers should be washed in hot with an extra amount of detergent before being dried in the appliance.
- Items containing foam rubber (latex foam), shower caps, water proof textiles, rubber backed articles and clothes or pillows fitted with foam rubber pads should not be dried in the machine.
- Fabric softeners or similar products should be used as recommended in their instructions.
- Never try to open the door forcefully.
- The door will unlock shortly after the end of a cycle.
- Please do not close the door with excessive force. If it is found difficult to close the door, please check if the clothes are properly inserted and distributed.
- Always unplug the appliance and close the water tap before cleaning and maintenance and after each use.
- Never pour water over the appliance for cleaning purpose. Risk of electric shock!
- Repairs shall only be carried out by the manufacturer, its service agent or similarly qualified persons in order to avoid a hazard.
- The producer will not be responsible for damages caused by the intervention of not authorized persons.

## Transport

- Before Transport:
  - Bolts shall be reinstalled to the machine by a specialized person;
  - Accumulated water shall be drained out of the machine.
- This appliance is heavy. Transport with care. Never hold any protruding part of the machine when lifting. The machine door can not be used as a handle.

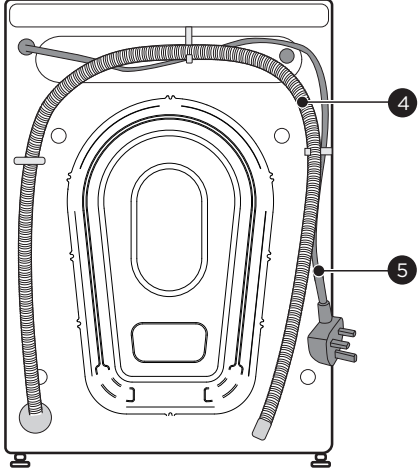
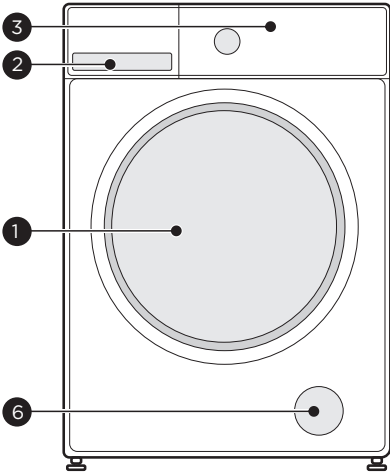
Model	Washing/Drying Capacity
MF210D95WB	9.5/7.0kg
MF210D105WB	10.5/7.0kg

# SPECIFICATIONS



Model	MF210D95WB	MF210D105WB
Power Supply	220-240V~, 50Hz	
MAX.Current	10A	
Standard Water Pressure	0.05MPa-1MPa	
Washing Capacity	9.5kg	10.5kg
Drying Capacity	7.0kg	7.0kg
Dimension		
A	590mm	
B	845mm	
C	535mm	
Weight	66kg	
Rated Power	1950W	
Drying Power	1300W	
Reference Dimension		
D	550mm	
E	530mm	
F	1035mm	
G	120mm	

# PRODUCT OVERVIEW



1	Door
2	Detergent dispenser
3	Control panel

4	Drain hose
5	Power supply cord
6	Service flap

**NOTE**

The product picture is for illustration only, please refer to real product as reference.

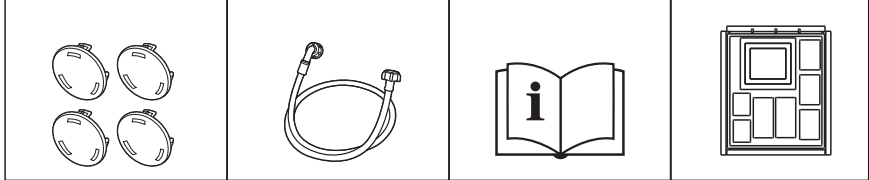
## Accessories

4 x Cover caps

1 x Supply hose cold water

1 x Owner's manual

Acoustic panel (optional)





# QUICK START GUIDE




## CAUTION

- Before washing, please make sure the machine is installed properly.
- Your appliance was thoroughly checked before it left the factory. To remove any residual water and to neutralize potential odors, it's recommended to clean your appliance before first use. For this reason, recommended to clean the inner drum by running the "DRUM CLEAN" or other program with the optional temperature of 90°C. Be careful not to put laundry and detergent in the machine.



## Calibration

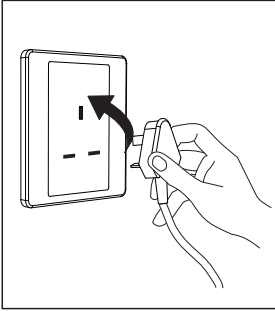
It's recommended to calibrate the machine, so that provide the best performance. The appliance is able to detect the amount of laundry loaded. This function is optimizing the product performance by minimizing energy and water consumption, saving you money and time. For this reason it's recommended to calibrate the appliance for best use.

- 1- Remove all accessories from the drum and close the door;
- 2- Insert the mains plug to the socket;
- 3- Switch on the washing machine, and within 10 seconds, press "Turbo" and "Rinse+" simultaneously (normally 3 seconds) until "t19" is displayed.
- 4- Press  to start the appliance, initially "---" is displayed, and then "\*\*\*\*" (such as "126") is displayed to indicate the real time drum speed.

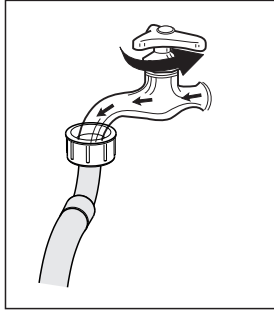
If the machine is successfully calibrated, "PAS" will be displayed, otherwise, "FAL" will be displayed.

## 1. Before Washing

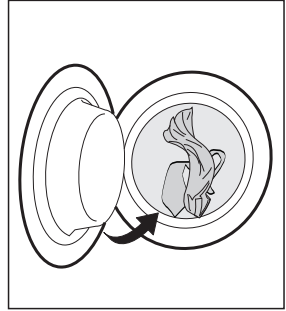
1. Plug in



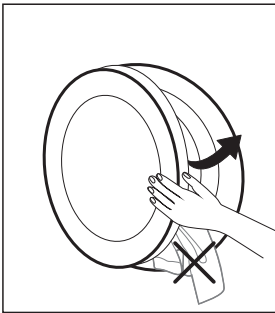
2. Open tap



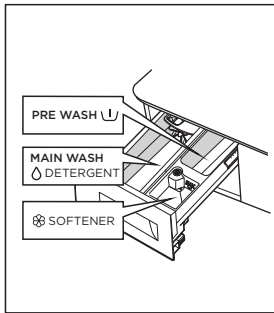
3. Load



4. Close door



5. Add detergent

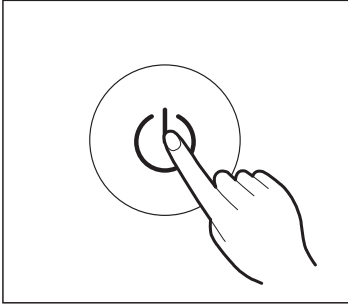


### NOTE

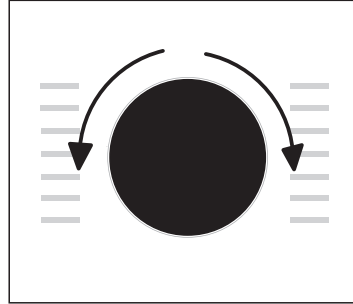
- Detergent need to be added in compartment PRE WASH if the Pre Wash function is selected.
- When closing the door, please make sure that your clothes are not caught between the sealing ring and the machine door to prevent water leakage caused by pulling and damaging the sealing ring during operation.

## 2. Washing

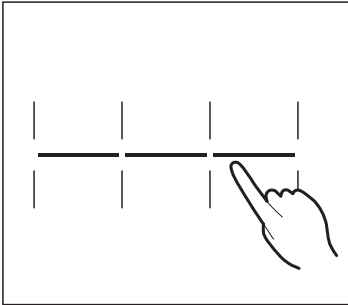
1. Power on



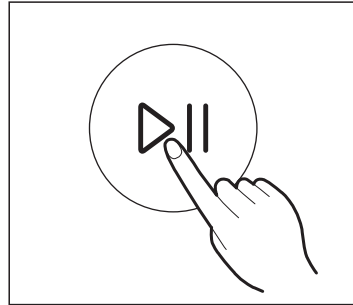
2. Select programme



3. Select function or remain default settings



4. Press Start/Pause to start the program



### NOTE

1: If default is selected, step 3 can be skipped.

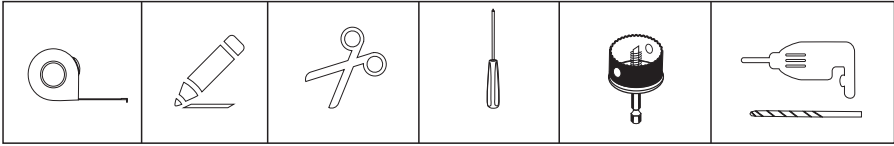
2: The function button line chart is for reference only, please refer to real product as standard.

## 3. After Washing

Buzzer beep and "End" on display.

# PRODUCT INSTALLATION

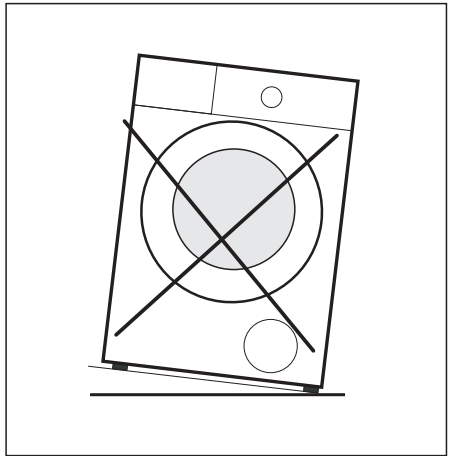
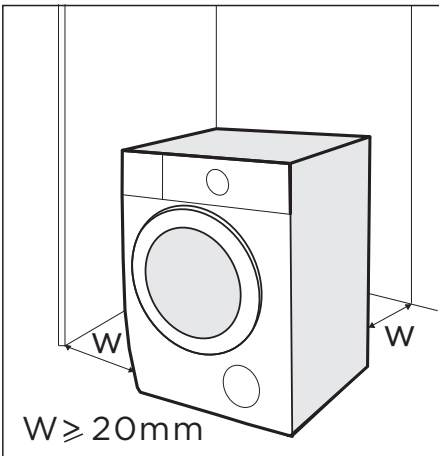
## Tools Needed If Installation By Yourself (not include)



## Installation Area

### WARNING

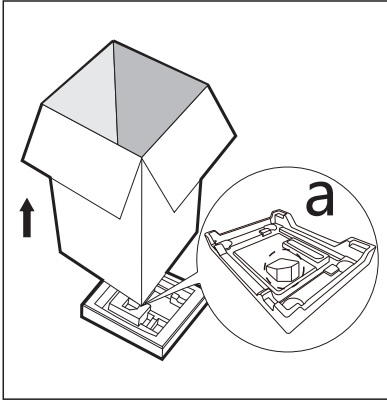
- Stability is important to prevent the product from wandering!
- Make sure the machine is standing leveled and stable.
- Make sure that the product does not stand onto the power cord.
- Make sure to maintain the minimum distances from the walls as shown in the picture.



Before installing the machine, the location characterized as follows shall be selected:

1. Rigid, dry, and level surface.
2. Avoid direct sunlight.
3. Sufficient ventilation.
4. Room temperature is above 5 °C .
5. Keep far away from the heat sources such as coal or gas burning appliances.

## Unpacking the Machine



### **⚠ WARNING**

- Packaging material (e.g. Films, Styrofoam) can be dangerous for children.
- There is a risk of suffocation ! Keep all packaging well away from children.

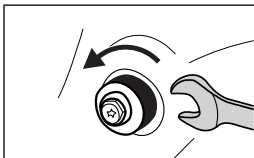
1. Remove the cardboard box and styrofoam packing.
2. Lift the machine and remove the base packaging. Make sure the small triangle foam (a) is removed with the bottom packaging together. If not, lay the unit down on the side surface and remove it manually.
3. Remove the tape securing the power supply cord and drain hose.
4. Remove the inlet hose from the drum.

## Remove Transport Bolts

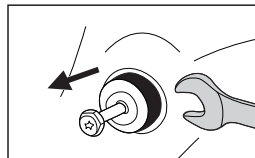
### **⚠ WARNING**

You must remove the transport bolts from the backside before using the product.

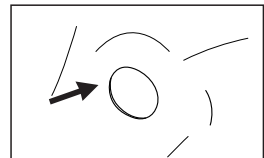
1. Loosen the 4 transport bolts with a spanner.



2. Remove the bolts including the rubber parts and keep them for future use.



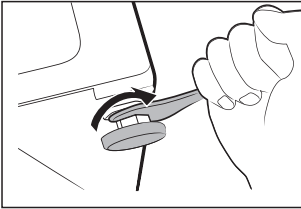
3. Close the holes using the cover caps.



## Levelling the Machine

### WARNING

The lock nuts on all four feet must be screwed tightly against the housing.



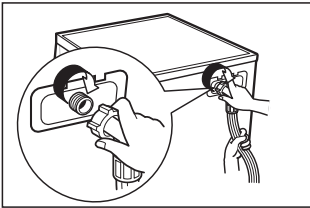
1. Loosen the lock nut.
2. Turn the foot until it reaches the floor.
3. Adjust the legs and lock the nuts with a spanner.  
Make sure the machine is level using a spirit level.

## Connect the Water Supply Hose

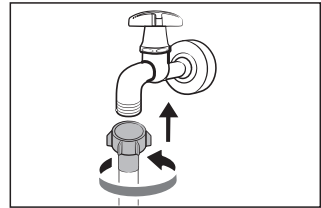
### WARNING

To prevent leakage or water damage, follow the instructions in this chapter.

- Do not kink, crush or modify water inlet hose.



Connect the water supply hose to the water inlet valve and a water tap with cold water as indicated.



### NOTE

- Connect manually, do not use tools. Check if the connections are tight.

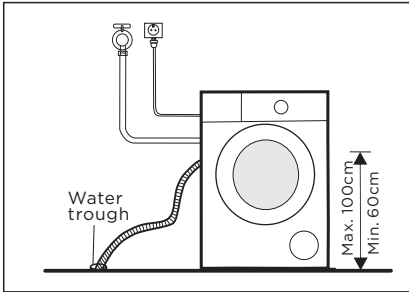
## Drain Hose

### WARNING

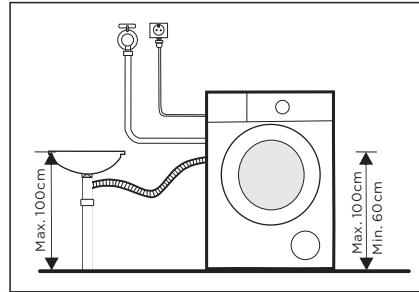
- Do not kink or protract the drain hose.
- Position drain hose properly ,otherwise damage might result in water leakage.
- It is not allowed to remove the buckle of drain pipe.

There are two ways to place the end of drain hose:

1. Put it into the water trough.



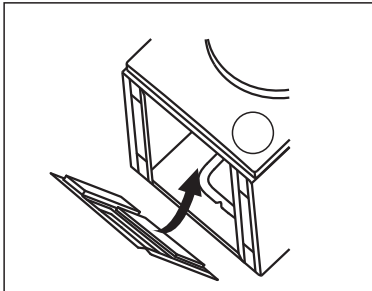
2. Connect it to the branch drain pipe of the trough.



## Acoustic Panel

### NOTE

- Please make sure to assemble the acoustic panel, which can effectively reduce the noise caused by the machine while working, in order to provide you with a more peaceful and quiet living environment.



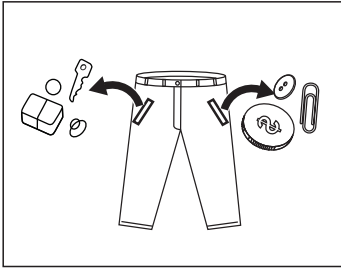
1. Get the machine laid on the floor, using some soft material like foam or clothes between the machine and floor for a protection;
2. Stick the acoustic panel to the bottom of machine.

# OPERATION INSTRUCTIONS

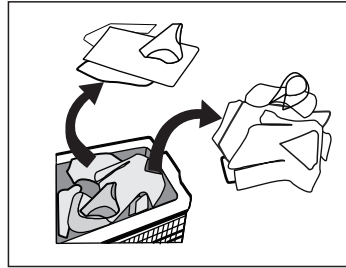
## Before Each Washing

- The ambient temperature of the machine should be 5°C-40°C. If used under 0°C, the inlet valve and draining system may be damaged. If the machine is installed under freezing conditions, it should be transferred to normal ambient temperature to ensure the water supply hose and drain hose can unfreeze before use.
- Please check your laundry care labels and the detergent use instructions before wash. Use non-foaming or less-foaming detergent suitable for machine properly.

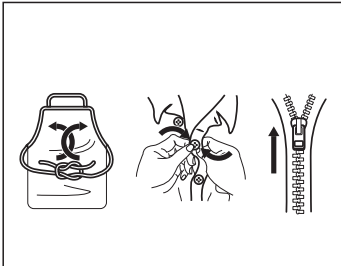
1. Take all items out of the pockets



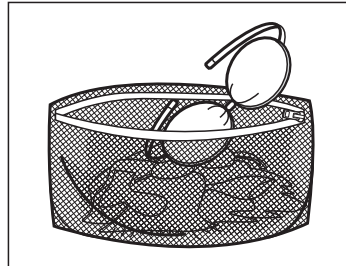
2. Sort laundry according to color and textile type



3. Tie together long textile strips and belts, close zips and button



4. Put small items into a laundry bag

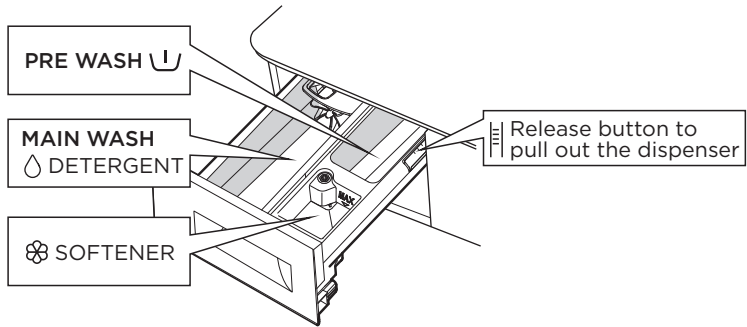


## WARNING

- It is prohibited to wash or dry clothes that adhere to any volatile or flammable substance such as cleaning agent, dry cleaning agent, spot remover, acetone, gasoline, kerosene, beauty oil, massage oil, animal oil, machinery oil, dry cleaning oil, volatile agent, alcohol, turpentine, wax, wax remover, banana water, disinfectant tablets, resin, etc.
- Washing single clothes items may easily create big eccentricity. Therefore it is suggested to add one or two more laundry items to the wash so that spin can be done smoothly.
- Do not wash, spin or dry water-proof seats, mats, or clothing.



## Detergent Dispenser



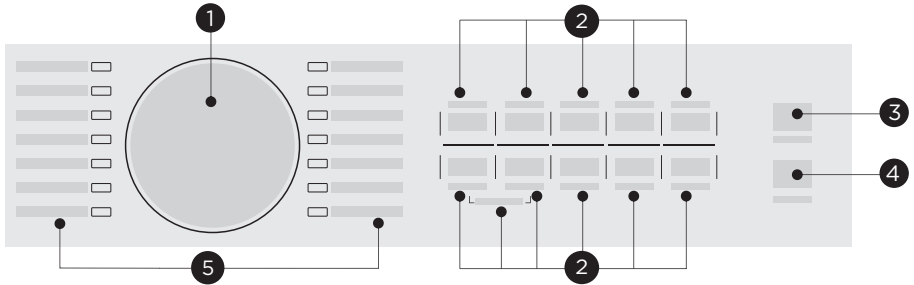
### ⚠ CAUTION

- Detergent only need to be added in “case PRE WASH” after selecting Pre Wash for machines with this function.
- Do not put laundry beads into the detergent dispenser.

Programme	U	Water Drop	Flower	Programme	U	Water Drop	Flower
COTTON	○	●	○	COTTON ECO		●	○
MIX	○	●	○	WOOL		●	○
WASH & DRY		●	○	OUTDOOR	○	●	○
DRY ONLY				QUICK 45'/1H WD	○	●	○
HealthGuard	○	●	○	SPORTS	○	●	○
DRUM CLEAN				BABY CARE	○	●	○
DOWNLOAD	○	●	○	DARK	○	●	○
SPIN ONLY				DELICATE		●	○
DUVET	○	●	○	BRA	○	●	○
BULKY	○	●	○				

● Means must      ○ Means optional

## Control Panel



### 1 Display

The display shows settings, estimated remaining time, options and status messages.

### 2 Option

Press buttons to change program parameters or select additional functions.

### 3 On/Off

Power on or off machine.

### 4 Start/Pause

Start or pause your program.

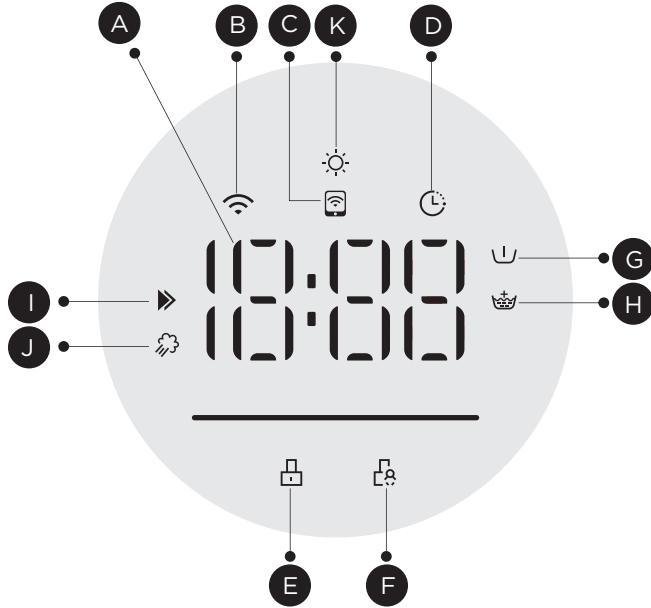
### 5 Program

Choose appropriate program according to the laundry type.

## NOTE

- The Chart is reference only, please refer to real product as standard.

## Display



### A Display

Wash Time

1:25

Speed

400

Error

E 30

Delay End

2H

End

End

Temp.

30

B Wireless Network

C Remote

D Delay End

E Door Lock

F Child Lock

G Pre Wash

H Rinse+

I Turbo

J Steam

K Dry

## Programmes

Programme	Wash/Dry Load (kg)		Temp. (°C)	Default Time (h:min)
	9.5/7.0	10.5/7.0		
☀️ COTTON	9.5/7.0	10.5/7.0	40	1:28
☀️ MIX	9.5/7.0	10.5/7.0	40	1:30
☀️ WASH & DRY	7.0/7.0	7.0/7.0	--	--
☀️ DRY ONLY	--/7.0	--/7.0	--	--
☀️ HealthGuard	5.0/3.5	5.0/3.5	60	2:39
DRUM CLEAN	--	--	90	1:18
DOWNLOAD	5.0/--	5.0/--	20	0:47
SPIN ONLY	9.5/--	10.5/--	--	0:12
☀️ DUVET	2.5/2.5	2.5/2.5	40	1:27
☀️ BULKY	9.5/7.0	10.5/7.0	40	1:48
COTTON ECO	9.5/7.0	10.5/7.0	40	2:17
WOOL	2.0/--	2.0/--	30	1:03
☀️ OUTDOOR	5.0/3.5	5.0/3.5	40	1:20
☀️ QUICK 45'/1H WD	2.0/1.0	2.0/1.0	40	0:45
SPORTS	5.0/--	5.0/--	20	0:47
☀️ BABY CARE	9.5/7.0	10.5/7.0	30	1:20
DARK	5.0/--	5.0/--	Cold	1:00
DELICATE	3.0/--	3.0/--	30	0:50
☀️ BRA	9.5/7.0	10.5/7.0	30	1:30

\*DOWNLOAD default program is SPORTS.

### NOTE

- The parameters in this table are only for user's reference. The actual parameters maybe different with the parameters in above mentioned table.

## Programmes are available according to the laundry type.

Programmes	
COTTON	Hard-wearing textiles, heat-resistant textiles made of cotton or linen.
COTTON ECO	Hard-wearing textiles, heat-resistant textiles made of cotton or linen. Energy-saving programme.
OUTDOOR	For outdoor clothes, skiwear, and sportswear that are made of functional materials such as spandex, stretch, and micro-fibre.
DRY ONLY	Select it to dry clothes. The drying time according to the load.
MIX	Mixed load consisting of textiles made of cotton and synthetics.
HealthGuard	Keep the high temperature for washing, effectively remove harmful bacteria.
DUVET	This program is specially designed for washing duvet coats.
QUICK 45' /1H WD	This procedure defaults to Quick 45', press the "Dry" to switch to 1H WD.
QUICK 45' 1H W/D	Washing few and not very dirty clothes quickly. For small synthetic clothes or shirts, load limitation is 1 kg (about 4 shirts).
WASH & DRY WOOL	The standard energy program for washing and drying. Hand or machine-washable wool or richwool textiles. Especially gentle wash programme to prevent shrinkage, longer programme pauses (textiles rest in wash liquor).
SPIN ONLY	Spins and drains the water.
DRUM CLEAN	Specially set in this machine to clean the drum and tube. It applies 90 °C high temperature sterilization to make the clothes washing more green. When this programme is performed, the clothes or other washing cannot be added. When proper amount of chlorine bleaching agent is put in, the barrel cleaning effect will be better. The customer can use this programme regularly according to the need.
BULKY	This program is specially designed for washing Bulky.
DOWNLOAD	By using App, you can download additional cycles to your machine, we have limited cycle numbers on the panel, but we have more cycles in the app, and we can choose one via the app, and the by controlling the knob, we can apply the app cycle to the machine.
SPORTS	Washing the activewear.
BABY CARE	Washing the baby's clothes, it can make the baby's wear cleaner and make the rinse performance better to protect the baby skin.
DARK	Washing dark clothes, it can protect the colors better.
DELICATE	For delicate, washable textiles, e.g. made of silk, satin, synthetic fibres or blended fabrics.
BRA	Specially made for washing underwear is more demanding on rinsing strength.

The program (SPORTS/BABY CARE/DARK/DELICATE/BRA) can only be selected by SmartHome App on mobile phones.

## Option

Cycle	Default Temp.(°C)	Default spin speed (rpm)	Additional functions
		<b>1400</b>	
COTTON	40	800	🕒 📏 👑 ▶️ 🌀 Soak Soil Level ☀️
MIX	40	1400	🕒 📏 👑 ▶️ 🌀 Soak Soil Level ☀️
WASH & DRY	--	1400	🕒 🌀 Soil Level ☀️
DRY ONLY	--	0	🕒 ☀️
HealthGuard	60	800	🕒 📏 👑 🌀 Soil Level ☀️
DRUM CLEAN	90	--	🕒
DOWNLOAD	20	800	🕒 📏 👑 Soak Soil Level
SPIN ONLY	--	1000	🕒
DUVET	40	800	🕒 📏 👑 Soak Soil Level ☀️
BULKY	40	800	🕒 📏 👑 ▶️ 🌀 Soak Soil Level ☀️
COTTON ECO	40	1400	🕒
WOOL	30	800	🕒 👑 Soil Level
OUTDOOR	40	800	🕒 📏 👑 ▶️ Soak Soil Level ☀️
QUICK 45'/1H WD	40	800	🕒 📏 👑 Soil Level ☀️
SPORTS	20	800	🕒 📏 👑 Soak Soil Level
BABY CARE	30	800	🕒 📏 👑 ▶️ 🌀 Soak Soil Level ☀️
DARK	Cold	1000	🕒 📏 👑 ▶️ Soak Soil Level
DELICATE	30	800	🕒 👑 Soil Level
BRA	30	800	🕒 📏 👑 ▶️ 🌀 Soak Soil Level ☀️

\*DOWNLOAD default program is SPORTS.

Recommend program: COTTON + Wash temp 60° C+ Spin speed:1400rpm; Others as the default.  
How to select the Water Efficiency test program



Select **Cotton** program

Press button "Temp." to **60 °C**

Press button "Spin" to **1400**

Press **Start/Pause**

## NOTE

- The table shows which cycle offers which options for adjustment.

---

**Spin****Spin**

When needed, the spinning speed can be adjusted pressing the Speed button in the following steps: 1400: 0-400-600-800-1000-1200-1400.

---

**Remote**

This is the switch of remote control, if you want to use your smartphone to control the appliance remotely, you need to hold [Remote] button.

Considering the safe operation of appliance, the smartphone remote control should meet the following conditions:

1. The appliance should connect to the internet;
2. The door of drum should be closed.

Remark:

- . If the door is open in anytime, the remote control function will be failure.
  - . The remote control function is turned off at the end of each cycle automatically, if you want to use remote control function again, you need turn on it again.
- 

**Pre Wash**

Extra washing function before the main washing cycle starts to increase the washing performance.

 **NOTE**

Detergent needs to be added to the compartment PRE WASH.

---

**Wireless Network**

Methods to turn on the Wireless Network function

1. Press [Soak] button for 3 seconds to turn on the Wireless Network function, it can also configure the network or reset the network.

Methods to turn off the Wireless Network function

1. Press [Temp.] 3 seconds to turn off the Wireless Network function.
2. Or unplug the appliance.

 **NOTE**

- The detail of connect Wireless Network , pls check “ APP SETUP AND OPERATION ” .
- 

**Temp.****Temp.**

When needed, the washing temperature can be adjusted by pressing the temperature button in the following steps:

Cold - 20°C - 30°C - 40°C - 60°C - 90°C.

---

**Soak****Soak**

When water reaches the target level, soak for about 20 minutes.

---



### Rinse+

The laundry will undergo an extra rinse after selecting this function.



### Turbo

The function can decrease the washing time.



### Soil Level

The washing time will increase or decrease after you select it.

#### **NOTE**

The function can be chosen from APP.



### Steam

Steam is the function added before main wash, which will generate warm steam to sterilization and greater washing performance.



### Delay End

1. Select a program
2. Press the Delay End button to choose the delaying time 0-24H
3. Press [Start/Pause] to start the delay operation



Choose program

Setting time

Start

To cancel the Delay function, press the "Delay End" button before starting the program until the display shows 0 H. If the program has already started, switch the appliance off and afterwards on and select a new program.



### Child Lock

This function is meant to keep children from misusing the controls.



Press [Steam] and [Temp.] simultaneously for 3 sec until the buzzer beep. The child lock indicator switches on.

↳ 3s Child Lock ↵



### **CAUTION**

When the Child Lock is activated, the display will alternately show "CL" and the remaining time.

Pressing any other button will cause the Child Lock indicator to flash. When the program ends, "CL" and "End" will alternate on the display.

The Child Lock deactivates the function of all buttons except the On/Off button and the Child lock button!

Only the simultaneous pressing of the two buttons [Steam] and [Temp.] can deactivate the Child Lock!

Please deactivate the Child Lock before selecting a new program!





## Reload

This operation can be executed during the washing progress. When the drum is still rolling and there is large amount of water with high temperature in the drum. The state is unsafe and the door cannot be opened forcefully.

To press [3s Reload] 3sec. to reload, and start the clothes adding in the midway function. Please follow the steps as below:

1. Wait until the drum stops rotation.
2. The door lock is unlocked.
3. Close the door when the clothes are reloaded and press the [Start/Pause] button.



Press [3s Reload] 3sec.



Reload the clothes



Start



## CAUTION

- Don't use the Reload function when the water level over the edge of the inner tub or the temperature is higher.



## Dry

Press the Dry button continuously to choose the dry level: Standard Dry/ Strong Dry / Weak Dry / Timed Dry.

Standard Dry(d-2): Clothes are ready for storing in the cupboard.

Strong Dry(d-3): Clothes are dried complete to be worn directly.

Weak Dry(d-1): Clothes are dried to damp state for ironing.

Timed Dry: Drying your laundry and finish within given time.

(30/60/90/120/180 minutes)



## NOTE

- Drying hints
  - Clothes could be dried after spinning
  - To ensure quality dry the textiles, please classify them according to their kinds and the drying temperature.
  - Synthetic should be set the proper drying time .
  - If you want to iron the clothes after drying, please put them for a while.
- Clothes not suitable for drying
  - Particularly delicate items such as synthetic curtains, woolen and silk, clothes with metal inserts, nylon stockings, bulky clothes, such as anoraks, bedcovers, quilts, sleeping bags and duvets must not be dried.
  - Clothes padded with foam-rubber or materials similar to foam-rubber must not be machine dried.
  - Fabrics containing residues of setting lotions or hair sprays, nail solvents or similar solutions must not be machine dried in order to avoid the formation of harmful vapours.

# APP SETUP AND OPERATION

## Use Your Appliance With the SmartHome App

Before you start, make sure that:

1. Your smartphone is connected to home wireless network, and you know the network password.
2. Make sure you are near the home appliance.
3. The 2.4GHz band wireless signal is enabled on your wireless router.

## Follow the below steps to enter the remote control state

### Download the SmartHome App

On an app market (Google Play Store, Apple App Store), search for "SmartHome\*" and find the SmartHome app. Download and install it on your phone. You can also download the app by scanning the QR code below.



### Register and Log In

Open the SmartHome app, and create a new account to start (you can also register through a third-party account). If you already have an existing account, use the account to log in.




### Connect Your Devices to SmartHome

1. Please make sure your mobile phone is connected to a wireless network. If it is not, go to settings and enable wireless networks and bluetooth.
2. Please power on your devices.
3. Open SmartHome app on your phone.
4. If a message of "Smart devices discovered nearby" appears, click to add.
5. If no message appears, select "+" on the page and select your device in the list of nearby devices available. If your device is not listed, please add your device manually by the device category and device model.
6. Connect your device to the wireless network according to instructions on app. If the connection fails, please follow the instructions provided by the app to continue with the operation.



## Start the Remote Control

Rotate the knob randomly to indicate one of the programs, and press [  ] continuously until the remote control icon light up in the knob display, which means it has entered the remote control state and you can start to control remotely.

### Wireless Network Status Light

Slowly flashing	Waiting for connection
Quickly flashing	Connecting
Quickly flashing solid	Connected to your wireless router

#### NOTE

1. Make sure your devices are powered on.
2. Keep your mobile phone close enough to your device when you are connecting your device to the network.
3. Connect your mobile phone to the wireless network at home, and make sure you know the password of the wireless network.
4. Check if your wireless router supports 2.4 GHz band and turn it on. If you are not sure whether the router supports 2.4 GHz band, please contact the router manufacturer.
5. The device cannot connect to the wireless network that requires authentication, and it usually appears in public areas such as hotels, restaurants, etc. Please connect to a wireless network that does not require authentication.
6. Turn off the WLAN+ (Android) or WLAN Assistant (iOS) function of your mobile phone when connecting your device to the network.
7. In the case that your device connected to a wireless network before but it needs to reconnect, please click "+" on the app Home page, and add your device again by the device category and model according to the instructions on app.

# CLEANING AND MAINTENANCE

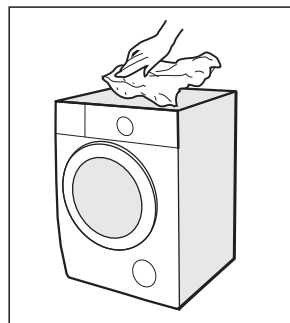
## Cleaning and Care

### **WARNING**

- Always unplug the appliance and close the water tap before cleaning and maintenance.
- When cleaning the product, do not stretch your hands, feet or arms into the bottom of the machine case to prevent scratches.

### **Cleaning the Cabinet**

Proper maintenance on the machine can extend its working life. The surface can be cleaned with diluted non-abrasive neutral detergents when necessary. If there is any water overflow, use a towel to wipe it off immediately. Never use sharp items to clean the appliance.



### **CAUTION**

- Never use abrasive or caustic agents. Such as formic acids or its diluted solvents or similar substances, like alcohol or chemical products.

### **Cleaning the Drum**

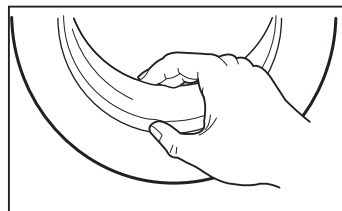
Any rust stains left inside the drum by metal articles must be removed immediately using chlorine-free detergents. Never use steel wool for cleaning the drum!

### **NOTE**

- Keep any laundry away from the machine while cleaning the drum.

### **Cleaning the Door Seal and Glass**

Wipe the glass and seal after each wash to remove lint and stains. If lint builds up it can cause leakages. Remove any coins, buttons and other objects from the seal after each wash. Clean the door seal and glass every month to ensure the normal operation of the appliance.

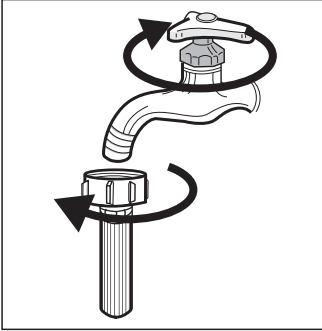


## Cleaning the Inlet Filter

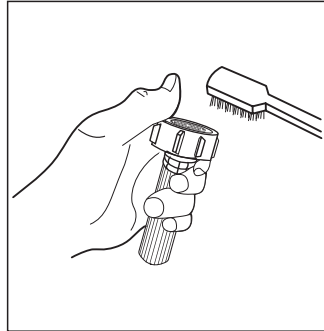
### NOTE

- Diminishing water flow is a sign that the filter needs to be cleaned.

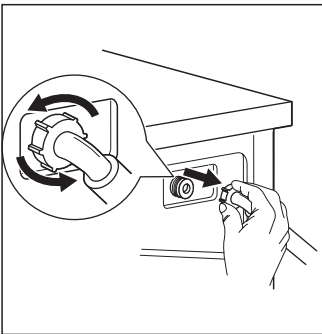
1. Close the tap and remove the water supply hose from it.



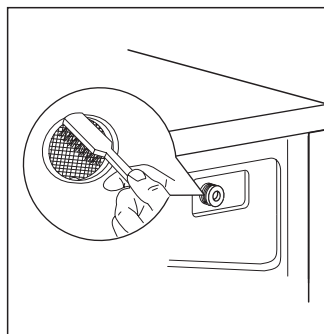
2. Clean the filter with a brush.



3. Unscrew the water supply hose from the backside of the machine. Pull out the filter with long nose pliers.




4. Use a brush to clean the filter.

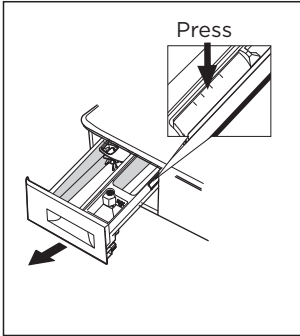


5. Reinstall the filter to the water inlet and reconnect the water supply hose.
6. Clean the Inlet filter every 3 months to ensure the normal operation of the appliance.

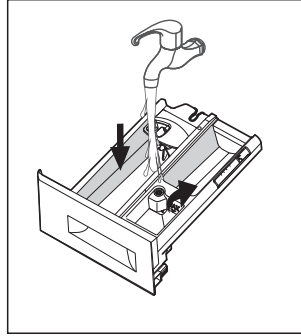
## Cleaning the Detergent Dispenser

1. Press down the release [  ] on the softener cover and pull the dispenser drawer out of the recess. Clean the inside of the recess with a brush.
2. Lift the softener cover off the dispenser drawer and wash both items with water.
3. Restore the softener cover and push the drawer back into the recess.

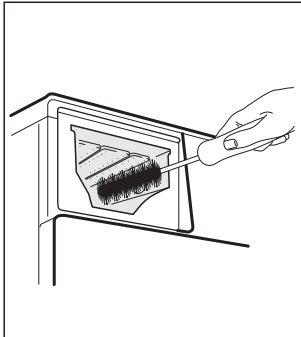
1. Press the release and remove the dispenser drawer



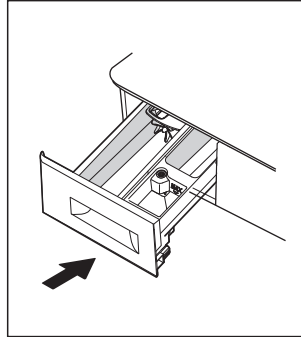
2. Clean the dispenser drawer and the softener cover under water



3. Clean the recess with a soft brush



4. Insert the dispenser drawer



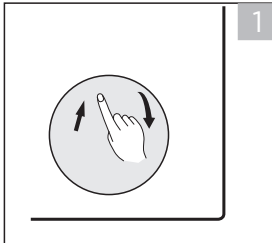
### NOTE

- Do not use abrasive or caustic agents to clean plastic parts.
- Clean the detergent dispenser every 3 months to ensure the normal operation of the appliance.

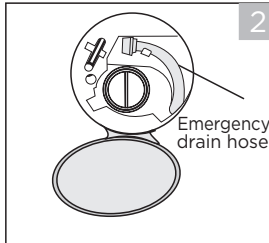
## Cleaning the Drain Pump Filter

### WARNING

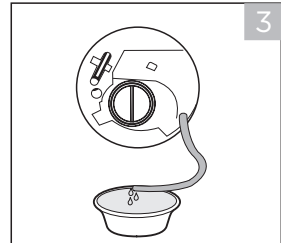
- Make sure that the machine has finished the washing cycle and is empty. Switch it off and unplug it before cleaning the drain pump filter.
- Be careful of hot water. Wait for water cooling down. Risk of scalding!
- Clean the filter periodically every 3 months to ensure the normal operation of the appliance.



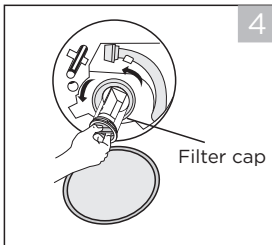
Open the lower cover cap



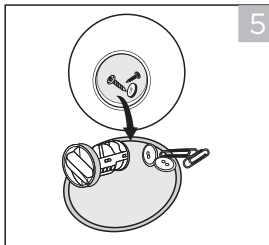
Pull out the emergency drain hose, and take off the hose cap



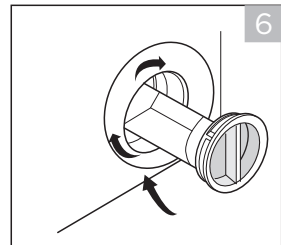
After water runs out, reset the drain hose



Open the filter by turning to the counter clockwise



Remove extraneous matter



Carefully reinsert the filter and screw the lower cover cap in clockwise

### CAUTION

- Make sure that valve cap and emergency drain hose are reinstalled properly, cap plates should be inserted aligning to hole plates otherwise water may leak.
- Some machines don't have emergency drain hose, so step 2 and step 3 can be skipped. Rotate lower cover cap directly to make water run into basin.
- When the appliance is in use and depending on the programme selected there can be hot water in the pump. Never remove the pump cover during a wash cycle, always wait until the appliance has finished the cycle, and is empty. When replacing the cover, ensure it is securely re-tightened.

# TROUBLE SHOOTING

Whenever there is a problem with the appliance, check if you can solve it following the tables below. If the problem persists, please contact the customer service.

Description	Possible Cause	Solution
Appliance does not start	Door is not closed properly. Clothes are stuck.	Close the door properly and restart. Check the laundry.
Door can't be opened	Safety protection is activated.	Disconnect the power and restart.
Water leakage	Connections are not tight enough.	Check and fasten the water inlet pipe. Check and clean the outlet hose.
Detergent residues in the detergent dispenser	Detergent is damp and/or clotted.	Clean and wipe the detergent dispenser dry.
Indicator or display does not work	PC board or harness have connection problems.	Switch off the power and check if the mains plug is connected properly.
Abnormal noise	Fixing bolts are still in place. Floor is not solid or level.	Check if the fixing bolts have been removed. Make sure the appliance is installed on a solid and level floor.

## Error Codes

Description	Possible Cause	Solution
<b>E30</b>	Door is not closed properly.	Close the door properly and restart.
<b>E10</b>	Water injecting problem during wash cycle.	Check if the water pressure is high enough. Straighten the water pipe. Clean the inlet valve filter.
<b>E21</b>	Overtime water draining	Check the drain hose for blockage.
<b>E12</b>	Water overflow	Restart the appliance.
<b>EXX</b>	Others	Restart the appliance. If problem persists, please contact the customer service.

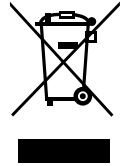


# DISPOSAL AND RECYCLING

## Important Instructions for Environment

Compliance with the WEEE Directive and Disposing of the Waster Product:  
This product complies with EU WEEE Directive (2012/19/EU). This product bears a classification symbol for waster electrical and electronic equipment (WEEE).

This symbol indicates that this product shall not be disposed with other household wastes at the end of its service life. Used device must be returned to official collection point for recycling of electrical electronic devices. To find these collection systems please contact to your local authorities or retailer where the product was purchased. Each household performs important role in recovering and recycling of old appliance. Appropriate disposal of used appliance helps prevent potential negative consequences for the environment and human health.



## Compliance with RoHS Directive

The product you have purchased complies with EU RoHS Directive (2011/65/EU). It does not contain harmful and prohibited materials specified in the Directive.

## Package Information

Packaging materials of the product are manufactured from recyclable materials in accordance with our National Environment Regulations. Do not dispose of the packaging materials together with the domestic or other wastes. Take them to the packaging material collection points designated by the local authorities.



In case of questions, please contact our local customer service center.

### **WARNING**

Risk of electric shock

- Never try to repair an appliance which is defective or presumed to defective. You may put your own and future users' lives in danger. Only authorised specialists are allowed to carry out this repair work.
- Improper repair will void the warranty and subsequent damages can't be recognized!

### **Transport**

IMPORTANT STEPS WHEN MOVING THE APPLIANCE

- Unplug the appliance and close the water inlet tap.
- Check if the door and the detergent dispenser are closed properly.
- Remove the water inlet pipe and the outlet hose from the house installations.
- Let the water drain completely from the appliance (see "Cleaning the Drain Pump Filter")
- Important: Re-install the 4 transport bolts in the back of the appliance.
- This appliance is heavy. Transport with care. Never hold any protruding part of the machine when lifting. The machine door can not be used as a handle.



*make yourself at home*