

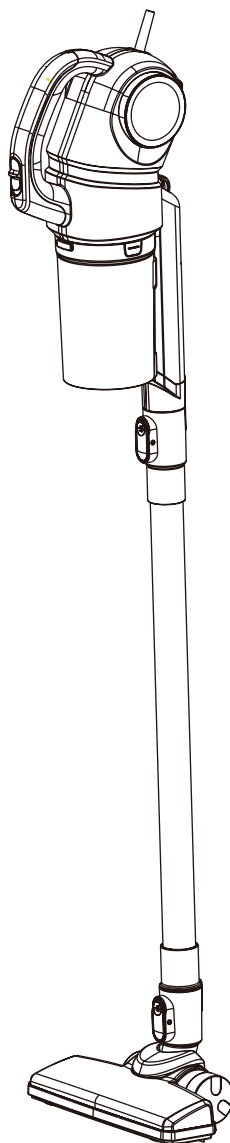


**Vacuum Cleaner  
MCS2045BS**

**PLEASE READ THE  
MANUAL CAREFULLY  
BEFORE USING AND  
KEEP IT PROPERLY  
FOR FUTURE USE**

**Warning notices: Before using this product, please read this manual carefully and keep it for future reference.  
The design and specifications are subject to change without prior notice for product improvement. Consult with your dealer or manufacturer for details.**

## INSTRUCTION MANUAL





## IMPORTANT SAFETY INSTRUCTIONS

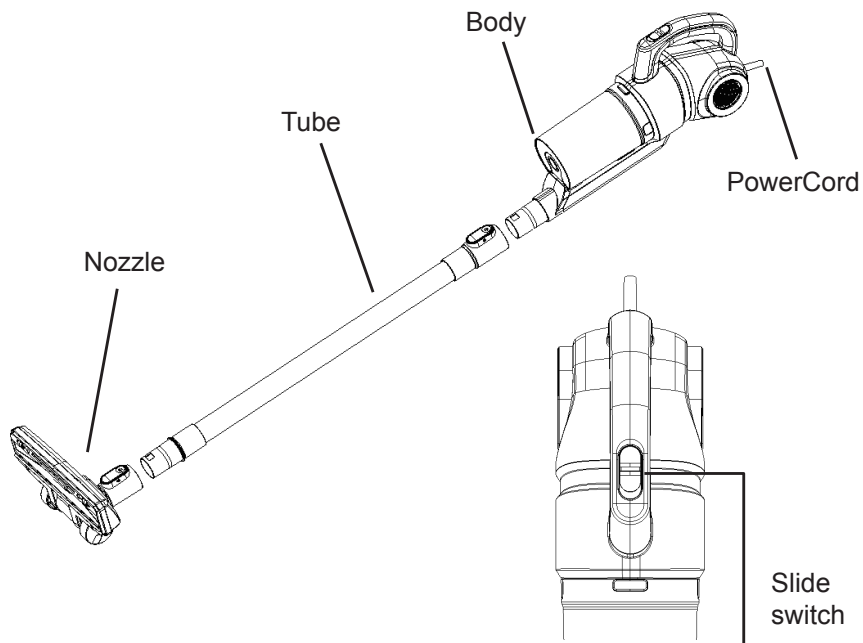
This section contains safety instructions that will help protect from risk of personal injury or property damage. Failure to follow these instructions invalidates the given warranty.

- This appliance complies with international safety standards.
- Children shall not play with the appliance. Cleaning and user maintenance shall not be made by children without supervision.
- If the adapter or the appliance itself is damaged, do not use it. Contact an authorised service centre.
- Prevent damage to the power cable by not squeezing, bending, or rubbing it on sharp edges.
- Do not touch the appliance or its plug when it is plugged if your hands are damp or wet.
- Do not pull the power cable when unplugging the appliance.
- Do not vacuum flammable materials and when vacuuming cigarette ash, make sure that it has cooled down.
- Do not vacuum water or other liquids.
- Protect the appliance from rain, humidity and heat sources.
- Never use the appliance in or near places where combustible or flammable environments are present.
- Unplug the appliance before cleaning and maintenance.
- Do not immerse the appliance in water for cleaning.
- Do not attempt to dismantle the appliance.
- Use the original parts or parts recommended by the manufacturer only.
- Do not attempt to vacuum particles such as cement, plaster and compressed paper in order to prevent the filter from being clogged and the motor being damaged.
- If the adapter is damaged, it must be replaced by the manufacturer or its agent or similarly qualified person in order to avoid hazard.

## IMPORTANT SAFETY INSTRUCTIONS

- Use the appliance only with the power adapter supplied.
- Do not use the appliance without filters fitted, otherwise it can get damaged.
- If you keep the packaging materials, store them out of the reach of children.
- This appliance is not intended for use by persons (including children) with reduced physical, sensory or mental capabilities, or lack of experience and knowledge, unless they have been given supervision or instruction concerning use of the appliance by a person responsible for their safety.
- Children should be supervised to ensure that they do not play with the appliance.
- The appliance is only to be used with the power supply unit provided with the appliance.
- The adapter must be removed from the socket-outlet and the battery pack must be removed from the appliance before cleaning or maintaining the appliance
- Keep fingers, hair and loose clothing from moving parts and openings whilst using the vacuum cleaner.
- The battery must be removed from the appliance before it is scrapped;
- Please dispose of used batteries according to local laws and regulations.
- This appliance contains batteries that are only replaceable by skilled persons.
- The supply terminals are not to be short-circuited.

## Assembly and other parts instruction



Accessories list:



**Instruction  
Manual**

### **Tips:**

When cleaning the high places, please assemble the accessories on tube or body.

# Operation 1:

## Cleaning:

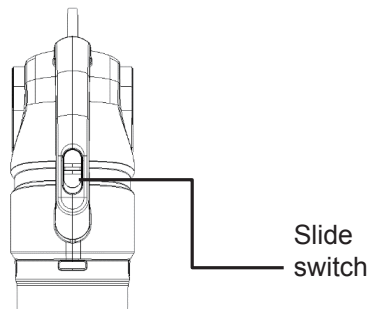
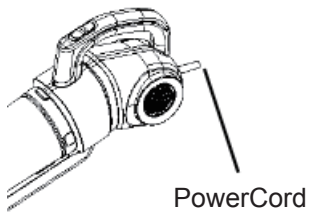
### Note:

To avoid the air flue being blocked, please clean the big particle waste. (such as paper, cloth and others)

Before connect to power, Be sure the slide switch is closed.

### No. Operation instruction

- 1 Conect the power to AC 220~240V power socket
- 2 Push forward " Slide switch" to start
- 3 Pull backward "Slide switch" to stop



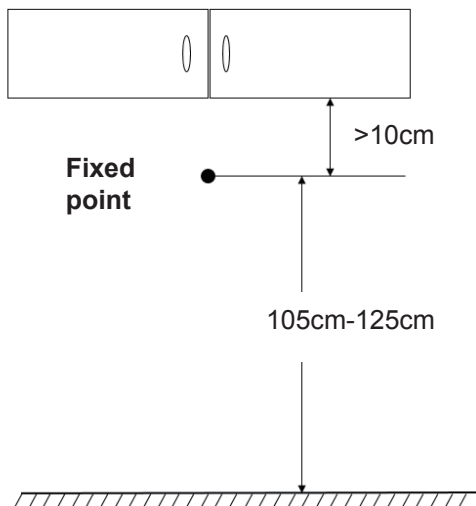
## Operation 2

**Wall-hung assembly and usage:**

### 1. Wall-hung assembly

When not using the cleaner, please store the cleaner on wall.

### 2. Choose the wall-hung assembly location



**3. Fixed the M3/M4/M5/M6 screw to the fixed point, and be sure the distance between surface of screw and wall surface is bigger than 3mm.**

**4. Store the cleaner on wall**

## Operation 3

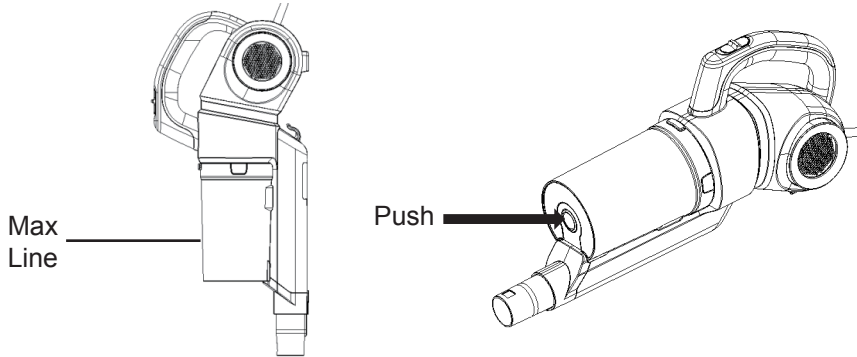
### Clean and maintain cleaner

#### Dust cup disassembly and clean

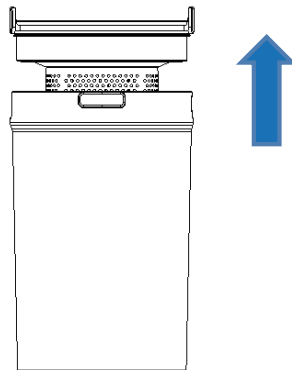
##### Tips:

To keep the suction power of cleaner, please clean the dust in it regularly.

1. Knob down the dust cup release button, take down the cup

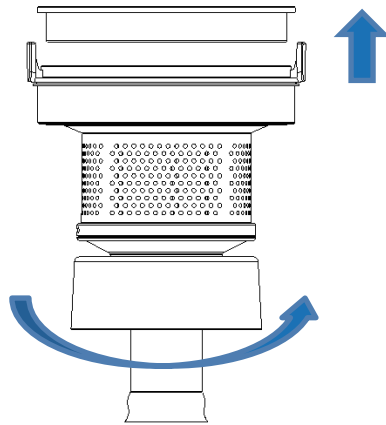


2. Take out the cyclone from dust cup and release dust





3. Disassemble cyclone and clean, all parts are washable.



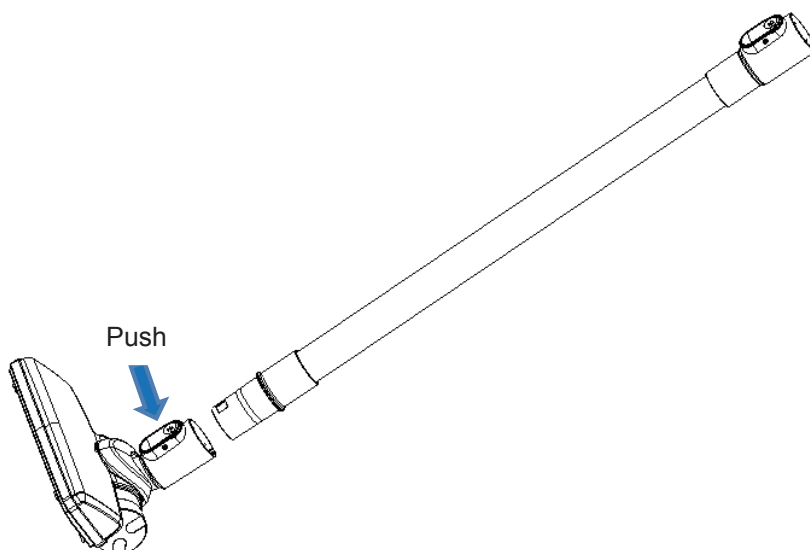
4. After airing all parts completely, assemble them according to disassembly steps.

## Operation 4

### Clean and maintain nozzle

#### Note:

1. To avoid affect the normal operation of nozzle, when wheels are dusty, please clean and maintain them.
2. When disassemble and main brush, please make sure it's not working.
3. Push button and take off the nozzle.



#### Tips:

Don't suggest to wash the nozzle.

If the wheels were tangled by hair, please use scissor or knife to clean.



