



本文件含美的集团保密信息，禁止任何人未经授权以任何形式使用（包含不限于全部或部分地泄露、复制或散发）

A

技术要求：

- 1. 该手册印刷颜色均为黑色 :PANTONE BLACK C
- 2. 纸张规格为 145X210MM
- 3. 如果供应商的排版需要加空白页，请加在封底之前
- 4. 需要符 QMWD-J03.092-2021 产品说明书技术条件；
- 5. 说明书纸张材料、装订用书钉、印刷油墨及光油，须符合欧盟 REACH 法规、PAHs 指令及 RoHS 指令等环保指令要求，详见 QMWD-J15.001 洗碗机公司产品及零部件绿色 设计通则。

B

封底按要求印刷物料条码，红色字和框不用印刷



www.midea.com
© Midea 2022. 请仔细阅读

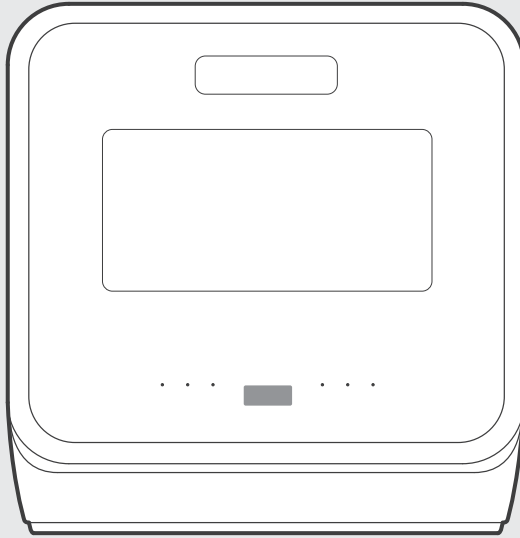


此红框内物料用户手册目的由物料编码，红色框内物料编号为：00000000000000000000

C

D

						用户手册 MDC17P4CWW(WQP4-2601D-US) MIDEA美国(IEC)(2套)(无软水) (无蒸汽洗)(无智能洗)	6720603301
标记	处数	分区	更改文件号	签名	日期	阶段	比例
编制				校对		REV. 01	1:1
审核				性能		数量	重量
审定				排版		1	
批准				日期		共 1 张	第 1 张
							佛山市顺德区美的 洗涤电器制造有限公司



Dishwasher

USER MANUAL

MDC17P4CWW

Warning notices: Before using this product, please read this manual carefully and keep it for future reference. The design and specifications are subject to change without prior notice for product improvement. Consult with your dealer or manufacturer for details. The diagram above is just for reference. Please take the appearance of the actual product as the standard.

THANK YOU LETTER

Thank you for choosing Midea! Before using your new Midea product, please read this manual thoroughly to ensure that you know how to operate the features and functions that your new appliance offers in a safe way.

CONTENTS

THANK YOU LETTER	01
SAFETY INSTRUCTIONS	02
SPECIFICATIONS	07
PRODUCT OVERVIEW	08
QUICK START GUIDE	09
PRODUCT INSTALLATION	11
OPERATION INSTRUCTIONS	14
CLEANING AND MAINTENANCE	21
TROUBLESHOOTING	24
TRADEMARKS, COPYRIGHTS AND LEGAL STATEMENT	28
DISPOSAL AND RECYCLING	29
DATA PROTECTION NOTICE	30
WARRANTY	31

SAFETY INSTRUCTIONS

YOUR SAFETY AND THE SAFETY OF OTHERS ARE VERY IMPORTANT

To prevent injury to the user or other people and property damage, the instructions shown here must be followed. Incorrect operation due to ignoring of instructions may cause harm or damage, including death. The level of risk is shown by the following indications.



WARNING

This symbol indicates the possibility of death or serious injury.



CAUTION

This symbol indicates the possibility of injury or damage to property.



WARNING

This symbol indicates the possibility of dangerous voltage constituting a risk of electrical shock is present that could result in death or serious injury.



WARNING/GROUNDING INSTRUCTIONS

Improper connection of the equipment-grounding conductor can result in a risk of electric shock. Check with a qualified electrician or service representative if you are in doubt whether the appliance is properly grounded. Do not modify the plug if provided with the appliance. If the plug will not fit the outlet, have a proper outlet installed by a qualified electrician.

For a grounded, cord-connected appliance:

This appliance must be grounded. In the event of a malfunction or breakdown, grounding will reduce the risk of electric shock by providing a path of least resistance for electric current. If this appliance is equipped with a cord having an equipment-grounding conductor and a grounding plug, the plug must be plugged into an appropriate outlet that is installed

For a permanently connected appliance:

This appliance must be connected to a grounded metal, permanent wiring system, or an equipment-grounding conductor must be run with the circuit conductors and connected to the equipment-grounding terminal or lead on the appliance.



WARNING

When using your dishwasher, follow basic precautions, including the following:

- Read all instructions before using the dishwasher.
- Use the dishwasher only for its intended function.
- Use only detergents or rinse/wetting agents recommended for use in a dishwasher and keep them out of the reach of children.
- When loading items to be washed:
 - Locate sharp items so that they are not likely to damage the door seal.
 - Load sharp knives with the handles up to reduce the risk of cut-type injuries.
- Do not wash plastic items unless they are marked “Dishwasher Safe” or the equivalent. For plastic items not so marked, check the manufacturer’s recommendations.
- Items that are not dishwasher safe may melt and create a potential fire hazard.
- Do not touch the heating element during or immediately after use.
- Do not operate your dishwasher unless all enclosure panels are properly in place.

- Do not tamper with controls.
- Do not abuse, sit on, or stand on the dishwasher door, or dish racks.
- To reduce the risk of injury, do not allow children to play in or on a dishwasher.
- Under certain conditions, hydrogen gas may be produced in a hot-water system that has not been used for two weeks or more. HYDROGEN GAS IS EXPLOSIVE. If the hot-water system has not been used for such a period, before using the dishwasher turn on all hot-water faucets and let the water flow from each for several minutes. This will release any accumulated hydrogen gas. As the gas is flammable, do not smoke or use an open flame during this time.
- Severe product damage and/or injury could result from the use of unqualified service technicians or non-original replacement parts. All repairs must be performed by a qualified service technician using only original equipment factory replacement parts.
- Do not store or use combustible materials, gasoline or other flammable vapors and liquids in the vicinity of this or any other appliance.
- Keep young children and infants away from dishwasher when it is operating.
- Do not use the dishwasher if it has a damaged power line or plug, and do not plug the dishwasher into a damaged outlet. Failure to observe these instructions may result in electrical shock.
- This manual does not cover every possible condition or situation that may occur.
- Remove the door to the washing compartment when removing an old dishwasher from service or discarding it.

SAVE THESE INSTRUCTIONS

THIS APPLIANCE IS FOR HOUSEHOLD USE ONLY

WARNING



Tip Over Hazard

- Do not use dishwasher until completely installed.
- Do not push down on open door
- Doing so can result in serious injury or cuts.

State of California Proposition 65 Warnings:



WARNING: Cancer and Reproductive Harm
-www.P65Warnings.ca.gov.

CAUTION

- Never use harsh chemicals to clean your dishwasher. Some chloride-containing products can damage your dishwasher and may present health hazards!
- Never use steam cleaning products to clean your dishwasher. The manufacturer will not be responsible for the possible damages or consequences.
- To avoid possible dishwasher damage, do not use harsh chemicals, abrasive cleaners, scouring pads (metal or plastic), or abrasive cloths/paper towels to clean your dishwasher's exterior door panel. Your dishwasher's exterior door panel can be damaged by doing so.
- It is highly recommended that the user become familiar with the procedure to shut off the incoming water supply and the procedure to shut off the incoming power supply. See the Installation Instructions or contact your installer for more information.
- If the dishwasher drains into a food disposer, make sure disposer is completely empty before running dishwasher.
- NSF/ANSI 184 Certified residential dishwashers are not intended for licensed food establishments.
- Protect your dishwasher from the elements. Protect against freezing to avoid possible damage to the fill valve. Damage caused by freezing is not covered by the warranty.
- Not for outdoor use.

OPERATING REQUIREMENTS

ELECTRICAL REQUIREMENTS

WARNING

Electrical Shock Hazard

- Electrically ground dishwasher.
- Connect ground wire to green ground connector in terminal box.
- Do not use an extension cord.
- Failure to follow these instructions can result in death, fire, or electrical shock.

This dishwasher is designed for operation on an adequately wired individual 120 V, 60 Hz, 15- or 20-amp fused electrical supply with copper wire only. It is recommended that a time-delay fuse or circuit breaker is used, and that a separate circuit serving only this appliance is provided. If an outlet is used, the outlet should be placed in adjacent cabinet.

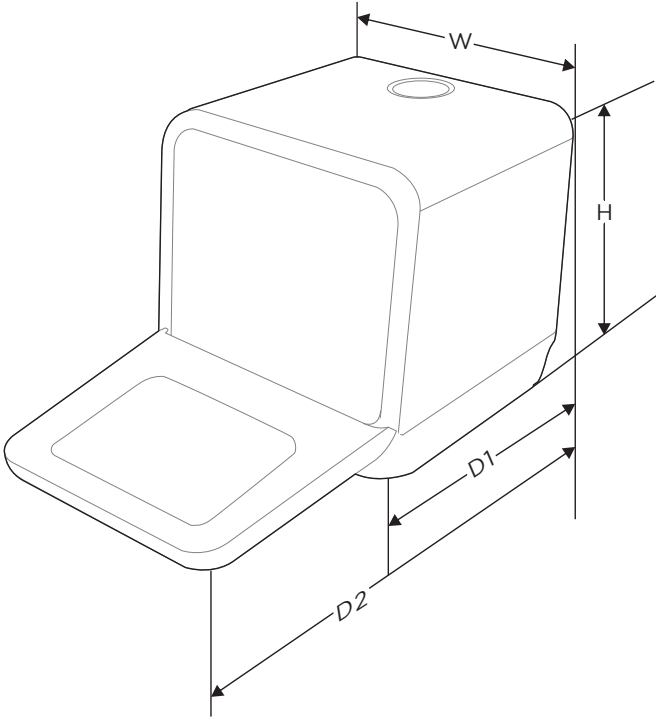
LOCATION REQUIREMENTS

- Install where dishwasher is protected from the elements. Protect against freezing to avoid possible rupture of fill valve. Such ruptures are not covered by the warranty. For winter storage information, see “Storing” in the “Dishwasher Care” section.
- Install and level dishwasher on a floor that will hold the weight and in an area suitable for its size and use.

WATER SUPPLY REQUIREMENTS

- The water supply temperature should be 120°F to 150°F (49°C to 66°C).
- The water supply must maintain water pressure between 20 and 80 psi for sufficient flow.

SPECIFICATIONS



Height (H)	17 1/2 inches
Width (W)	16 5/8 inches
Depth (D1)	17 1/2 inches (with the door closed)
Depth (D2)	29 5/8 inches (with the door opened 90°)

Product information sheet

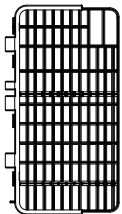
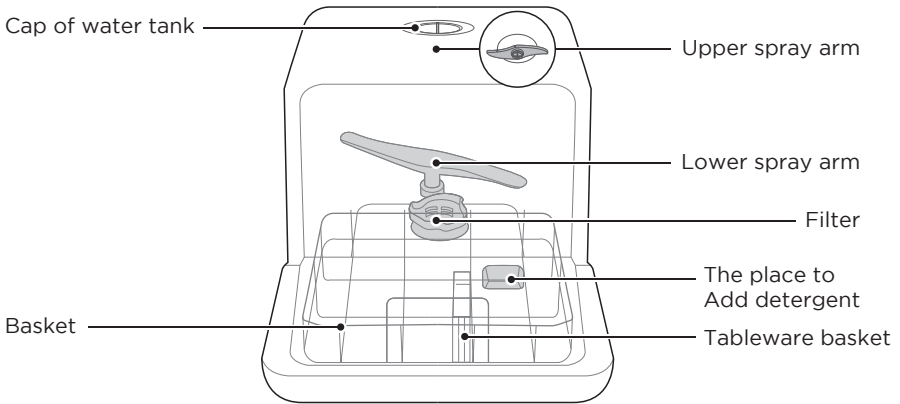
Standard place setting	2
Rated voltage / frequency	AC 120V/60Hz

PRODUCT OVERVIEW

Product

● IMPORTANT

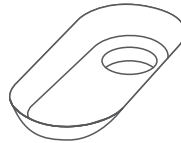
To get the best performance from your dishwasher, read all operating instructions before using it for the first time.



Cutlery Basket



Water bottle



Water Filling Guide



Drain hose

● NOTE

Pictures are only for reference, different models may be different.

QUICK START GUIDE

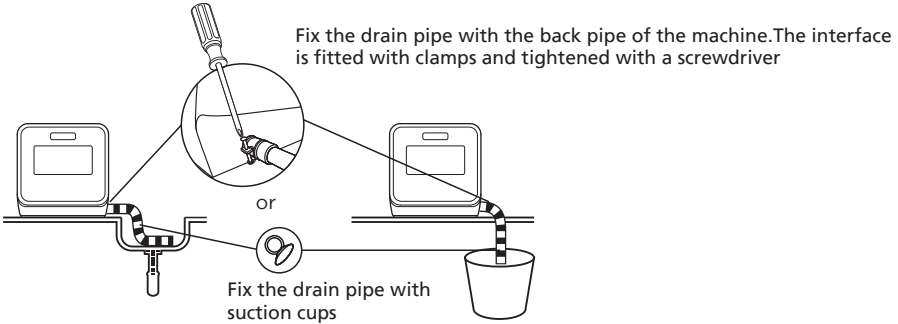
Please read the corresponding content in the instruction manual for detailed operating method.

1. Connected to power supplies

The power supply is 120V AC 60Hz

The specification of the socket is 10Amp circuit

Drainpipe Connection: Insert the drainpipe's end securely into a sink drain or appropriate bucket.





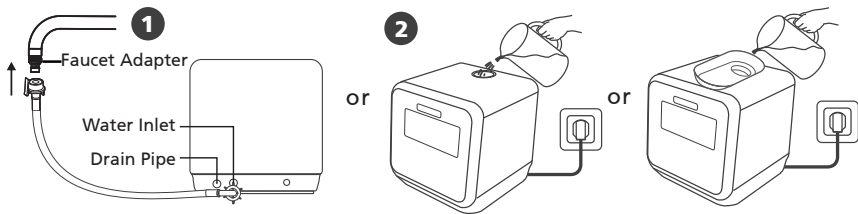
2. Add water into the dishwasher's tank

Note: Before adding water, you need to press power button to turn on the dishwasher.

There are two ways to add water into the tank:

- 1 Add water into the tank automatically by connecting inlet hose to the tap.
- 2 Open the cap and slowly add water into the tank manually by using water container.

The water tap symbol  will be on if there is not enough water in the tank. Add water until the unit beeps rapidly for 3 seconds and  is off, which means the tank is filled.



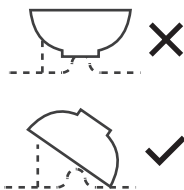
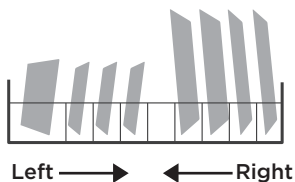
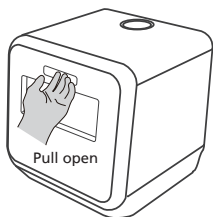
3. Remove the larger residue

Please remove the large residue before placing.

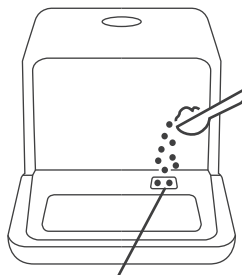


4. Open the door, placing the dishes and adding detergent

Placing order by size and from the two sides to the middle. All cutlery are suggested to be tilted to improve cleaning performance.
The arm will be blocked with the improper placement of the cutlery and cleaning effect may not be ideal.

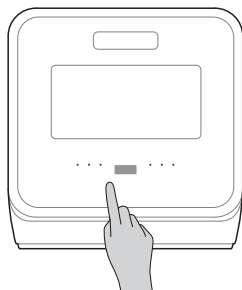
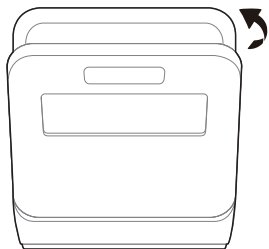


Should not place the cutlery in the right direction or may affect the cleaning performance. Try to leave the dirty face towards the spray arm.



The place to add the detergent (Do not add detergent to wash fruits)

5. Close the door, select the program and start the dishwasher



PRODUCT INSTALLATION

WARNING



Electrical Shock Hazard
Disconnect electrical power before installing dishwasher.
Failure to do so could result in death or electrical shock.

Attention

The installation of the pipes and electrical equipments should be done by professionals.

About Power Connection

WARNING

For personal safety:

Do not use an extension cord or an adapter plug with this appliance. Do not, under any circumstances, cut or remove the earthing connection from the power cord.

Electrical requirements

Please look at the rating label to know the rating voltage and connect the dishwasher to the appropriate power supply. Use the required fuse 10A/13A/16A, time delay fuse or circuit breaker recommended and provide separate circuit serving only this appliance.

Electrical connection

Ensure the voltage and frequency of the power being corresponds to those on the rating plate. Only insert the plug into an electrical socket which is earthed properly. If the electrical socket to which the appliance must be connected is not appropriate for the plug, replace the socket, rather than using a adaptors or the like as they could cause overheating and burns.

 **Ensure that proper earthing exists before use**

Installation preparation

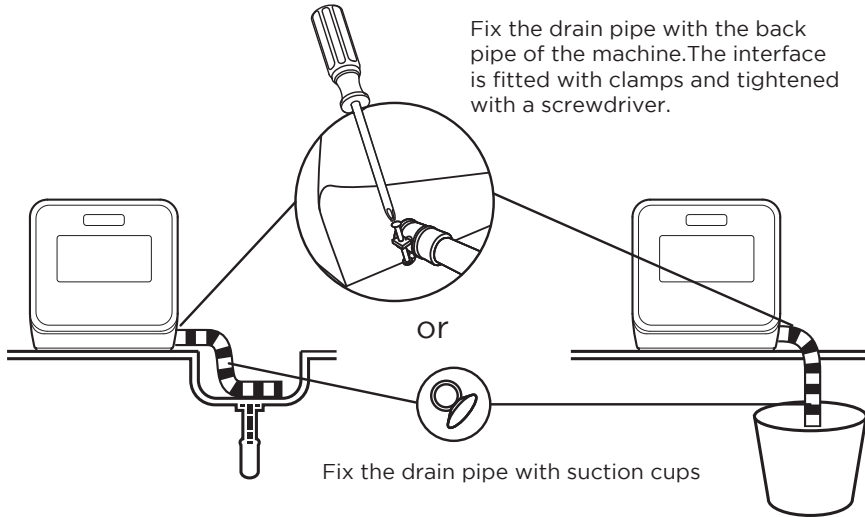
The installation position of dishwasher should be near the existing drain outlet and power socket.

One side of the cabinet sink should be chosen to facilitate the connection of drain hoses of the dishwasher.

Positioning The Appliance

Position the appliance in the desired location. The back should rest against the wall behind it, and the sides, along the adjacent cabinets or walls. The dishwasher is equipped with water supply and drain hoses that can be positioned either to the right or the left sides to facilitate proper installation.

Connection Of Drain Hoses



The connection of the drain pipe: Put end of the drain into a sink or bucket.

How to drain excess water from hoses

If the sink is more than 1m higher than the bottom of the dishwasher, the excess water may remain in the drain hose. It is necessary to place a suitable water container outside and lower than the dishwasher. The water container should be at least 6 liters.

Water outlet

Connect the water drain hose. The drain hose must be correctly fitted to avoid water leaks. Ensure that the water drain hose is not kinked or squashed.

Extension hose

If you need a drain hose extension, make sure to use a similar drain hose. It must not be longer than 4 meters, otherwise the cleaning effect of the dishwasher could be reduced.

Starting the Dishwasher

The following things should be checked before starting the dishwasher.

1. The dishwasher is level and fixed properly.
2. The tank is full of water .
3. There is a leakage at the connections of the conducts.
4. The wires are tightly connected.
5. The power is switched on.
6. The drain hoses are knotted.
7. All packing materials and printings should be taken out from the dishwasher.



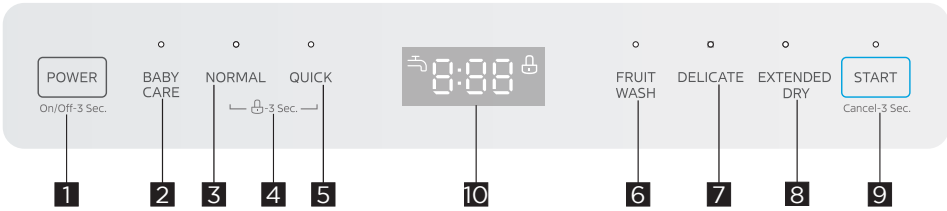
Attention:

After installation, please make sure to keep this manual.

The content of this manual is very helpful to the users.

OPERATION INSTRUCTIONS

Control Panel



NOTE: When the door is closed.

		Description
No.1	POWER	<ul style="list-style-type: none"> Press this button to turn on or turn off the dishwasher.
No.2	BABY CARE	<ul style="list-style-type: none"> For washing baby bottles.
No.3	NORMAL	<ul style="list-style-type: none"> Suitable for washing normally soiled dishes. The energy usage label is based on this cycle. options box with the normal program Extended dry (not recommended for use daily)
No.4	CHILD LOCK	<ul style="list-style-type: none"> This function allows you to lock the buttons on the control panel, so children cannot accidentally start the dishwasher by pressing the buttons on the panel. Only the Power button remains active. To lock or unlock the buttons on the control panel, press and hold the NORMAL button+ QUICK button for 3 seconds simultaneously.
No.5	QUICK	<ul style="list-style-type: none"> Quick cycle is for lightly soiled or well-rinsed dish loads.
No.6	FRUIT WASH	<ul style="list-style-type: none"> Used to clean fruits, vegetables, shells, etc. This program need to set the water level and strength.
No.7	DELICATA	<ul style="list-style-type: none"> Used to clean fruits, vegetables, shells, etc. This program need to set the water level and strength.
No.8	EXTENDED DRY	<ul style="list-style-type: none"> For better drying result. (It can only be used with BABY CARE, NORMAL.)
No.9	START	<ul style="list-style-type: none"> Press the button to start the selected program, or press the button for 3 seconds to cancel the selected program.
No.10	DISPLAY	<ul style="list-style-type: none"> Display the time, function and so on. Water Supply Failure If the “ ” indicator is lit, the water level in the internal tank is low, and needs to be refilled. Child lock When you choose the Child lock button,the corresponding indicator is lit.

Programs

The table below shows which programs are best for the levels of food residue on them and how much detergent is needed. It also show various information about the programs. Consumption values and program duration are only indicative except for the ECO program.

Program	Description Of Cycle	Running Time(min)	Energy (kWh)	Water gal.(L)	Rinse Aid
BABY CARE	Wash (70°C/158°F) Rinse Rinse(72/161°F) Drying	150	0.39	5.0L 1.3gal.	○
NORMAL	Wash (58°C/136°F) Rinse Rinse(70°C/158°F) Drying	145	0.29-0.31	5.0L 1.3gal.	○
QUICK	Wash (50°C/122°F) Rinse Rinse	40	0.11	5.0L 1.3gal.	○
FRUIT WASH	Wash	20	0.01	5.0L 1.3gal.	○
DELICATE	Wash (50°C/122°F) Rinse Rinse (62°C/143°F) Drying	120	0.21	5.0L 1.3gal.	○

Preparing And Loading Dishes

Consider buying utensils which are identified as dishwasher-proof.

For particular items, select a program with the lowest possible temperature.

To prevent damage, do not take glass and cutlery out of the dishwasher immediately after the program has ended.

For washing the following cutlery/dishes

Are not suitable

Cutlery with wooden, horn china or mother-of-pearl handles

Plastic items that are not heat resistant

Older cutlery with glued parts that are not temperature resistant

Bonded cutlery items or dishes

Pewter or cooper items

Crystal glass

Steel items subject to rusting

Wooden platters

Items made from synthetic fibres

Are of limited suitability

Some types of glasses can become dull after a large number of washes

Silver and aluminum parts have a tendency to discolor during washing

Glazed patterns may fade if machine washed frequently

Recommendations for loading the dishwasher

Scrape off any large amounts of leftover food. Soften remnants of burnt food in

pans. It is not necessary to rinse the dishes under running water.

For best performance of the dishwasher, follow these loading guidelines.

(Features and appearance of baskets and cutlery baskets may vary from your model.)

Place objects in the dishwasher in the following way:

Items such as cups, glasses, pots, pans, etc. must face downwards.

Curved items, or ones with recesses, should be loaded aslant so that water can run off.

All utensils are stacked securely and can not tip over.

All utensils are placed in the way that the spray arms can rotate freely during washing.

Load hollow items such as cups, glasses, pans etc. With the opening facing downwards so that water cannot collect in the container or a deep base.

Dishes and items of cutlery must not lie inside one another, or cover each other.

To avoid damage, glasses should not touch one another.

Long bladed knives stored in an upright position are a potential hazard!

Long and sharp items of cutlery such as carving knives must be positioned

Please do not overload your dishwasher. This is important for good results and for reasonable consumption of energy.

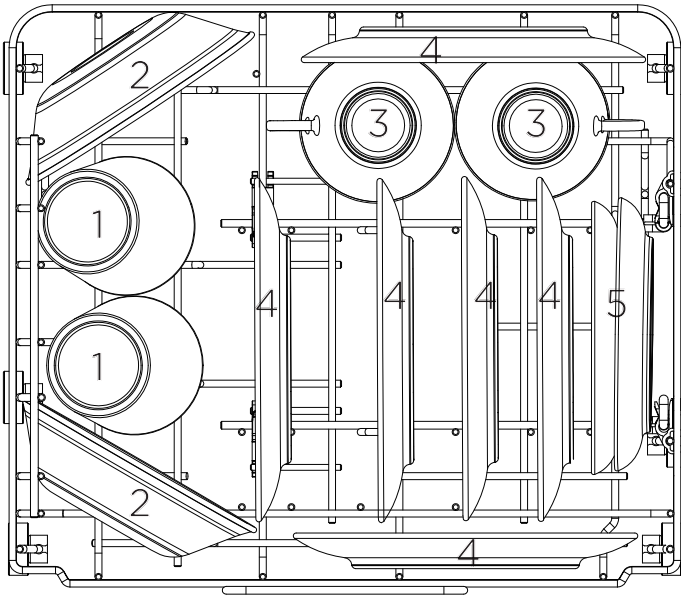
NOTE

Very small items should not be washed in the dishwasher as they could easily fall out of the basket.

LOADING THE BASKETS

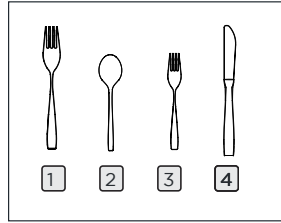
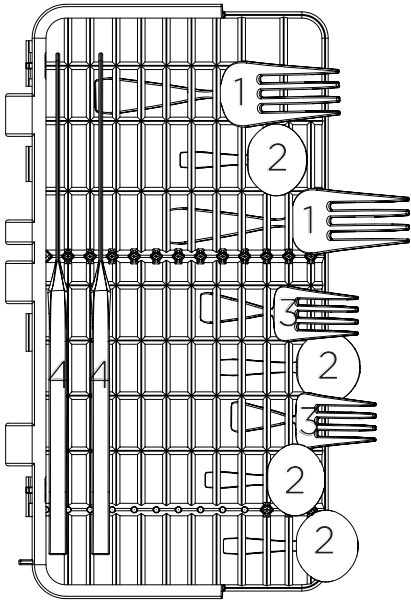
Loading the basket (2 place setting)

Position the dishes and cookware so that they will not get moved by the spray of water. Recommended loading layouts below



Number	Item
1	Ice tea glasses
2	Fruit bowls
3	Cups
4	Bread and butter plates
5	Saucers

Loading the cutlery basket



Number	Item
1	Dinner forks
2	Teaspoons
3	Salad forks
4	Knife-solid handles

⚠ WARNING



Do not let any item extend through the bottom. Always load sharp utensils with the sharp point down! Be sure nothing protrudes through bottom of the basket or rack to block the lower spray.

⚠ WARNING



Items will be hot! To prevent damage, do not take glass and cutlery out of the dishwasher for around 15 minutes after the program has ended.

Function Of The Rinse Aid And Detergent

The rinse aid is released during the final rinse to prevent water from forming droplets on your dishes, which can leave spots and streaks. It also improves drying by allowing water to roll off the dishes. Your dishwasher is designed to use liquid rinse aids.

⚠ WARNING

Only use branded rinse aid for dishwasher. Never fill the rinse aid dispenser with any other substances (e.g. Dishwasher cleaning agent, liquid detergent). This would damage the appliance.

Function of detergent

The chemical ingredients that compose the detergent are necessary to remove, crush and dispense all dirt out of the dishwasher. Most of the commercial quality detergents are suitable for this purpose.

⚠ WARNING

Proper Use of Detergent

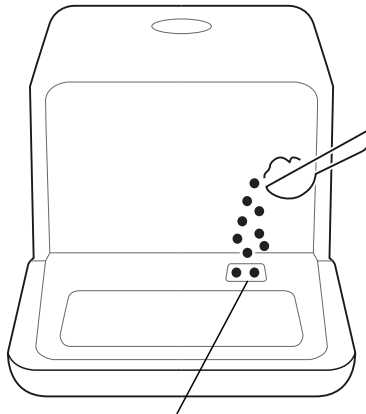
Use only detergent specifically made for dishwashers use. Keep your detergent fresh and dry.

Do not fill detergent into the dispenser until you are ready to start the dishwasher.



Dishwasher detergent is corrosive! Keep dishwasher detergent out of the reach of children.

Adding detergent



The place to add the detergent
(Do not add detergent to wash fruits.)

Starting A Program

1. Pour in the detergent.
2. Insert the plug into the socket. The power supply refer to last page "Product fiche". Make sure that the water supply is turned on to full pressure.
3. Close the door, press the Power button.
4. Choose a program, the response light will turn on. Then, press the Start button, The dishwasher will start its cycle after a few seconds.

Change the Programs

Premise: You can modify the washing program at the beginning of the cycle. Otherwise, the detergent may have already been released, and the appliance may have already drained the wash water, If this is the case, the detergent dispenser must be refilled (see the section entitled "Loading the Detergent") .

To change the washing program, press the Start button to pause the machine, **then press the Start/Pause button more than three seconds to set the machine into standby,**

then you can change the program to the desired cycle setting.
(See the section entitled "Starting a wash cycle")

The lights show the state of the dishwasher:

- a) All phase lights off-----Stand by
- b) The display no blinking -----Paused
- c) The display blinking -----Running

Forgot to Add a Dish?

A forgotten dish can be added any time before the detergent cup opens.

1. Open the door a little to stop the washing.
2. After the spray arms stop working, you can open the door completely.
3. Add forgotten dishes.
4. Close the door.
5. The dishwasher will run after 10 seconds.

CLEANING AND MAINTENANCE

External Care

The door and the door seal

Clean the door seals regularly with a soft damp cloth to remove food deposits. When the dishwasher is being loaded, food and drink residues may drip onto the sides of the dishwasher door. These surfaces are outside the wash cabinet and are not accessed by water from the spray arms. Any deposits should be wiped off before the door is closed.

The control panel

If cleaning is required, the control panel should be wiped with a soft damp cloth only.

⚠ WARNING

To avoid penetration of water into the door lock and electrical components, do not use a spray cleaner of any kind.

Never use abrasive cleaners or scouring pads on the outer surfaces because they may scratch the finish. Some paper towels may also scratch or leave marks on the surface.

Internal Care

Filtering system

The filter efficiently removes food particles from the wash water, allowing it to be recycled during the cycle.

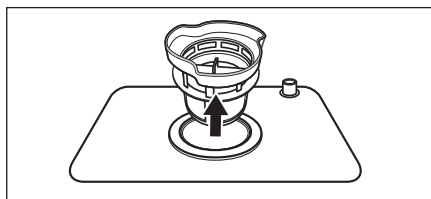
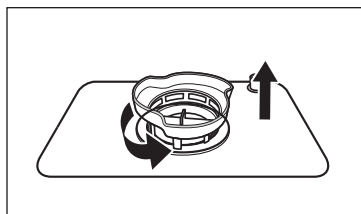
For best performance and results, the filter assembly must be cleaned regularly. For this reason, it is a good idea to remove the larger food particles trapping in the filter after each wash cycle by rinsing the filter and cup under running water. To remove the filter assembly, pull the cup handle in the upward direction.

⚠ WARNING

Pictures are only for reference, different models of the filtering system and spray arms may be different.

1: Contrarotate the filter assembly, then lift it all up.

2: Lift fine filter up from main filter.



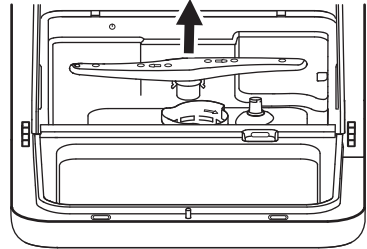
WARNING

Do not over tighten the filters. Put the filters back in sequence securely, otherwise coarse debris could get into the system and cause a blockage. Never use the dishwasher without filters in place. Improper replacement of the filter may reduce the performance level of the appliance and damage dishes and utensils.

Cleaning the Spray Arms

The spray arms can be easily removed for periodic cleaning of the nozzles to prevent possible clogging. Wash them under running water and carefully replace them in their seats, checking that their rotary movement is in no way impeded.

Grasp the middle of the spray arm, pull it upwards to remove it. Wash the arms under a jet of running water and replace it carefully to its seat. After reassembly, check that the spray arms rotate freely. Otherwise, check that they have been installed correctly.



Caring For The Dishwasher

Frost precaution

Please take frost protection measures on the dishwasher in winter. Every time after washing cycles, please operate as follows:

1. Cut off the electrical power to the dishwasher at the supply source.
2. Turn off the water supply and disconnect the water inlet pipe from the water valve.
3. Drain the water from the inlet pipe and water valve. (Use a pan to gather the water)
4. Reconnect the water inlet pipe to the water valve.
5. Remove the filter at the bottom of the tub and use a sponge to soak up water in the sump.

After every wash

After every wash, turn off the water supply to the appliance and leave the door slightly open for a while so that moisture and odors are not trapped inside.

Remove the plug

Before cleaning or performing maintenance, always remove the plug from the socket.

No solvents or abrasive cleaning

To clean the exterior and rubber parts of the dishwasher, do not use solvents or abrasive cleaning products. Only use a cloth with warm soapy water.

To remove spots or stains from the surface of the interior, use a cloth dampened with water and a little vinegar, or a cleaning product made specifically for dishwashers.

When not in use for a long time

It is recommended that you run a wash cycle with the dishwasher empty and then remove the plug from the socket, turn off the water supply and leave the door of the appliance slightly open. This will help the door seals to last longer and prevent odors from forming within the appliance.

Moving the appliance

If the appliance must be moved, try to keep it in the vertical position. If absolutely necessary, it can be positioned on its back.

Seals

One of the factors that cause odours to form in the dishwasher is food that remains trapped in the seals. Periodic cleaning with a damp sponge will prevent this from occurring.

TROUBLESHOOTING

Before Calling For Service

Reviewing the charts on the following pages may save you from calling for service.

Problem	Possible reason	Solution
Dishwasher doesn't start	<ul style="list-style-type: none"> Fuse blown, or the circuit break tripped. 	Replace fuse or reset circuit breaker. Remove any other appliances sharing the same circuit with the dishwasher.
	<ul style="list-style-type: none"> Power supply is not turned on. 	Make sure the dishwasher is turned on and the door is closed securely. Make sure the power cord is properly plugged into the wall socket.
	<ul style="list-style-type: none"> Water pressure is low 	Check that the water supply is connected properly and the water is turned on.
	<ul style="list-style-type: none"> Door of dishwasher not properly closed. 	Make sure to close the door properly and latch it.
Water not pumped from dishwasher	<ul style="list-style-type: none"> Twisted or trapped drain hose. 	Check the drain hose.
	<ul style="list-style-type: none"> Filter clogged. 	Check the filter system.
	<ul style="list-style-type: none"> Kitchen sink clogged. 	Check the kitchen sink to make sure it is draining well. If the problem is the kitchen sink that is not draining , you may need a plumber rather than a serviceman for dishwashers.
Foam in the tub	<ul style="list-style-type: none"> Wrong detergent. 	Use only the special dishwasher detergent to avoid suds. If this occurs, open the dishwasher and let suds evaporate. Add 1 liter of cold water to the bottom of the dishwasher. Close the dishwasher door, then select any cycle. Initially, the dishwasher will drain out the water. Open the door after draining stage is complete and check if the suds have disappeared. Repeat if necessary.
	<ul style="list-style-type: none"> Spilled rinse aid. 	Always wipe up rinse aid spills immediately.
Stained tub interior	<ul style="list-style-type: none"> Detergent with colourant may have been used. 	Make sure that the detergent has no colourant.

Problem	Possible reason	Solution
White film on inside surface	<ul style="list-style-type: none"> Hard water minerals. 	To clean the interior, use a damp sponge with dishwasher detergent and wear rubber gloves. Never use any other cleaner than dishwasher detergent otherwise, it may cause foaming or suds.
There are rust stains on cutlery	<ul style="list-style-type: none"> The affected items are not corrosion resistant. 	Avoid washing items that are not corrosion resistant in the dishwasher.
Knocking noise in the dishwasher	<ul style="list-style-type: none"> A spray arm is knocking against an item in a basket 	Interrupt the program and rearrange the items which are obstructing the spray arm.
Rattling noise in the dishwasher	<ul style="list-style-type: none"> Items of crockery are loose in the dishwasher. 	Interrupt the program and rearrange the items of crockery.
Knocking noise in the water pipes	<ul style="list-style-type: none"> This may be caused by on-site installation or the cross-section of the piping. 	This has no influence on the dishwasher function. If in doubt, contact a qualified plumber.
The dishes are not clean	<ul style="list-style-type: none"> The dishes were not loaded correctly. 	See the “Preparing And Loading Dishes”.
	<ul style="list-style-type: none"> The program was not powerful enough. 	Select a more intensive program.
	<ul style="list-style-type: none"> Not enough detergent was dispensed. 	Use more detergent, or change your detergent.
	<ul style="list-style-type: none"> Items are blocking the movement of the spray arms. 	Rearrange the items so that the spray can rotate freely.
	<ul style="list-style-type: none"> The filter combination is not clean or is not correctly fitted in the base of wash cabinet. This may cause the spray arm jets to get blocked. 	Clean and/or fit the filter correctly. Clean the spray arm jets.
Cloudiness on glassware.	<ul style="list-style-type: none"> Combination of soft water and too much detergent. 	Use less detergent if you have soft water and select a shorter cycle to wash the glassware and to get them clean.
Black or grey marks on dishes	<ul style="list-style-type: none"> Aluminium utensils have rubbed against dishes 	Use a mild abrasive cleaner to eliminate those marks.
Detergent left in dispenser	<ul style="list-style-type: none"> Dishes block detergent dispenser 	Re-loading the dishes properly.

Problem	Possible reason	Solution
The dishes aren't drying	<ul style="list-style-type: none"> • Improper loading 	Use gloves if detergent residue can be found on dishes to avoid skin irritations.
	<ul style="list-style-type: none"> • Too little rinse-aid 	Increase the amount of rinse-aid/refill the rinse-aid dispenser.
	<ul style="list-style-type: none"> • Dishes are removed too soon 	Do not empty your dishwasher immediately after washing. Open the door slightly so that the steam can come out. Take out the dishes until the inside temperature is safe to touch. Unload the lower basket first to prevent the dropping water from the upper basket.
	<ul style="list-style-type: none"> • Wrong program has been selected. 	With a short program, the washing temperature is lower, decreasing cleaning performance. Choose a program with a long washing time.
	<ul style="list-style-type: none"> • Use of cutlery with a low-quality coating. 	Water drainage is more difficult with these items. Cutlery or dishes of this type are not suitable for washing in the dishwasher.

WARNING

Self-repair or non-professional repair may cause serious risks to the safety of the user of the appliance and impact warranty.

ERROR CODES


If there is a malfunction the dishwasher will display an error code. The following table shows possible error codes and their causes.

Code	Meanings	Cause
E1	Longer inlet time.	A flow meter, drain valve, or pump failure, it should be repaired by a qualified worker.
E3	Not reaching required temperature	Heating tube or thermistor anomaly, it should be repaired by a qualified worker.
E4	Overflow.	Some element of dishwasher leaks.
Ed	Communication anomaly	It should be repaired by a qualified worker.

⚠ WARNING

- If overflow occurs, turn off the main water supply before calling a service.
- If there is water in the base pan because of an overflow or small leak, the water should be removed before restarting the dishwasher.
- If there is an error code that cannot be solved, please request professional assistance.

TRADEMARKS, COPYRIGHTS AND LEGAL STATEMENT

 Midea logo, word marks, trade name, trade dress and all versions thereof are valuable assets of Midea Group and/or its affiliates (“Midea”), to which Midea owns trademarks, copyrights and other intellectual property rights, and all goodwill derived from using any part of an Midea trademark. Use of Midea trademark for commercial purposes without the prior written consent of Midea may constitute trademark infringement or unfair competition in violation of relevant laws.

This manual is created by Midea and Midea reserves all copyrights thereof. No entity or individual may use, duplicate, modify, distribute in whole or in part this manual, or bundle or sell with other products without the prior written consent of Midea.

All the described functions and instructions were up to date at the time of printing this manual. However, the actual product may vary due to improved functions and designs.

DISPOSAL AND RECYCLING

Important instructions for environment

Compliance with the WEEE Directive and Disposing of the Waster Product:
This product complies with EU WEEE Directive (2012/19/EU). This product bears a classification symbol for waster electrical and electronic equipment (WEEE).

This symbol indicates that this product shall not be disposed with other household wastes at the end of its service life. Used device must be returned to official collection point for recycling of electrical electronic devices. To find these collection systems please contact to your local authorities or retailer where the product was purchased. Each household performs important role in recovering and recycling of old appliance. Appropriate disposal of used appliance helps prevent potential negative consequences for the environment and human health.

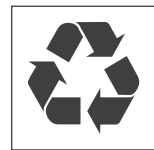


Compliance with RoHS Directive

The product you have purchased complies with EU RoHS Directive (2011/65/EU). It does not contain harmful and prohibited materials specified in the Directive.

Package information

Packaging materials of the product are manufactured from recyclable materials in accordance with our National Environment Regulations. Do not dispose of the packaging materials together with the domestic or other wastes. Take them to the packaging material collection points designated by the local authorities.



DATA PROTECTION NOTICE

For the provision of the services agreed with the customer, we agree to comply without restriction with all stipulations of applicable data protection law, in line with agreed countries within which services to the customer will be delivered, as well as, where applicable, the EU General Data Protection Regulation (GDPR).

Generally, our data processing is to fulfil our obligation under contract with you and for product safety reasons, to safeguard your rights in connection with warranty and product registration questions. In some cases, but only if appropriate data protection is ensured, personal data might be transferred to recipients located outside of the European Economic Area.

Further information are provided on request. You can contact our Data Protection Officer via **MideaDPO@midea.com**. To exercise your rights such as right to object your personal data being processed for direct marketing purposes, please contact us via **MideaDPO@midea.com**. To find further information, please follow the QR Code.

MIDEA DISHWASHER LIMITED WARRANTY

ATTACH YOUR RECEIPT HERE. PROOF OF PURCHASE IS REQUIRED TO OBTAIN WARRANTY SERVICE.

Please have the following information available when you call the Customer Service Center:

- Name, address and telephone number
- Model number and serial number
- A clear, detailed description of the problem
- Proof of purchase including dealer or retailer name and address

IF YOU NEED SERVICE:

1. Before contacting us to arrange service, please determine whether your product requires repair. Some questions can be addressed without service. Please take a few minutes to review the Troubleshooting section of the User Manual, or visit <http://us.Midea.com/support>
2. All warranty service is provided exclusively by our authorized Midea Service Providers, in the U.S. and Canada.

Midea Customer Service

In the U.S.A. or Canada, call 1-866-646-4332.

Monday-Friday 8 am-7 pm EST, Saturday 9 am-4 pm EST.

If outside the 50 States of the United States or Canada, contact your authorized Midea dealer to determine whether another warranty applies.

LIFETIME LIMITED WARRANTY

WHAT IS COVERED

FIRST YEAR LIMITED WARRANTY (PARTS AND LABOR)

For one year from the date of purchase, if this major appliance is installed, operated and maintained according to instructions attached to or furnished with the product, Midea America Corporation (hereafter "Midea") will pay for factory specified replacement parts and repair labor to correct defects in materials or workmanship that existed when this major appliance was purchased, or at its sole discretion replace the product. In the event of product replacement, your appliance will be warranted for the remaining term of the original unit's warranty period.

LIFETIME LIMITED WARRANTY (STAINLESS STEEL TUB AND INNER DOOR LINER ONLY)

For the lifetime of the product from the date of original purchase, when this major appliance is installed, operated and maintained according to instructions attached to or furnished with the product, Midea will pay for factory specified parts and repair labor for the following components to correct non-cosmetic defects in materials or workmanship that existed when this major appliance was purchased:

- Stainless steel tub
- Inner door liner

YOUR SOLE AND EXCLUSIVE REMEDY UNDER THIS LIMITED WARRANTY SHALL BE PRODUCT REPAIR OR REPLACEMENT AS PROVIDED HEREIN. Service must be provided by a Midea designated service company. This limited warranty is valid only in the 50 States of the United States or Canada and applies only when the major appliance is used in the country in which it was purchased. This limited warranty is effective from the date of original consumer purchase. Proof of original purchase date is required to obtain service under this limited warranty.

LIFETIME LIMITED WARRANTY

WHAT IS NOT COVERED

1. Commercial, non-residential or multiple-family use, or use inconsistent with published user, operator or installation instructions.
2. In-home Instruction on how to use your product.
3. Service to correct improper product maintenance or installation, installation not in accordance with electrical or plumbing codes or correction of household electrical or plumbing (i.e. house wiring, fuses, plumbing or water inlet hoses).
4. Consumable parts (i.e. light bulbs, batteries, air or water filters, etc.).
5. Defects or damage caused by the use of non-genuine Midea parts or accessories.
6. Damage from accident, misuse, abuse, fire, floods, electrical issues, acts of God or use with products not approved by Midea.
7. Repairs to parts or systems to correct product damage or defects caused by unauthorized service, alteration or modification of the appliance.
8. Cosmetic damage including scratches, dents, chips, and other damage to appliance finishes unless such damage results from defects in materials and workmanship and is reported to Midea within 30 days.
9. Routine maintenance of the product.
10. Discoloration, rust or oxidation of surfaces resulting from caustic or corrosive environments including but not limited to high salt concentrations, high moisture or humidity or exposure to chemicals.
11. Pick-up or delivery. This product is intended for in-home repair.
12. Travel or transportation expenses for service in remote locations where an authorized Midea servicer is not available.
13. Removal or reinstallation of inaccessible appliances or built-in fixtures (i.e. trim, decorative panels, flooring, cabinetry, islands, countertops, drywall, etc.) that interfere with servicing, removal or replacement of the product.
14. Service or parts for appliances with original model/serial numbers removed, altered or not easily identified.

The cost of repair or replacement under these excluded circumstances shall be borne by the customer.

DISCLAIMER OF IMPLIED WARRANTIES

IMPLIED WARRANTIES, INCLUDING ANY IMPLIED WARRANTY OF MERCHANTABILITY OR IMPLIED WARRANTY OF FITNESS FOR A PARTICULAR PURPOSE, ARE LIMITED TO ONE YEAR OR THE SHORTEST PERIOD ALLOWED BY LAW. Some states and provinces do not allow limitations on the duration of implied warranties of merchantability or fitness, so this limitation may not apply to you. This warranty gives you specific legal rights, and you also may have other rights that vary from state to state or province to province.

DISCLAIMER OF REPRESENTATIONS OUTSIDE OF WARRANTY

Midea makes no representations about the quality, durability, or need for service or repair of this major appliance other than the representations contained in this warranty. If you want a longer or more comprehensive warranty than the limited warranty that comes with this major appliance, you should ask Midea or your retailer about buying an extended warranty.

LIMITATION OF REMEDIES; EXCLUSION OF INCIDENTAL AND CONSEQUENTIAL DAMAGES

YOUR SOLE AND EXCLUSIVE REMEDY UNDER THIS LIMITED WARRANTY SHALL BE PRODUCT REPAIR AS PROVIDED HEREIN. MIDEA SHALL NOT BE LIABLE FOR INCIDENTAL OR CONSEQUENTIAL DAMAGES. Some states and provinces do not allow the exclusion or limitation of incidental or consequential damages, so these limitations and exclusions may not apply to you. This warranty gives you specific legal rights, and you also may have other rights that vary from state to state or province to province.



make yourself at home

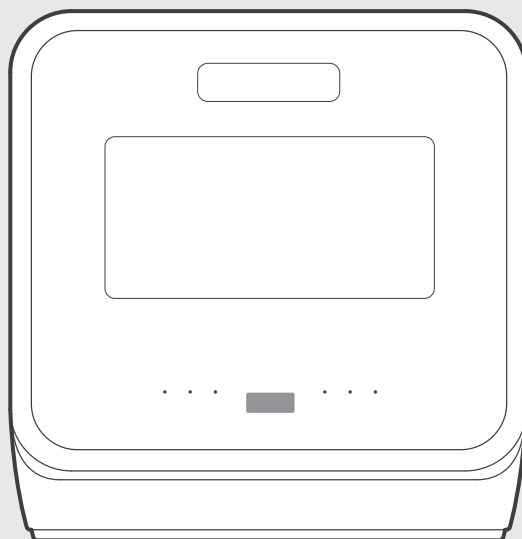


www.midea.com

5mm

0000-0000-0000-0000-0000

7mm

The Midea logo, consisting of a stylized 'M' inside a circle followed by the word 'Midea' in a sans-serif font.

Lave-vaisselle

GUIDE D'UTILISATION

MDC17P4CWW

Avertissements : Avant d'utiliser ce produit, veuillez lire attentivement ce guide et le garder pour une référence future. La conception et les spécifications sont sujettes à modification sans préavis aux fins d'améliorer le produit.

Contactez votre le revendeur ou le fabricant pour en savoir plus.

Le schéma ci-dessus est fourni à titre de référence. Veuillez considérer l'apparence du produit réel comme référence.

LETTRE DE REMERCIEMENT

Nous vous remercions d'avoir choisi Midea ! Avant d'utiliser votre nouvel appareil Midea, veuillez lire attentivement ce manuel afin de vous assurer que vous savez comment utiliser les fonctionnalités et les fonctions offertes par cet appareil en toute sécurité.

SOMMAIRE

LETTRE DE REMERCIEMENT	01
CONSIGNES DE SÉCURITÉ	02
SPÉCIFICATIONS	07
APERÇU DU PRODUIT	08
GUIDE DE DÉMARRAGE RAPIDE	09
INSTALLATION DU PRODUIT	11
CONSIGNES DE FONCTIONNEMENT	14
NETTOYAGE ET ENTRETIEN	21
DÉPANNAGE	24
MARQUES, DROITS D'AUTEUR ET DÉCLARATION LÉGALE	28
ÉLIMINATION ET RECYCLAGE	29
AVIS SUR LA PROTECTION DES DONNÉES	30
GARANTIE	31

CONSIGNES DE SÉCURITÉ

VOTRE SÉCURITÉ ET CELLE DES AUTRES SONT D'UNE GRANDE IMPORTANCE

Ces instructions doivent être suivies afin d'éviter les risques de blessure pour l'utilisateur ou d'autres personnes et tout dommage matériel. Une utilisation incorrecte due au non-respect des instructions peut causer des dommages, y compris la mort. Le niveau de risque est indiqué par les indications suivantes.



AVERTISSEMENT

Ce symbole indique une condition qui peut entraîner la mort ou des blessures graves.



MISE EN GARDE

Ce symbole indique la possibilité de blessures ou de dommages matériels.



AVERTISSEMENT

Ce symbole indique la possibilité d'une tension dangereuse constituant un risque de choc électrique pouvant entraîner la mort ou des blessures graves.



AVERTISSEMENT/INSTRUCTIONS DE MISE À LA TERRE

Une mauvaise connexion du conducteur de mise à la terre de l'appareil peut entraîner un risque d'électrocution. Consultez un électricien qualifié ou un représentant du service après-vente si vous avez des doutes quant à la bonne mise à la terre de l'appareil. Ne modifiez pas la fiche fournie avec l'appareil. Si la fiche ne correspond pas à la prise, faire installer une prise adéquate par un électricien qualifié.

Pour un appareil équipé d'un cordon doté d'un conducteur de mise à la terre :

Cet appareil doit être mis à la terre. En cas de dysfonctionnement ou de panne, la mise à la terre réduira le risque d'électrocution en fournissant un chemin de moindre résistance au courant électrique. Sicet appareil est équipé d'un cordon muni d'un conducteur de mise à la terre et d'une fiche de mise à la terre, la fiche doit être branchée à une prise de courant appropriée

Pour un appareil branché en permanence :

Cet appareil doit être connecté à un système de câblage métallique permanent mis à la terre, ou un conducteur de mise à la terre de l'équipement doit être installé entre les conducteurs du circuit et connecté à la borne ou au fil de mise à la terre présent sur l'appareil.



AVERTISSEMENT

Lorsque vous utilisez votre lave-vaisselle, respectez les précautions de base, notamment :

- Lisez toutes les instructions avant d'utiliser le lave-vaisselle.
- N'utilisez le lave-vaisselle que pour la fonction pour laquelle il a été conçu.
- N'utilisez que des détergents ou des agents de rinçage recommandés pour lave-vaisselle et gardez-les hors de portée des enfants.
- Lors du chargement des objets à laver :
 - Disposez les ustensiles tranchants de manière à ce qu'ils ne puissent pas endommager le joint de la porte.
 - Placez les couteaux tranchants avec les poignées orientées vers le haut pour réduire le risque de blessures par coupure.
- Ne lavez pas les articles en plastique s'ils ne portent pas la mention « Peut passer au lave-vaisselle » ou une mention équivalente. Pour les articles en plastique ne portant pas cette indication, vérifiez les recommandations du fabricant.
- Les articles qui ne vont pas au lave-vaisselle pourraient fondre et créer un risque d'incendie potentiel.
- Ne touchez pas l'élément chauffant pendant ou immédiatement après l'utilisation.
- Ne faites pas fonctionner votre lave-vaisselle à moins que tous les panneaux de l'enceinte ne soient correctement en place.

- N'altérez pas les commandes.
- Ne malmenez pas, ne vous asseyez pas et ne vous tenez pas debout sur la porte ou les paniers à vaisselle.
- Pour réduire le risque de blessures, ne laissez pas les enfants jouer dans ou sur un lave-vaisselle.
- Dans certaines conditions, de l'hydrogène gazeux peut être produit dans un système d'eau chaude qui n'a pas été utilisé pendant deux semaines ou plus. LE GAZ HYDROGÈNE EST EXPLOSIF. Si le système d'eau chaude n'a pas été utilisé pendant une telle période, avant d'utiliser le lave-vaisselle, ouvrez tous les robinets d'eau chaude et laissez couler l'eau de chacun d'eux pendant plusieurs minutes. Cette opération permet de libérer l'hydrogène accumulé. Le gaz étant inflammable, ne fumez pas et n'utilisez pas de flamme nue pendant cette période.
- Des dommages graves au produit et/ou des blessures peuvent résulter de l'utilisation de techniciens de service non qualifiés ou de pièces de rechange non originales. Toutes les réparations doivent être effectuées par un technicien de service qualifié en utilisant uniquement des pièces de rechange d'origine.
- Ne stockez pas et n'utilisez pas de matériaux combustibles, d'essence ou autres vapeurs et liquides inflammables à proximité de cet appareil ou de tout autre appareil.
- Gardez les jeunes enfants et les nourrissons à l'écart du lave-vaisselle lorsqu'il fonctionne.
- N'utilisez pas le lave-vaisselle si son cordon électrique ou sa fiche sont endommagés, et ne branchez pas le lave-vaisselle dans une prise endommagée. Le non-respect des instructions fournies dans ce manuel pourrait entraîner la mort ou une électrocution.
- Ce manuel ne couvre pas toutes les conditions ou situations possibles qui peuvent se produire.
- Retirez la porte du compartiment de lavage lorsque vous mettez un ancien lave-vaisselle hors service ou au rebut.

CONSERVEZ CES INSTRUCTIONS

CET APPAREIL EST EXCLUSIVEMENT DESTINÉ À UN USAGE DOMESTIQUE


AVERTISSEMENT



Danger de basculement

- N'utilisez pas le lave-vaisselle tant que son installation n'est pas totalement terminée.
- N'appuyez pas sur la porte ouverte.
- Cela pourrait entraîner des blessures graves ou des coupures.

Avertissements sur la proposition 65 de l'État de la Californie :

 **AVERTISSEMENT** : Cancer et problèmes de reproduction
-www.P65Warnings.ca.gov.

MISE EN GARDE

- N'utilisez jamais de produits chimiques agressifs pour nettoyer votre lave-vaisselle. Certains produits contenant du chlore peuvent endommager votre lave-vaisselle et présenter des risques pour la santé !
- N'utilisez jamais de produits de nettoyage à la vapeur pour nettoyer votre lave-vaisselle. Le fabricant ne pourra pas être tenu pour responsable des dommages ou conséquences éventuels.
- Pour éviter d'endommager le lave-vaisselle, ne pas utiliser de produits chimiques agressifs, de nettoyeurs abrasifs, de tampons à récurer (en métal ou en plastique) ou de chiffons abrasifs ou d'essuie-tout pour nettoyer le panneau de porte extérieur de votre lave-vaisselle. Le panneau de la porte extérieur de votre lave-vaisselle peut être endommagé en procédant ainsi.
- Il est fortement recommandé à l'utilisateur de se familiariser avec la procédure de coupure de l'alimentation en eau et la procédure de coupure de l'alimentation électrique. Consultez les instructions d'installation ou contactez votre installateur pour obtenir plus d'informations.
- Si l'écoulement du lave-vaisselle se fait via un broyeur d'aliments, assurez-vous que le broyeur est complètement vide avant de faire fonctionner le lave-vaisselle.
- Les lave-vaisselle résidentiels certifiés NSF/ANSI 184 ne sont pas destinés aux établissements alimentaires agréés.
- Protégez votre lave-vaisselle contre les éléments. Protégez-le contre le gel pour éviter d'endommager la vanne de remplissage. Les dommages causés par le gel ne sont pas couverts par la garantie.
- Cet appareil ne doit pas être utilisé à l'extérieur.

EXIGENCES DE FONCTIONNEMENT

EXIGENCES ÉLECTRIQUES

AVERTISSEMENT

Risque d'électrocution

- Lave-vaisselle électrique avec mise à la terre.
- Connectez le fil de terre à la borne de mise à la terre verte dans le bornier.
- N'utilisez pas de rallonge.
- Le non-respect de ces instructions peut entraîner la mort, un incendie ou une décharge électrique.

Ce lave-vaisselle est conçu pour fonctionner sur une alimentation électrique individuelle à fusible de 120 V, 60 Hz, 15 ou 20 ampères, correctement câblée et uniquement en fil de cuivre. Il est recommandé d'utiliser un fusible temporisé ou un disjoncteur et de prévoir un circuit séparé desservant uniquement cet appareil. Si une prise est utilisée, la prise doit être placée dans une armoire adjacente.

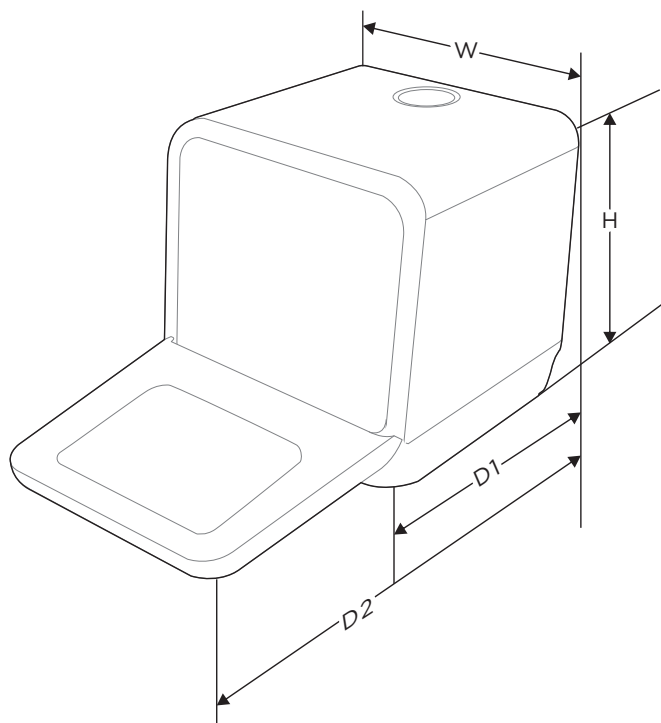
EXIGENCES EN MATIÈRE D'EMPLACEMENT

- Installez le lave-vaisselle là où il sera protégé des éléments. Protégez-le contre le gel pour éviter une rupture de la vanne de remplissage. De telles ruptures ne sont pas couvertes par la garantie. Pour plus d'informations sur le rangement hivernal, veuillez consulter la section « rangement » dans la section « Entretien du lave-vaisselle ».
- Installez et mettez à niveau le lave-vaisselle sur un sol qui supportera son poids et dans une zone adaptée à sa taille et à son utilisation.

EXIGENCES EN MATIÈRE D'APPROVISIONNEMENT EN EAU

- La température de l'alimentation en eau doit être de 120 à 150 °F (49 à 66 °C).
- L'alimentation en eau doit maintenir une pression d'eau comprise entre 20 et 80 psi pour assurer un débit suffisant.

SPÉCIFICATIONS



Hauteur (H)	44,5 cm
Largeur (W)	42,2 cm
Profondeur (D1)	44,5 cm (avec la porte ouverte fermée)
Profondeur (D2)	75,2 cm (avec la porte ouverte à 90°)

Fiche produit

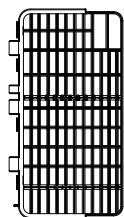
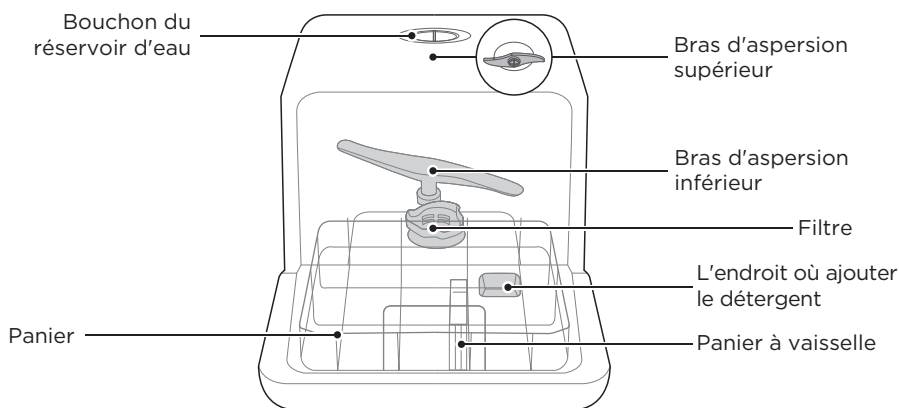
Service de table standard	2
Tension/fréquence nominale	120 V CA -, 60 Hz

APERÇU DU PRODUIT

Produit

● IMPORTANT

Pour obtenir les meilleures performances de votre lave-vaisselle, veuillez lire entièrement le guide d'utilisation avant de l'utiliser pour la première fois.



● REMARQUE

Les photos ne sont fournies qu'à titre indicatif, les modèles peuvent être différents.

GUIDE DE DÉMARRAGE RAPIDE

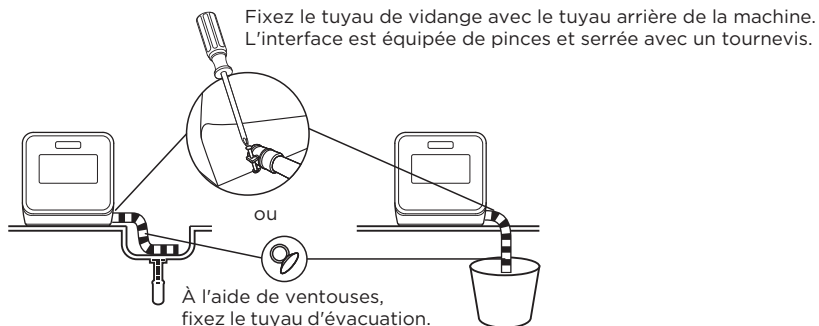
Pour connaître le mode d'emploi en détail, veuillez lire le contenu correspondant dans le manuel d'utilisation.

1. Connecté à l'alimentation électrique.

L'alimentation électrique est de 120 V CA 60 Hz.

La spécification de la prise est un circuit de 10 Amp.

Raccordement du tuyau de vidange : Insérer solidement l'extrémité du tuyau de vidange dans un évier ou un seau approprié.

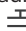



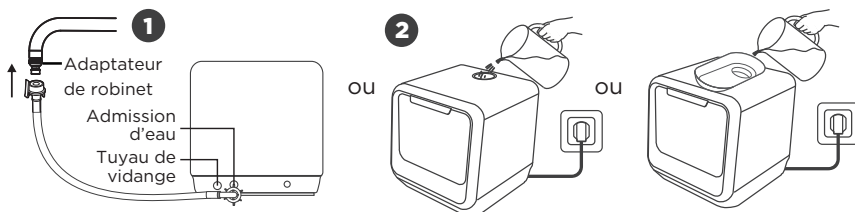
2. Ajouter de l'eau dans le réservoir du lave-vaisselle

Remarque : Avant d'ajouter de l'eau, vous devez appuyer sur le bouton d'alimentation pour mettre le lave-vaisselle en marche.

Il existe deux façons d'ajouter de l'eau dans le réservoir :

- 1 Ajoutez automatiquement de l'eau dans le réservoir en raccordant le tuyau d'arrivée au robinet.
- 2 Ouvrez le bouchon et ajoutez lentement de l'eau dans le réservoir manuellement à l'aide d'un récipient d'eau.

Le symbole du robinet d'eau  s'allume s'il n'y a pas assez d'eau dans le réservoir. Ajoutez de l'eau jusqu'à ce que l'appareil émette un bip rapide pendant 3 secondes et que  s'éteigne, ce qui signifie que le réservoir est rempli.



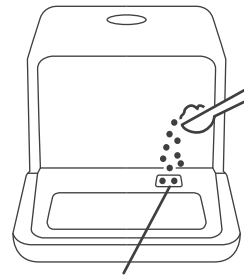
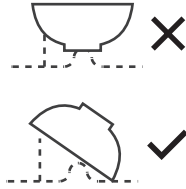
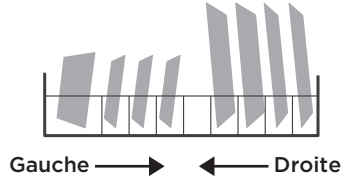
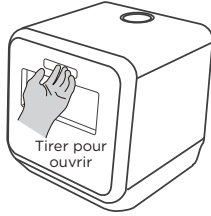
3. Enlever les résidus les plus importants

Veillez enlever les résidus les plus importants avant de placer la vaisselle.



4. Ouvrir la porte, placer la vaisselle et ajouter le détergent

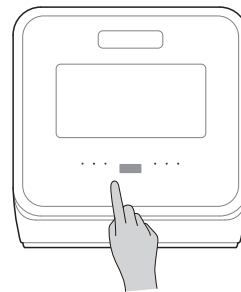
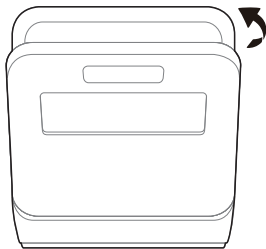
Placez la vaisselle par ordre de taille et en allant des deux côtés vers le milieu. Il est conseillé d'incliner tous les couverts afin d'améliorer les performances de nettoyage. Une mauvaise disposition de la vaisselle bloquera le bras et cela pourrait réduire l'effet de nettoyage.



Ne pas placer les couverts dans le bon sens pourrait nuire à la performance du nettoyage. Essayez de laisser la face sale vers le bras gicleur.

L'endroit où ajouter le détergent (N'ajoutez pas de détergent pour laver les fruits)

5. Veuillez fermer la porte, sélectionner le programme approprié, puis démarrer le lave-vaisselle.



INSTALLATION DU PRODUIT

⚠ AVERTISSEMENT



Risque d'électrocution

Il faut couper l'alimentation électrique avant d'installer le lave-vaisselle.

Le non-respect de cette consigne peut entraîner la mort ou une électrocution.

⚠ Attention

L'installation des tuyaux et équipements électriques doit être effectuée par des professionnels.

À propos du branchement électrique

⚠ AVERTISSEMENT

Pour la sécurité personnelle :

Il ne faut pas utiliser de rallonge ou d'adaptateur de prise avec cette machine.

Il ne faut jamais couper ou enlever la broche de mise à la terre du cordon d'alimentation.

Exigences électriques

Il faut consulter la plaque signalétique pour connaître la tension nominale et brancher le lave-vaisselle à une alimentation électrique appropriée. Utilisez un fusible requis de 10 A/13 A/16 A, un fusible temporisé ou un disjoncteur recommandé et prévoyez un circuit dédié pour cette machine.

Branchement électrique

Assurez-vous que la tension et la fréquence de l'alimentation correspondent à celles indiquées sur la plaque signalétique. La fiche doit être branchée uniquement dans une prise électrique correctement mise à la terre.

Si la prise électrique à laquelle la machine doit être branchée n'est pas adaptée à la fiche, il faut remplacer la prise plutôt que d'utiliser un adaptateur ou quelque chose de similaire qui pourrait provoquer une surchauffe et des brûlures.

⚠ Il faut assurer une mise à la terre appropriée existe avant utilisation

Préparation de l'installation

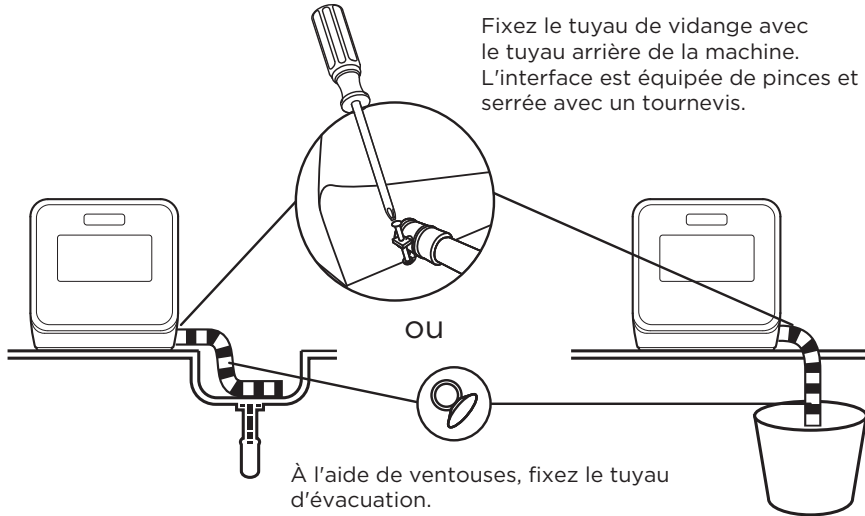
La position d'installation du lave-vaisselle doit être proche d'un robinet d'arrivée d'eau existant, d'une sortie d'évacuation et d'une prise électrique.

Il convient de choisir l'un des côtés de l'évier du meuble pour faciliter le raccordement des tuyaux d'évacuation du lave-vaisselle.

Positionnement de l'appareil

Placez l'appareil à l'endroit souhaité. L'arrière de l'appareil doit être placé contre le mur arrière et les côtés contre les armoires ou les murs adjacents. Le lave-vaisselle est équipé de tuyaux d'alimentation et de vidange d'eau qui peuvent être installés à droite ou à gauche afin de faciliter un positionnement correct.

Raccordement des tuyaux de vidange



Le raccordement du tuyau d'évacuation : Placez l'extrémité du tuyau d'évacuation dans un évier ou un seau.

Comment vidanger l'eau restant dans les tuyaux

Si l'évier se trouve à plus d'un mètre de hauteur par rapport à la base du lave-vaisselle, l'excédent d'eau peut rester dans le tuyau d'évacuation. Il est nécessaire de placer un récipient d'eau approprié à l'extérieur et plus bas que le lave-vaisselle. Le récipient doit avoir une contenance d'au moins 6 litres.

Évacuation de l'eau

Raccordez le tuyau de vidange de l'eau. Le tuyau d'évacuation doit être correctement raccordé pour éviter les fuites d'eau. Veillez à ce que le tuyau de vidange d'eau ne soit ni plié ni écrasé.

Tuyau de rallonge

Si vous avez besoin d'une rallonge du tuyau de vidange, assurez-vous d'utiliser un tuyau de vidange de même type.

Sa longueur ne doit pas dépasser quatre (4) mètres, sinon le nettoyage du lave-vaisselle risque de ne pas être optimal.

Mise en route du lave-vaisselle

Les points suivants doivent être vérifiés avant de mettre le lave-vaisselle en marche.

1. Le lave-vaisselle est mis à niveau et fixé correctement.
2. Le réservoir est plein d'eau.
3. Il y a une fuite au niveau des raccords des conduites.
4. Les fils sont bien connectés.
5. L'appareil est sous tension.
6. Les tuyaux de vidange ont des nœuds.
7. Tous les matériaux d'emballage et les impressions doivent être retirés du lave-vaisselle.



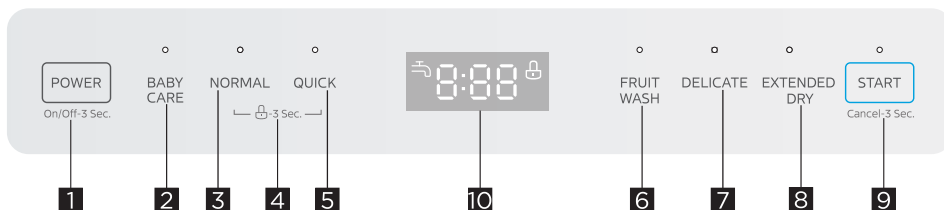
Attention :

Après l'installation, veuillez à conserver ce manuel.

Le contenu de ce manuel est très utile aux utilisateurs.

CONSIGNES DE FONCTIONNEMENT

Panneau de commande



REMARQUE : Quand la porte est fermée.

		Description
N°1	POWER	• Appuyez ce bouton pour allumer ou éteindre le lave-vaisselle.
N°2	BABY CARE	• Pour le lavage des biberons.
N°3	NORMAL	• Convient pour laver la vaisselle normalement sale. L'étiquette de consommation d'énergie est basée sur ce cycle. Boîte d'options avec le programme normal Extended dry (déconseillé pour une utilisation quotidienne)
N°4	SÉCURITÉ ENFANT	• Cette fonction permet de verrouiller les boutons du panneau de commande, de sorte que les enfants ne puissent pas démarrer accidentellement le lave-vaisselle en appuyant sur les boutons du panneau. Seul le bouton d'alimentation reste actif. Pour verrouiller ou déverrouiller les boutons du panneau de commande, appuyez simultanément sur les boutons NORMAL et QUICK pendant 3 secondes.
N°5	QUICK	• Le cycle rapide est destiné à la vaisselle peu sale ou bien rincée.
N°6	FRUIT WASH	• Utilisé pour nettoyer les fruits, les légumes, les coquillages, etc. Ce programme doit définir le niveau et la force de l'eau.
N°7	DELICATE	• Utilisé pour nettoyer les fruits, les légumes, les coquillages, etc. Ce programme doit définir le niveau et la force de l'eau.
N°8	EXTENDED DRY	• Pour un meilleur résultat de séchage. (Il ne peut être utilisé qu'avec BABY CARE, NORMAL.)
N°9	START	• Appuyez sur ce bouton pour démarrer le programme sélectionné, ou appuyez dessus pendant 3 secondes pour annuler le programme sélectionné.
N°10	Écran	<ul style="list-style-type: none"> • Affichee l'heure, la fonction, etc. • Défaillance en matière d'approvisionnement en eau • Si le voyant «» est allumé, le niveau d'eau dans le réservoir interne est bas, par conséquent doit être rechargé. • Sécurité enfant Lorsque vous choisissez le bouton Verrouillage enfant, le voyant correspondant est allumé.

Programs

Le tableau ci-dessous indique les programmes appropriés en fonction des niveaux de résidus alimentaires et de la quantité de détergent nécessaire. Il affiche également diverses informations relatives aux programmes. Les valeurs de consommation et la durée des programmes sont données à titre indicatif, sauf pour le programme « ÉCO ».

Programme	Description du cycle	Durée de fonctionnement (min)	Énergie (kWh)	Eau en L	Produit de rinçage
BABY CARE	Wash(70 °C/158°F) Rinçage Rinse(72 °C/161°F) Séchage	150	0,39	5,0 L 1,3 gal.	○
NORMAL	Wash(58 °C/136°F) Rinçage Rinse(70°C/158°F) Séchage	145	0,29-0,31	5,0 L 1,3 gal.	○
QUICK	Wash(50°C/122°F) Rinçage Rinçage	40	0,11	5,0 L 1,3 gal.	○
FRUIT WASH	Laver	20	0,01	5,0 L 1,3 gal.	○
DELICATE	Wash(50°C/122°F) Rinçage Rinse(62°C/143°F) Séchage	120	0,21	5,0 L 1,3 gal.	○

Préparation et chargement de la vaisselle

Pensez à acheter des articles qui résistent au lave-vaisselle.

Pour les articles fragiles, sélectionnez un programme fonctionnant à la température la plus basse possible.

Pour éviter tout dommage, ne sortez pas le verre et les couverts du lave-vaisselle immédiatement après la fin du programme.

Pour le lavage des couverts / plats suivants

Ne sont pas lavables au lave-vaisselle

Les couverts à anse en bois, en porcelaine ou en nacre

Articles en plastique qui ne résistent pas à la chaleur

Couverts plus anciens avec des parties collées qui ne résistent pas à la température

Couverts ou plats collés

Les articles en étain ou en cuivre

Verre en cristal

Articles en acier susceptibles d'être attaqués par la rouille

Les plateaux en bois

Les articles en fibres synthétiques

Sont adaptés de manière limitée

Certains types de verres peuvent devenir ternes après un grand nombre de lavages

Les pièces en argent et en aluminium ont tendance à se décolorer au lavage

Les motifs émaillés peuvent s'estomper en cas de lavage fréquent en machine

Recommandations pour le chargement du lave-vaisselle

Grattez les grandes quantités de restes de nourriture. Ramollissez les restes d'aliments brûlés dans les casseroles. Il n'est pas nécessaire de rincer la vaisselle sous le robinet.

Pour un fonctionnement optimal du lave-vaisselle, respectez les consignes de chargement suivantes.

(Les caractéristiques et l'aspect des paniers et des paniers à couverts peuvent varier d'un modèle à l'autre.)

Placez les objets dans le lave-vaisselle de la manière suivante :

Les articles tels que les tasses, les verres, les casseroles, etc. doivent être placés face vers le bas.

Les articles incurvés ou comportant des évidements doivent être chargés en biais afin que l'eau puisse s'écouler. Tous les articles sont empilés de manière sûre et ne peuvent pas se renverser.

Tous les articles sont placés de manière à ce que les bras d'aspersion puissent tourner librement pendant le lavage. Chargez les objets creux tels que les tasses, les verres, les casseroles, etc. en orientant l'ouverture vers le bas, afin que l'eau ne s'accumule pas dans le récipient ou dans un fond profond.

La vaisselle et les couverts ne doivent pas être imbriqués les uns dans les autres, ni se recouvrir les uns les autres.

Pour prévenir les dommages, les verres ne doivent pas se toucher.

Les couteaux à lame longue rangés en position verticale constituent un danger potentiel !

Les articles longs et tranchants du couvert, tels que les couteaux à découper, doivent être positionnés.

Ne surchargez pas votre lave-vaisselle. Ceci est important pour obtenir de bons résultats et pour une consommation raisonnable d'énergie.

REMARQUE

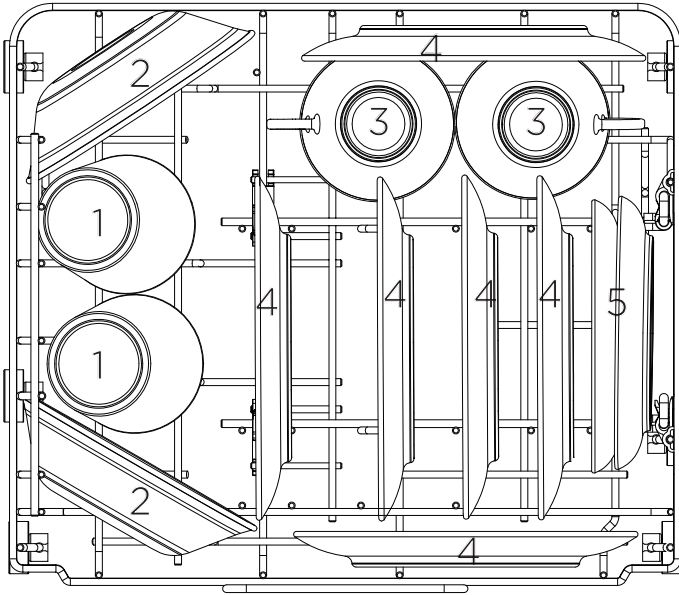
Les très petits objets ne doivent pas être lavés au lave-vaisselle, car ils pourraient facilement tomber du panier.

CHARGEMENT DES PANIERS

Chargement du panier (2 couverts)

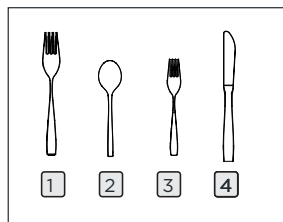
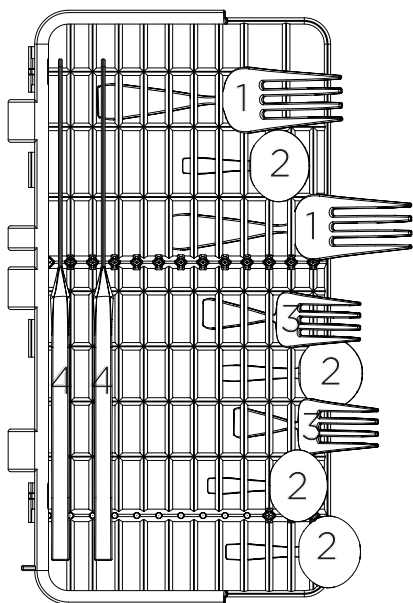
Placez la vaisselle et les ustensiles de cuisine de manière à ce qu'ils ne soient pas bousculés par le jet d'eau.

Dispositions de chargement recommandées ci-dessous



Numéro	Ustensile
1	Verres à thé glacé
2	Coupes à fruits
3	Tasses
4	Assiettes à pain et à beurre
5	Soucoupes

Chargement du panier à couverts



Numéro	Ustensile
1	Fourchettes à diner
2	Cuillères à café
3	Fourchettes à salade
4	Manches des couteaux

⚠ AVERTISSEMENT



Ne laissez aucun ustensile dépasser du bas.
Chargez toujours les ustensiles tranchants avec la pointe vers le bas !
Veillez à ce que rien ne dépasse du fond du panier ou de la grille et ne bloque le jet inférieur.

⚠ AVERTISSEMENT



Les ustensiles seront chauds ! Pour éviter tout dommage, ne sortez pas le verre et les couverts du lave-vaisselle pendant environ 15 minutes après la fin du programme.

Fonction du produit de rinçage et du détergent

Le produit de rinçage est libéré lors de la phase de rinçage final pour éviter que l'eau ne forme des gouttelettes sur votre vaisselle, ce qui peut laisser des taches et des traces. Il améliore également le séchage en permettant à l'eau de mieux glisser sur la vaisselle. Votre lave-vaisselle est conçu pour fonctionner avec du produit de rinçage liquide.

⚠ AVERTISSEMENT

Utilisez uniquement les produits de rinçage de marque pour lave-vaisselle. Ne mettez jamais dans le distributeur de produit de rinçage d'autres substances (par ex., produit de nettoyage pour lave-vaisselle, détergent liquide). Cela pourrait endommager la machine.

Fonction du détergent

Les ingrédients chimiques qui composent le détergent sont nécessaires à l'enlèvement, à l'élimination et à l'évacuation de toutes les saletés du lave-vaisselle. La majorité des détergents de qualité commerciale conviennent à cette fin.

⚠ AVERTISSEMENT

Utilisation appropriée du détergent

Utilisez uniquement des détergents spécialement conçus pour les lave-vaisselles.

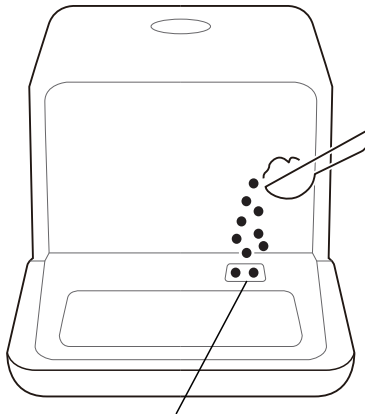
Il faut que le détergent soit frais et sec.

Ne remplissez pas le distributeur de détergent avant de mettre le lave-vaisselle en marche.



Le détergent à vaisselle est corrosif ! À garder hors de la portée des enfants.

Ajout de détergent



La zone réservée à l'ajout du détergent
(N'ajoutez pas de détergent pour laver
les fruits.)

Démarrer un programme

1. Versez le détergent.
2. Insérez la fiche dans la prise de courant. L'alimentation électrique est indiquée à la dernière page de la « fiche produit ». Assurez-vous que le robinet d'arrivée d'eau est ouvert à pleine pression.
3. Ouvrez la porte, puis appuyez sur le bouton POWER.
4. Choisissez un programme, le voyant correspondant s'allume. Ensuite, appuyez sur le bouton Start, le lave-vaisselle commencera son cycle après quelques secondes.

Changer les programmes

Prémisse : Vous pouvez modifier le programme de lavage au début du cycle. Dans le cas contraire, il se peut que le détergent ait déjà été libéré et que l'appareil ait déjà évacué l'eau de lavage. Si tel est le cas, le distributeur de détergent doit être rempli à nouveau (voir la section intitulée « Chargement du détergent »).

Pour modifier le programme de lavage, appuyez sur la touche Start pour mettre la machine en pause, puis appuyez sur la touche Start/Pause pendant plus de trois secondes pour mettre la machine en veille, puis vous pouvez modifier le programme en fonction du cycle souhaité.
(voir la section intitulée « Démarrage d'un cycle de lavage ».)

Les voyants indiquent l'état du lave-vaisselle :

- a) Tous les feux de phase sont off (éteints)-----En attente
- b) L'écran ne clignote pas-----En pause
- c) L'écran clignote -----Fonctionnement

Avez-vous oublié d'ajouter de la vaisselle ?

Un plat oublié peut être ajouté à tout moment avant que le godet à détergent ne s'ouvre.

1. Ouvrez légèrement la porte pour arrêter le lavage.
2. Une fois que les bras d'aspersion ont cessé de fonctionner, vous pouvez ouvrir entièrement la porte.
3. Ajoutez les articles oubliés.
4. Fermer la porte.
5. Le lave-vaisselle fonctionnera après 10 secondes.

NETTOYAGE ET ENTRETIEN

Entretien externe

La porte et son joint

Nettoyez régulièrement les joints de la porte à l'aide d'un chiffon doux et humide afin d'éliminer les dépôts de nourriture. Lors du chargement du lave-vaisselle, des résidus d'aliments et de boissons peuvent s'écouler sur les côtés de la porte du lave-vaisselle. Ces zones sont situées à l'extérieur de la cuve de lavage et ne sont pas atteintes par l'eau provenant des bras d'aspersion. Tout dépôt d'aliment doit être essuyé avant la fermeture de la porte.

Panneau de commande

Essuyez, au besoin, le panneau de commande uniquement à l'aide d'un chiffon doux et humide.

⚠ AVERTISSEMENT

Pour éviter la pénétration d'eau dans la serrure de la porte et les composants électriques, n'utilisez aucun type de nettoyant en aérosol.

N'utilisez jamais de produits de nettoyage abrasifs ou de tampons à récurer sur les surfaces extérieures, car vous risquez de rayer la surface. Certains essuie-tout sont également susceptibles de rayer ou de laisser des marques sur la surface.

Entretien interne

Système de filtrage

Le filtre élimine efficacement les particules alimentaires de l'eau de lavage, permettant ainsi un recyclage pendant le cycle.

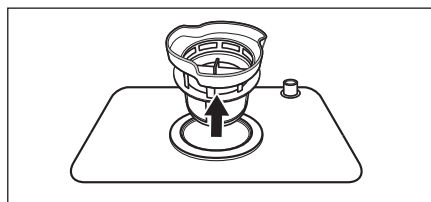
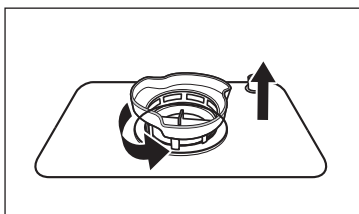
Pour des performances et des résultats optimaux, les filtres doivent être nettoyés régulièrement. Pour cette raison, il est préférable d'enlever les gros résidus alimentaires bloqués par le système de filtrage après chaque cycle de lavage en rinçant à l'eau le godet et le filtre. Pour retirer le bloc de filtre, tirez sur la poignée du godet vers le haut.

⚠ AVERTISSEMENT

Les illustrations sont fournies à titre indicatif, le système de filtration et les bras d'aspersion peuvent varier d'un modèle à l'autre.

1 : Tournez le filtre dans le sens antihoraire, puis le tirer vers le haut.

2 : Soulevez le filtre fin du filtre principal.



⚠ AVERTISSEMENT

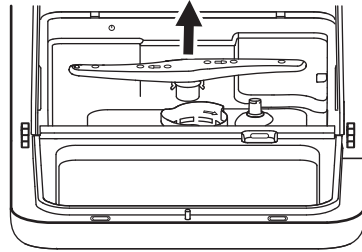
Ne serrez pas excessivement les filtres. Remettez les filtres dans l'ordre avec soin, sinon de gros résidus risquent de pénétrer dans le système et de le bloquer.

N'utilisez jamais le lave-vaisselle sans avoir remis les filtres en place. Un remplacement incorrect du filtre peut réduire le niveau de performance de l'appareil et endommager la vaisselle et les ustensiles.

Nettoyage des bras d'aspersion

Il faut nettoyer les bras gicleurs régulièrement surtout les buses afin d'éviter tout bouchage. Il faut les laver sous l'eau de robinet et les remonter soigneusement en vérifiant que leur mouvement de rotation n'est pas entravé.

Saisissez le bras d'aspersion au milieu, et tirez-le vers le haut pour le retirer. Lavez les bras sous un robinet d'eau et le remettre soigneusement en place. Il faut vérifier que les bras gicleurs tournent librement après chaque remontage. Autrement, il faut vérifier qu'ils ont été remontés correctement.



Entretien du lave-vaisselle

Précaution contre le gel

Prenez des mesures contre le gel pour protéger votre lave-vaisselle en hiver.

Après chaque cycle de lavage, procédez comme suit :

1. Coupez l'alimentation électrique du lave-vaisselle.
2. Coupez l'alimentation en eau et débranchez le tuyau d'entrée d'eau de la vanne d'eau.
3. Évacuez l'eau du tuyau d'entrée d'eau et de la vanne d'eau. (Servez-vous d'une bassine pour recueillir l'eau)
4. Rebranchez le tuyau d'entrée d'eau à la vanne d'eau.
5. Retirez le filtre au fond de la cuve, utilisez une éponge pour absorber l'eau.

Après chaque lavage

Après chaque lavage, couper l'alimentation en eau de l'appareil et laissez la porte légèrement ouverte pendant un certain temps afin d'éliminer l'humidité et les odeurs à l'intérieur de l'appareil.

Débrancher la fiche

Avant tout nettoyage et entretien, il faut toujours débrancher la fiche de la prise.

Pas de nettoyant abrasif ni solvant

Il ne faut pas utiliser de solvants ou de produits de nettoyage abrasifs pour l'extérieur et les parties en caoutchouc du lave-vaisselle. Utilisez uniquement un chiffon imbibé d'eau chaude savonneuse.

Pour éliminer les taches ou les traces des surfaces intérieures, utilisez un chiffon humidifié et un peu de vinaigre ou un produit de nettoyage spécialement conçu pour les lave-vaisselle.

En cas de non-utilisation prolongée

Il est recommandé de lancer un cycle de lavage lorsque le lave-vaisselle est vide, puis de débrancher la fiche, de couper l'alimentation en eau et de laisser la porte du lave-vaisselle légèrement ouverte. Cette précaution permettra de prolonger la durée de vie des joints de porte et d'éviter la formation d'odeurs dans l'appareil.

Déplacement de l'appareil

S'il faut déplacer la machine, essayez de la maintenir verticale. Si cela est absolument nécessaire, vous pouvez la coucher sur le dos.

Joints

Les résidus d'aliments coincés dans les joints sont l'un des facteurs qui entraînent la formation d'odeurs dans le lave-vaisselle. Un nettoyage régulier à l'aide d'une éponge humide permet d'éviter ce problème.

DÉPANNAGE

Avant d'appeler un réparateur

La consultation des tableaux qui suivent pourrait vous éviter de faire appel à un réparateur.

Problème	Cause possible	Solution
Le lave-vaisselle ne démarre pas	• Fusible grillé ou disjoncteur déclenché.	Remplacez le fusible ou réarmez le disjoncteur. Retirez tout autre appareil partageant le même circuit avec le lave-vaisselle.
	• Pas d'alimentation électrique.	Assurez-vous que le lave-vaisselle est allumé et que la porte est bien fermée. Assurez que le cordon d'alimentation est bien branché dans une prise secteur.
	• La pression d'eau est faible	Vérifiez que l'alimentation en eau est correctement raccordée et que l'eau est ouverte.
	• La porte du lave-vaisselle est mal fermée.	Assurez-vous de bien fermer la porte et de la verrouiller.
L'eau n'est pas pompée du lave-vaisselle	• Le tuyau de vidange est tordu ou coincé.	Vérifiez le tuyau de vidange.
	• Le filtre est bouché.	Vérifiez le système de filtration.
	• Évier de cuisine bouché.	Vérifiez l'évier de la cuisine pour vous assurer qu'il se vide correctement. Si le problème est au niveau de l'évier, vous aurez peut-être besoin d'un plombier plutôt que d'un réparateur pour lave-vaisselle.
Mousse dans la cuve	• Le détergent n'est pas approprié.	Utilisez uniquement le détergent prévu pour le lave-vaisselle afin d'éviter la formation de mousse. Dans ce cas, ouvrez le lave-vaisselle et laissez la mousse se dissiper. Versez 1 litre d'eau froide dans le fond du lave-vaisselle. Fermez la porte du lave-vaisselle, puis sélectionnez n'importe quel cycle. Dans un premier temps, le lave-vaisselle évacue l'eau. Ouvrez la porte une fois la phase d'évacuation terminée et vérifiez si la mousse a disparu. Répétez l'opération si nécessaire.
	• Produit de rinçage renversé.	Essuyez toujours immédiatement les produits de rinçage renversés.
Intérieur de la cuve taché	• Un détergent avec colorant peut avoir été utilisé.	Assurez-vous que le détergent ne contient pas de colorant.

Problème	Cause possible	Solution
Pellicule blanche sur les surfaces intérieures	<ul style="list-style-type: none"> • Résidus minéraux de l'eau calcaire. 	Pour nettoyer l'intérieur, servez-vous d'une éponge humide avec du détergent pour lave-vaisselle et portez des gants en caoutchouc. N'utilisez jamais de produit nettoyant autre que du détergent pour lave-vaisselle afin d'éviter qu'il n'y ait de la mousse.
Il y a des taches de rouille sur la vaisselle	<ul style="list-style-type: none"> • Les ustensiles concernés ne sont pas résistants à la corrosion. 	Évitez de laver les objets qui ne sont pas résistants à la corrosion dans le lave-vaisselle.
Bruit de cognement dans le lave-vaisselle	<ul style="list-style-type: none"> • Un bras d'aspersion cogne contre un objet dans un panier 	Arrêtez le programme et disposez à nouveau la vaisselle qui bloque le bras d'aspersion.
Bruit de claquement dans le lave-vaisselle	<ul style="list-style-type: none"> • Des objets bougent dans le lave-vaisselle. 	Arrêtez le programme et disposez à nouveau la vaisselle.
Bruits de cognement dans les conduites d'eau	<ul style="list-style-type: none"> • Cela peut être dû à l'installation ou à la section transversale des tuyaux. 	Cette opération n'a aucune influence sur le fonctionnement du lave-vaisselle. En cas de doute, contactez un plombier qualifié.
La vaisselle n'est pas propre	<ul style="list-style-type: none"> • La vaisselle n'a pas été correctement positionnée. 	Reportez-vous à la section « Préparation et chargement de la vaisselle ».
	<ul style="list-style-type: none"> • Le programme n'était pas assez puissant. 	Choisissez un programme plus intensif.
	<ul style="list-style-type: none"> • Une quantité insuffisante de détergent a été utilisée. 	Utilisez plus de détergent ou changez de détergent.
	<ul style="list-style-type: none"> • De la vaisselle a bloqué le mouvement des bras d'aspersion. 	Réarrangez les objets pour qu'ils ne gênent pas la rotation des bras d'aspersion.
	<ul style="list-style-type: none"> • Les filtres ne sont pas propres ou ne sont pas correctement fixés au fond de la cuve de lavage. Cela peut provoquer le bouchage des buses des bras d'aspersion. 	Nettoyez et/ou fixez le filtre correctement. Nettoyez les bras d'aspersion.
Les objets en verre sont recouverts d'une pellicule blanchâtre.	<ul style="list-style-type: none"> • Combinaison d'eau douce et de trop de détergent. 	Utilisez moins de détergent si vous votre eau est douce et sélectionnez un cycle plus court pour les objets en verre.
Taches noires ou grises sur la vaisselle	<ul style="list-style-type: none"> • Les ustensiles en aluminium ont frotté contre la vaisselle 	Éliminez ces taches avec un nettoyant légèrement abrasif.
Détergent oublié dans le distributeur	<ul style="list-style-type: none"> • La vaisselle bloque le distributeur de détergent 	Recharger correctement la vaisselle.

Problème	Cause possible	Solution
La vaisselle ne sèche pas	• La vaisselle n'a pas été correctement placée	Utilisez des gants si vous trouvez des résidus de détergent sur la vaisselle afin d'éviter les irritations de la peau.
	• Pas assez de produit de rinçage	Augmentez la quantité de produit de rinçage/remplissez le distributeur de produit de rinçage.
	• La vaisselle a été retirée trop tôt	Ne videz pas votre lave-vaisselle immédiatement à la fin du lavage. Entrouvrez la porte pour laisser la vapeur s'échapper. Commencez à sortir la vaisselle quand elle n'est plus chaude au toucher. Videz d'abord le panier inférieur pour éviter que des gouttes ne tombent du panier supérieur.
	• Un mauvais programme a été sélectionné.	S'agissant d'un programme à courte durée, la température de lavage est plus faible, ce qui réduit la performance de lavage. Choisissez un programme dont la durée de lavage est plus longue.
	• Des couverts avec un revêtement de mauvaise qualité ont été utilisés.	L'évacuation de l'eau est plus difficile avec ces ustensiles. Les couverts et la vaisselle de ce type ne doivent pas être lavés dans le lave-vaisselle.

▲ AVERTISSEMENT

La réparation par soi-même ou la réparation par une personne non professionnelle peut entraîner des risques graves pour la sécurité de l'utilisateur de l'appareil et compromettre la garantie.

CODES D'ERREUR


En cas de dysfonctionnement, le lave-vaisselle affiche un code d'erreur. Le tableau suivant indique les éventuels codes d'erreur et leurs causes.

Code	Signification	Cause
E1	Le débit d'alimentation est trop faible.	Un débitmètre, robinet de vidange ou pompe est défectueux, il doit être réparé par un ouvrier qualifié.
E3	La température requise n'a pas été atteinte	Anomalie du tube chauffant ou de la thermistance, il doit être réparé par un technicien qualifié.
E4	Débordement.	Certains accessoires du lave-vaisselle présentent des fuites.
Ed	Anomalie de transmission	Elle doit être réparée par un ouvrier qualifié.

⚠ AVERTISSEMENT

- En cas d'écoulement d'eau, fermez la conduite d'eau principale avant d'appeler le service clientèle.
- Si le bac de condensation contient de l'eau en raison d'un débordement d'eau ou d'une petite fuite, vous devez évacuer l'eau avant de redémarrer le lave-vaisselle.
- S'il y a un code d'erreur qui ne peut pas être résolu, il faut demander une assistance professionnelle.

MARQUES, DROITS D'AUTEUR ET DÉCLARATION LÉGALE

Le logo , les marques verbales, le nom commercial, la présentation et toutes les versions de ces éléments sont des propriétés précieuses de Midea Group ou de ses sociétés affiliées (« Midea »), auxquelles sont rattachés des marques, des droits d'auteur et d'autres droits de propriété intellectuelle, ainsi que toute bonne volonté résultant de l'utilisation d'une partie quelconque de la marque Midea. L'utilisation de la marque Midea à des fins commerciales sans le consentement écrit préalable de Midea peut constituer une contrefaçon de la marque ou une concurrence déloyale en violation des lois pertinentes.

Ce guide est créé par Midea et Midea en réserve tous les droits d'auteur. Aucune entité ou personne ne peut utiliser, dupliquer, modifier, distribuer en totalité ou en partie ce guide, ni le regrouper ou le vendre avec d'autres produits sans le consentement écrit préalable de Midea.

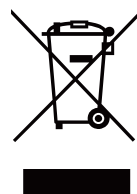
Toutes les fonctions et instructions décrites étaient à jour au moment de l'impression de ce guide. Toutefois, le produit réel peut varier en raison des fonctions et de conceptions améliorées.

ÉLIMINATION ET RECYCLAGE

Consignes importantes relatives à l'environnement

Conformité à la directive DEEE et mise au rebut du produit usagé :
Ce produit respecte la directive européenne DEEE (2012/19/EU). Cet appareil porte un symbole de classification des déchets d'équipements électriques et électroniques (DEEE).

Ce symbole indique que cet appareil, une fois usé, ne doit pas être mis au rebut au même titre que les autres déchets ménagers. L'appareil en fin de vie doit être envoyé à un point de collecte officiel dédié au recyclage des appareils électriques et électroniques. Pour trouver ces points de collecte, veuillez contacter les autorités locales ou le détaillant qui vous a vendu l'appareil. Chaque ménage joue un rôle important dans la récupération et le recyclage des vieux appareils. La mise au rebut appropriée des appareils usagés permet de prévenir les conséquences négatives potentielles pour l'environnement et la santé humaine.



Conformité à la directive RoHS

Le produit que vous avez acheté respecte la directive européenne RoHS (2011/65/EU). Il ne contient pas de matériaux nocifs et interdits spécifiés dans la directive.

Informations sur l'emballage

Les matériaux d'emballage du produit sont fabriqués à partir de matériaux recyclables, conformément à notre réglementation nationale sur l'environnement. Ne jetez pas les matériaux d'emballage avec les déchets ménagers ou autres. Apportez-les aux points de collecte des matériaux d'emballage désignés par les autorités locales.



AVIS SUR LA PROTECTION DES DONNÉES

Pour la fourniture des services convenus avec le client, nous nous engageons à respecter sans restriction toutes les stipulations du droit applicable en matière de protection des données, conformément aux pays convenus au sein desquels les services au client seront fournis ainsi que, le cas échéant, le Règlement général sur la protection des données de l'UE (RGPD).

De manière générale, nous traitons les données dans le but de remplir notre obligation contractuelle avec vous et pour des raisons de sécurité des produits, pour sauvegarder vos droits en rapport avec les questions de garantie et d'enregistrement des produits. Dans certains cas, mais uniquement si une protection appropriée des données est assurée, les données personnelles peuvent être transférées à des destinataires situés en dehors de l'Espace économique européen.

De plus amples informations sont fournies sur demande. Vous pouvez contacter notre délégué à la protection des données via **MideaDPO@midea.com**. Pour exercer vos droits, tels que le droit de s'opposer à ce que vos données personnelles soient traitées à des fins de marketing direct, veuillez nous contacter par le biais de l'adresse suivante **MideaDPO@midea.com**. Pour trouver des informations supplémentaires, veuillez scanner le code QR.

GARANTIE LIMITÉE DU LAVE-VAISSELLE MIDEA

JOINDRE VOTRE REÇU ICI. UNE PREUVE D'ACHAT EST NÉCESSAIRE POUR OBTENIR UN SERVICE DE GARANTIE.

Veillez vous munir des informations suivantes lorsque vous appelez le centre de service client :

- Nom, adresse et numéro de téléphone
- Numéro de modèle et de série
- Une description claire et détaillée du problème
- Preuve d'achat, y compris le nom et l'adresse du fournisseur ou du revendeur

SI VOUS AVEZ BESOIN D'UNE RÉPARATION :

1. Avant de nous contacter pour une réparation, veuillez déterminer si votre produit a besoin d'une réparation. Certaines questions peuvent être traitées sans réparation. Veuillez prendre quelques minutes pour consulter la section Dépannage du mode d'emploi ou visitez le site <http://us.Midea.com/support>.
2. Tous les services de garantie sont fournis exclusivement par nos fournisseurs de services Midea agréés, aux États-Unis et au Canada.

Service clientèle Midea

Aux États-Unis ou au Canada, appelez le 1-866-646-4332.

Du lundi au vendredi, de 8 h à 19 h (heure de l'Est), le samedi, de 9 h à 16 h (heure de l'Est).

Si vous vous trouvez en dehors des 50 États des États-Unis ou du Canada, contactez votre revendeur Midea agréé pour déterminer si une autre garantie s'applique.

GARANTIE LIMITÉE À VIE

CE QUI EST COUVERT

GARANTIE LIMITÉE DE PREMIÈRE ANNÉE (PIÈCES ET MAIN-D'ŒUVRE)

Pendant un an à compter de la date d'achat, si cet appareil est installé, utilisé et entretenu conformément aux instructions jointes ou fournies avec le produit, Midea America Corporation (ci-après « Midea ») paiera les pièces de rechange spécifiées par l'usine et la main-d'œuvre de réparation pour corriger les défauts de matériaux ou de fabrication qui existaient lorsque cet appareil a été acheté, ou, à sa seule discrétion, remplacera le produit. En cas de remplacement du produit, votre appareil sera garanti pour la durée restante de la période de garantie de l'appareil d'origine.

GARANTIE LIMITÉE À VIE (CUVE EN ACIER INOXYDABLE ET REVÊTEMENT INTÉRIEUR DE LA PORTE UNIQUEMENT)

Pendant toute la durée de vie du produit à partir de la date d'achat originale, lorsque ce grand appareil est installé, utilisé et entretenu conformément aux instructions jointes ou fournies avec le produit, Midea paiera les pièces spécifiées par l'usine et la main-d'œuvre pour la réparation des composants suivants afin de corriger les défauts non cosmétiques de matériaux ou de fabrication qui existaient lors de l'achat de ce grand appareil :

- Cuve en acier inoxydable
- Revêtement intérieur de la porte

LE SEUL ET EXCLUSIF RECOURS DU CLIENT DANS LE CADRE DE LA PRÉSENTE GARANTIE LIMITÉE CONSISTE EN LA RÉPARATION OU LE REMPLACEMENT DU PRODUIT COMME PRÉVU ICI. Le service doit être fourni par une compagnie de service désignée par Midea. Cette garantie limitée n'est valable que dans les 50 états des États-Unis ou au Canada et s'applique uniquement lorsque l'appareil électroménager majeur est utilisé dans le pays dans lequel il a été acheté. Cette garantie limitée rentre en vigueur à partir de la date de l'achat initial par le consommateur. Une preuve de la date d'achat originale est requise pour obtenir un service sous cette garantie limitée.

GARANTIE LIMITÉE À VIE CE QUI N'EST PAS COUVERT

1. Utilisation commerciale, non résidentielle ou multifamiliale, ou utilisation non conforme aux instructions publiées à l'intention de l'utilisateur, de l'exploitant ou de l'installateur.
2. Instruction sur l'utilisation de votre produit à domicile.
3. Service visant à corriger un entretien ou une installation incorrects du produit, une installation non conforme aux codes de l'électricité ou de la plomberie, ou une correction de l'électricité ou de la plomberie domestique (c'est-à-dire le câblage de la maison, les fusibles, la plomberie ou les tuyaux d'entrée d'eau).
4. Consommables (ampoules, piles, filtres à air ou à eau, etc.).
5. Défauts ou dommages causés par l'utilisation de pièces ou d'accessoires Midea non authentiques.
6. Les dommages résultant d'un accident, d'une mauvaise utilisation, d'un abus, d'un incendie, d'une inondation, de problèmes électriques, de catastrophes naturelles ou de l'utilisation de produits non approuvés par Midea.
7. Les réparations de pièces ou de systèmes visant à corriger les dommages ou les défauts du produit causés par un service non autorisé, une altération ou une modification de l'appareil.
8. Les dommages cosmétiques, y compris les rayures, les bosses, les ébréchures et autres dommages aux finitions des appareils, sauf si ces dommages résultent de défauts de matériaux et de fabrication et qu'ils sont signalés à Midea dans un délai de 30 jours.
9. Entretien courant du produit.
10. Décoloration, rouille ou oxydation des surfaces résultant d'environnements caustiques ou corrosifs, y compris, mais sans s'y limiter, de fortes concentrations de sel, d'une humidité élevée ou d'une exposition à des produits chimiques.
11. Retrait ou livraison. Ce produit est destiné à être réparé à domicile.
12. Frais de déplacement ou de transport pour l'entretien dans des endroits éloignés où un réparateur agréé Midea n'est pas disponible.
13. Le retrait ou la réinstallation d'appareils ou d'équipements encastrés inaccessibles (c.-à-d. garnitures, panneaux décoratifs, revêtements de sol, armoires, îlots, comptoirs, cloisons sèches, etc.) qui gênent l'entretien, l'enlèvement ou le remplacement du produit.
14. Entretien ou pièces détachées d'appareils dont les numéros de modèle/série d'origine ont été enlevés, modifiés ou ne sont pas facilement identifiables.

Les frais de réparation ou de remplacement dans ces circonstances sont à la charge du client.

EXCLUSIONS DE GARANTIE IMPLICITES

LES GARANTIES IMPLICITES, Y COMPRIS TOUTE GARANTIE IMPLICITE DE QUALITÉ MARCHANDE OU GARANTIE IMPLICITE D'ADAPTATION À UN USAGE PARTICULIER, SONT LIMITÉES À UN AN OU À LA PÉRIODE LA PLUS COURTE AUTORISÉE PAR LA LOI. Certains états et provinces n'autorisent pas les limitations de durée des garanties implicites de qualité marchande ou d'adéquation, de sorte que cette limitation peut ne pas s'appliquer à vous. Cette garantie vous confère des droits légaux spécifiques, et vous permet d'avoir d'autres droits qui varient d'un état à l'autre.

AVIS DE NON-RESPONSABILITÉ DES REPRÉSENTATIONS EN DEHORS DE LA GARANTIE

Midea ne fait aucune déclaration concernant la qualité, la durabilité ou le besoin de service ou de réparation de cet appareil électroménager autre que les déclarations contenues dans cette garantie. Si vous souhaitez une garantie plus longue ou plus complète que la garantie limitée fournie avec cet appareil électroménager, vous devez demander à Midea ou à votre revendeur d'acheter une garantie étendue.

LIMITATION DES RECOURS ; EXCLUSION DES DOMMAGES DIRECTS ET INDIRECTS

LE SEUL ET EXCLUSIF RECOURS DU CLIENT DANS LE CADRE DE LA PRÉSENTE GARANTIE LIMITÉE CONSISTE EN LA RÉPARATION PRÉVUE CI-DESSUS. MIDEA NE SERA PAS TENUE RESPONSABLE DES DOMMAGES DIRECTS ET INDIRECTS. Certains états et provinces n'autorisent pas l'exclusion ou la limitation des dommages directs ou indirects, de sorte que ces limitations et exclusions peuvent ne pas s'appliquer à vous. Cette garantie vous confère des droits légaux spécifiques, et vous permet d'avoir d'autres droits qui varient d'un état à l'autre.

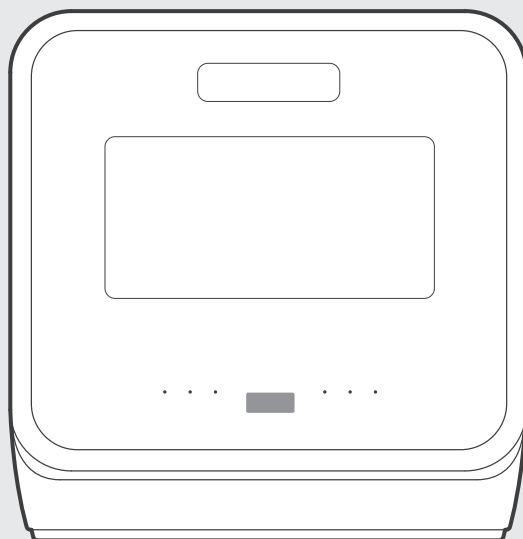


make yourself at home



www.midea.com

0000-0000-0000-0000-0000

The Midea logo, consisting of a stylized circular symbol followed by the word "Midea" in a bold, sans-serif font.

Lavavajillas

MANUAL DEL USUARIO

MDC17P4CWW

Advertencias: Antes de utilizar este producto, lea atentamente este manual y guárdelo para futuras consultas. El diseño y las especificaciones están sujetos a cambios sin previo aviso con el fin de mejorar el producto.

Consulte con su distribuidor o fabricante para obtener más detalles.

La imagen anterior es solo para referencia. Tome la apariencia del producto real como estándar.

NOTA DE AGRADECIMIENTO

¡Gracias por elegir Midea! Antes de usar su nuevo producto Midea, lea atentamente este manual para asegurarse de que sabe cómo manejar las características y funciones que le ofrece su nuevo electrodoméstico de forma segura.

CONTENIDO

NOTA DE AGRADECIMIENTO	01
INSTRUCCIONES DE SEGURIDAD	02
ESPECIFICACIONES	07
DESCRIPCIÓN DEL PRODUCTO	08
GUÍA DE INICIO RÁPIDO	09
INSTALACIÓN DEL PRODUCTO	11
INSTRUCCIONES DE FUNCIONAMIENTO	14
LIMPIEZA Y MANTENIMIENTO	21
SOLUCIÓN DE PROBLEMAS	24
MARCAS COMERCIALES, DERECHOS DE AUTOR Y DECLARACIÓN LEGAL	28
ELIMINACIÓN Y RECICLAJE	29
AVISO DE PROTECCIÓN DE DATOS	30
GARANTÍA	31

INSTRUCCIONES DE SEGURIDAD

SU SEGURIDAD Y LA DE LOS DEMÁS SON MUY IMPORTANTES

Para evitar lesiones al usuario o a otras personas y daños materiales, siga las instrucciones aquí indicadas. El funcionamiento incorrecto debido a la inobservancia de las instrucciones puede causar daños o lesiones, incluso la muerte. El nivel de riesgo se muestra mediante las siguientes indicaciones.



ADVERTENCIA

Este símbolo indica la posibilidad de muerte o lesiones graves.



PRECAUCIÓN

Este símbolo indica la posibilidad de lesiones o daños materiales.



ADVERTENCIA

Este símbolo indica la posibilidad de que exista voltaje peligroso que representa un riesgo de descarga eléctrica que podría provocar la muerte o lesiones graves.



ADVERTENCIA/INSTRUCCIONES DE CONEXIÓN A TIERRA

La conexión incorrecta del conductor de puesta a tierra del equipo puede provocar riesgo de descarga eléctrica. Consulte con un electricista o representante de servicio técnico si tiene dudas sobre si el aparato está correctamente conectado a tierra. No modifique el enchufe suministrado con el aparato. Si el enchufe no encaja en la toma de corriente, haga que un electricista cualificado instale una toma de corriente adecuada.

Para un aparato conectado a tierra con cable:

Este aparato debe estar conectado a tierra. En caso de mal funcionamiento o avería, la conexión a tierra reducirá el riesgo de descarga eléctrica al proporcionar un camino de menor resistencia para la corriente eléctrica. Si este aparato está equipado con un cable que tiene un conductor de tierra y una conexión a tierra. El enchufe debe conectarse a un tomacorriente adecuado que esté debidamente instalado y conectado a tierra.

Para un aparato conectado permanentemente:

Este aparato debe estar conectado a un sistema de cableado permanente de metal conectado a tierra, o se debe tender un conductor de conexión a tierra del equipo con los conductores del circuito y conectarlo al terminal o cable de conexión a tierra del aparato.



ADVERTENCIA

Cuando utilice su lavavajillas, siga estas precauciones básicas:

- Lea todas las instrucciones antes de utilizar el lavavajillas.
- Utilice el lavavajillas solo para la función prevista.
- Utilice únicamente detergentes o agentes de abrillantamiento/humectación recomendados para su uso en lavavajillas y manténgalos fuera del alcance de los niños.
- Al cargar objetos para lavar:
 - Ubique los elementos afilados de modo que no dañen el sello de la puerta.
 - Cargue los cuchillos afilados con los mangos hacia arriba para reducir el riesgo de lesiones de tipo cortante.
- No lave artículos de plástico a menos que estén marcados como "Aptos para lavavajillas" o su equivalente. Para los artículos de plástico que no estén marcados, consulte las recomendaciones del fabricante.
- Los artículos que no son aptos para el lavavajillas pueden derretirse y crear un riesgo potencial de incendio.
- No toque la resistencia durante o inmediatamente después de su uso.
- No opere su lavavajillas a menos que todos los paneles del gabinete estén en su lugar.

- No altere los controles.
- No maltrate la puerta del lavavajillas ni los estantes para platos, ni se siente ni se ponga de pie sobre ellos.
- Para reducir el riesgo de lesiones, no permita que los niños jueguen dentro o encima del lavavajillas.
- En determinadas condiciones, puede producirse gas hidrógeno en un sistema de agua caliente que no se haya utilizado durante dos semanas o más. **EL GAS HIDRÓGENO ES EXPLOSIVO.** Si el sistema de agua caliente no se ha utilizado durante un período de tiempo, antes de utilizar el lavavajillas abra todos los grifos de agua caliente y deje que el agua fluya durante varios minutos. Esto liberará el gas hidrógeno acumulado. No fume ni utilice una llama abierta durante este período de tiempo ya que el gas es inflamable.
- El uso de técnicos de servicio no cualificados o de piezas de repuesto no originales podrían provocar daños graves en el producto y/o lesiones. Todas las reparaciones deben ser realizadas por un técnico de servicio cualificado y se deben utilizar únicamente piezas de repuesto originales de fábrica.
- No almacene ni utilice materiales combustibles, gasolina ni otros vapores y líquidos inflamables cerca de este o cualquier otro aparato.
- Mantenga a los niños pequeños y a los bebés alejados del lavavajillas cuando esté en funcionamiento.
- No utilice el lavavajillas si tiene la línea eléctrica o el enchufe dañados, y no enchufe el lavavajillas en una toma de corriente dañada. El incumplimiento de estas instrucciones puede provocar una descarga eléctrica.
- Este manual no cubre todas las posibles condiciones o situaciones que puedan ocurrir.
- Retire la puerta del compartimento de lavado cuando deje de usarlo definitivamente o deseche un lavavajillas antiguo.

GUARDE ESTAS INSTRUCCIONES
ESTE APARATO ES SÓLO PARA USO DOMÉSTICO


⚠ ADVERTENCIA



Peligro de vuelco

- No utilice el lavavajillas hasta que esté completamente instalado.
- No empuje hacia abajo la puerta abierta.
- Hacerlo puede provocar lesiones graves o cortes.

Advertencias de la Proposición 65 del Estado de California:

 **ADVERTENCIA:** Cáncer y daños reproductivos
-www.P65Warnings.ca.gov.

PRECAUCIÓN

- Nunca utilice productos químicos agresivos para limpiar su lavavajillas. Algunos productos que contienen cloruro pueden dañar su lavavajillas y pueden presentar riesgos para la salud.
- Nunca utilice productos de limpieza a vapor para limpiar su lavavajillas. El fabricante no se hará responsable de los posibles daños o consecuencias.
- Para evitar posibles daños en el lavavajillas, no utilice productos químicos agresivos, limpiadores abrasivos, estropajos (metálicos o de plástico) o paños/toallas de papel abrasivos para limpiar el panel exterior de la puerta del lavavajillas. El panel exterior de la puerta del lavavajillas podría dañarse al hacerlo.
- Se recomienda encarecidamente que el usuario se familiarice con el procedimiento para cortar el suministro de agua entrante y el procedimiento para cortar el suministro de energía entrante. Consulte las Instrucciones de instalación o póngase en contacto con su instalador para obtener más información.
- Si el lavavajillas desagua en un triturador de alimentos, asegúrese de que el triturador esté completamente vacío antes de poner en marcha el lavavajillas.
- Los lavavajillas para uso doméstico con la Certificación NSF/ANSI 184 no han sido diseñados para su uso en establecimientos autorizados para servir alimentos.
- Proteja el lavavajillas de la intemperie. Proteja el lavavajillas contra la congelación para evitar posibles daños en la válvula de llenado. Los daños causados por la congelación no están cubiertos por la garantía.
- No apto para uso en exteriores.

REQUISITOS DE FUNCIONAMIENTO

REQUISITOS ELÉCTRICOS

ADVERTENCIA

Peligro de descarga eléctrica

- Conecte a tierra el lavavajillas.
- Conecte el cable de tierra al conector verde de tierra de la caja de terminales.
- No utilice un cable de extensión.
- El incumplimiento de estas instrucciones puede provocar la muerte, un incendio o una descarga eléctrica.

Este lavavajillas está diseñado para funcionar con un suministro eléctrico individual de 120 V, 60 Hz, 15 ó 20 amperios con fusibles y cable de cobre solamente. Se recomienda utilizar un fusible de retardo o un disyuntor y disponer de un circuito separado que sirva solo a este electrodoméstico. Si se utiliza un tomacorriente, éste debe colocarse en un gabinete adyacente.

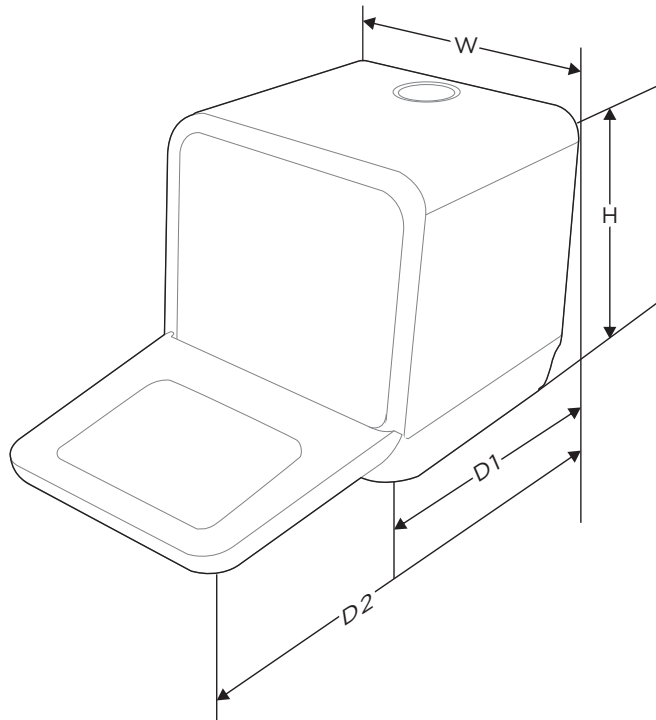
REQUISITOS DE UBICACIÓN

- Instale el lavavajillas en un lugar protegido de la intemperie. Proteja el lavavajillas contra la congelación para evitar la posible rotura de la válvula de llenado. Estas roturas no están cubiertas por la garantía. Para obtener información sobre el almacenamiento durante el invierno, consulte "Almacenamiento" en la sección "Cuidado del lavavajillas".
- Instale y nivele el lavavajillas en un piso que soporte el peso y en un área adecuada para su tamaño y uso.

REQUISITOS DE SUMINISTRO DE AGUA

- La temperatura del suministro de agua debe ser de 49 °C a 66 °C (120 °F a 150 °F).
- El suministro de agua debe mantener la presión del agua entre 20 y 80 psi para un flujo suficiente.

ESPECIFICACIONES



Altura (H)	17 $\frac{1}{2}$ pulgadas
Ancho (W)	16 $\frac{5}{8}$ pulgadas
Profundidad (D1)	17 $\frac{1}{2}$ pulgadas (con la puerta cerrada)
Profundidad (D2)	29 $\frac{5}{8}$ pulgadas (con la puerta abierta 90°)

Hoja de información del producto

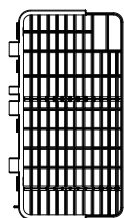
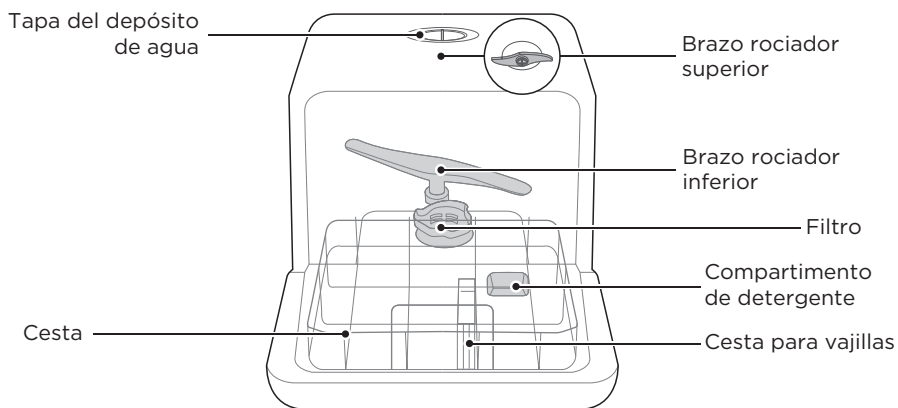
Número de cubiertos estándar	2
Voltaje nominal/Frecuencia	120 V/60 Hz CA

DESCRIPCIÓN DEL PRODUCTO

Producto

● IMPORTANTE

Para obtener un rendimiento óptimo del lavavajillas, lea todas las instrucciones de funcionamiento antes de usarlo por primera vez.



Portacubiertos



Botella de agua



Guía de llenado de agua



Manguera de desagüe

● NOTA

Las imágenes son solo de referencia, los modelos reales pueden ser diferentes.

GUÍA DE INICIO RÁPIDO

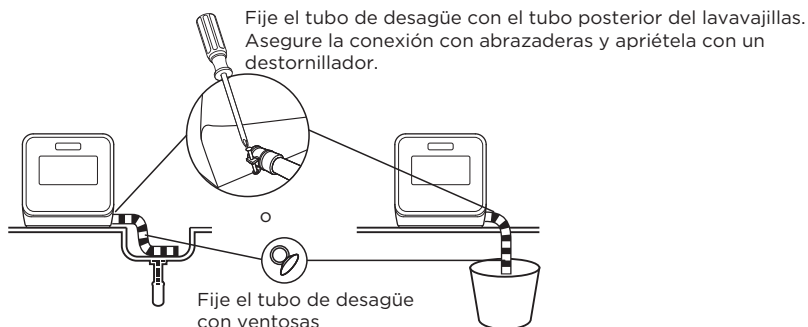
Lea el contenido correspondiente en el manual de instrucciones para conocer el método de operación en detalle.

1. Conexión a fuentes de alimentación

La fuente de alimentación es de 120 V CA 60 Hz.

La especificación del enchufe es de 10 amperios.

Conexión de la manguera de desagüe: Inserte el extremo de la manguera de desagüe de forma segura en el desagüe del fregadero o en un recipiente apropiado.

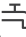



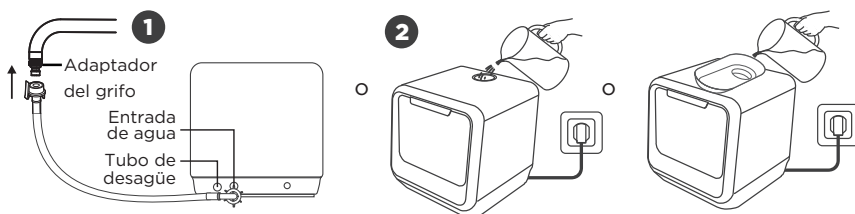
2. Adición de agua al depósito del lavavajillas

Nota: Antes de agregar agua, debe presionar el botón de encendido para encender el lavavajillas.

Hay dos formas de agregar agua al depósito:

- 1 Agregue agua al depósito automáticamente conectando la manguera de entrada al grifo.
- 2 Abra la tapa y agregue agua lentamente al depósito manualmente usando un recipiente de agua.

El símbolo del grifo de agua  se encenderá si no hay suficiente agua en el depósito. Agregue agua hasta que la unidad emita un pitido rápidamente durante 3 segundos y  se apague, lo que significa que el depósito está lleno.



3. Eliminación de residuos grandes

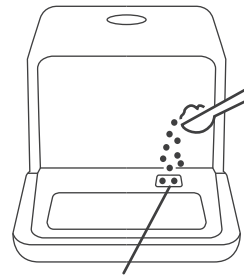
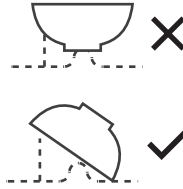
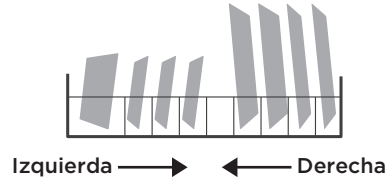
Retire los residuos grandes antes de usar el lavavajillas.



4. Abra la puerta, coloque los platos y agregue el detergente.

Ordene por tamaño y desde los dos lados hacia el centro. Se recomienda inclinar todos los cubiertos para mejorar el rendimiento de limpieza.

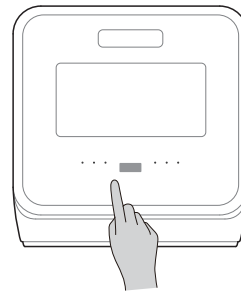
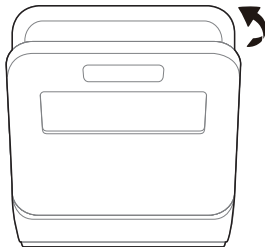
El brazo se bloqueará si los cubiertos se colocan incorrectamente y el efecto de limpieza no será óptimo.



No coloque los platos en dirección horizontal o el rendimiento de limpieza puede verse afectado. Intente dejar el lado sucio de los platos mirando hacia el brazo rociador.

Lugar para agregar el detergente (No agregue el detergente si utiliza el programa de frutas)

5. Cierre la puerta, seleccione el programa e inicie el lavavajillas.



INSTALACIÓN DEL PRODUCTO

ADVERTENCIA



Peligro de descarga eléctrica
Desconecte la corriente antes de instalar el lavavajillas.
Si no lo hace, se podrían producir lesiones o la muerte por descarga eléctrica.

Atención

La instalación de las tuberías y equipos eléctricos debe ser realizada por especialistas.

Acerca de la conexión eléctrica

ADVERTENCIA

Para su seguridad personal:
No utilice un cable de extensión o un enchufe adaptador con este aparato.
Bajo ninguna circunstancia corte o retire la conexión a tierra del cable de alimentación.


Requisitos eléctricos

Mire la etiqueta de clasificación para conocer el voltaje nominal y conecte el lavavajillas a la fuente de alimentación adecuada. Utilice el fusible requerido 10A/13A/16A, el fusible de retardo de tiempo o el disyuntor recomendado y habilite un circuito separado que sirva solo a este aparato.

Conexión eléctrica

Asegúrese de que el voltaje y la frecuencia de la alimentación se correspondan con los de la placa de características. Solo inserte el enchufe en un tomacorriente que esté conectado a tierra correctamente.

Si la toma eléctrica a la que se debe conectar el aparato no es apropiada para el enchufe, reemplace el enchufe, en lugar de usar adaptadores o similares, ya que podrían causar sobrecalentamiento y quemaduras.

 **Asegúrese de que haya una toma a tierra adecuada antes de usar el aparato**

Preparación de la instalación

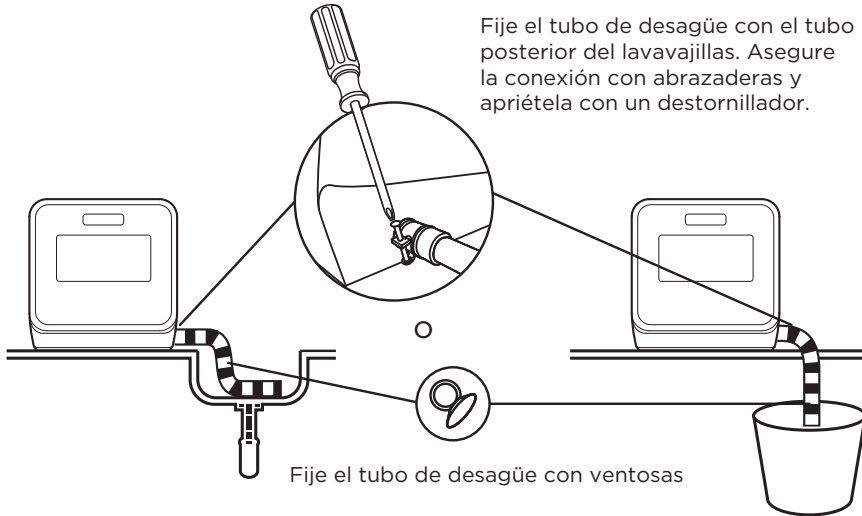
La posición de instalación del lavavajillas debe estar cerca de la salida de desagüe y tomacorriente existentes.

Se debe elegir un lado del fregadero del gabinete para facilitar la conexión de las mangueras de desagüe del lavavajillas.

Posicionamiento del aparato

Coloque el aparato en el lugar deseado. La parte posterior debe apoyarse contra la pared detrás, y los lados, a lo largo de los gabinetes o paredes adyacentes. El lavavajillas está equipado con mangueras de suministro de agua y desagüe que se pueden colocar a la derecha o a la izquierda para facilitar una instalación adecuada.

Conexión de la manguera de desagüe



Fije el tubo de desagüe con el tubo posterior del lavavajillas. Asegure la conexión con abrazaderas y apriétela con un destornillador.

Fije el tubo de desagüe con ventosas

Para la conexión de la tubería de desagüe: Coloque el extremo del desagüe en un fregadero o balde.

Cómo drenar el exceso de agua de las mangueras

Si el fregadero está más de 1 m por encima de la parte inferior del lavavajillas, el exceso de agua podría quedarse en la manguera de desagüe. Es necesario colocar un recipiente de agua adecuado fuera y más bajo que el lavavajillas. El recipiente de agua debe ser de al menos 6 litros.

Salida de agua

Conecte la manguera de desagüe. La manguera de desagüe debe colocarse correctamente para evitar fugas de agua. Asegúrese de que la manguera de desagüe no esté doblada ni aplastada.

Manguera de extensión

Si necesita una extensión de la manguera de desagüe, asegúrese de usar una manguera similar.

No debe tener una longitud superior a 4 metros, de lo contrario se podría reducir el efecto de limpieza del lavavajillas.

Inicio del lavavajillas

Se debe verificar lo siguiente antes de encender el lavavajillas.

1. El lavavajillas esté nivelado y fijado correctamente.
2. El depósito esté lleno de agua.
3. No haya fugas en las conexiones de los conductos.
4. Los cables estén conectados correctamente.
5. La alimentación esté encendida.
6. Las mangueras de desagüe no tengan dobleces.
7. Todos los materiales de embalaje e impresiones deben sacarse del lavavajillas.



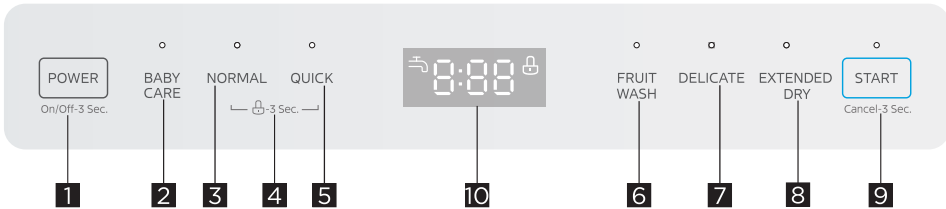
Atención:

Después de la instalación, asegúrese de guardar este manual.

El contenido de este manual es muy útil para los usuarios.

INSTRUCCIONES DE FUNCIONAMIENTO

Panel de control



NOTA: Cuando la puerta está cerrada.

		Descripción
Nro. 1	POWER	• Presione este botón para encender o apagar el lavavajillas.
Nro. 2	BABY CARE	• Para lavar biberones.
Nro. 3	NORMAL	• Ideal para lavar platos con suciedad normal. La etiqueta de consumo de energía se basa en este cuadro de opciones de ciclo con el programa normal Secado extendido (no se recomienda su uso diario).
Nro. 4	BLOQUEO PARA NIÑOS	• Esta función le permite bloquear los botones en el panel de control para que los niños no puedan encender el lavavajillas presionando accidentalmente los botones en el panel. Solo el botón Power permanece activo. Para bloquear o desbloquear los botones del panel de control, mantenga presionado el botón NORMAL + el botón QUICK durante 3 segundos simultáneamente.
Nro. 5	QUICK	• El ciclo Quick (Rápido) es para cargas de vajilla poco sucias o bien aclaradas.
Nro. 6	FRUIT WASH	• Este ciclo es para limpiar frutas, verduras, cáscaras, etc. Durante el uso de este programa, es necesario establecer el nivel y la fuerza del agua.
Nro. 7	DELICATE	• Este ciclo es para limpiar frutas, verduras, cáscaras, etc. Durante el uso de este programa, es necesario establecer el nivel y la fuerza del agua.
Nro. 8	EXTENDED DRY	• Para un mejor resultado de secado. (Solo se puede utilizar con el ciclo BABY CARE, NORMAL)
Nro. 9	START	• Presione este botón para iniciar el programa seleccionado, o presiónelo durante 3 segundos para cancelar el programa seleccionado.
Nro. 10	PANTALLA	• 0:00 Muestra la hora, la función, etc.
		Falla en el suministro de agua
		• Si el indicador “” está encendido, el nivel de agua del depósito interno es bajo y es necesario rellenarlo.
		• Bloqueo para niños Cuando selecciona el botón de bloqueo para niños, se enciende el indicador correspondiente.

Programas

La siguiente tabla muestra qué programas son los mejores según los niveles de residuos de alimentos y la cantidad de detergente necesario. También muestra diversa información sobre los programas. Los valores de consumo y la duración del programa son solo indicativos, excepto para el programa ECO.

Programa	Descripción del ciclo	Duración (min)	Energía (kWh)	Galón de agua (L)	Abrillantador
BABY CARE	Lavado (70°C/158°F) Enjuague Enjuague (72°C/161°F) Secado	150	0.39	5.0 l 1.3 gal	○
NORMAL	Lavado (58°C/136°F) Enjuague Enjuague (70°C/158°F) Secado	145	0.29- 0.31	5.0 l 1.3 gal	○
QUICK	Lavado (50°C/122°F) Enjuague Enjuague	40	0.11	5.0 l 1.3 gal	○
FRUIT WASH	Lavado	20	0.01	5.0 l 1.3 gal	○
DELICATE	Lavado (50°C/122°F) Enjuague Enjuague (62°C/143°F) Secado	120	0.21	5.0 l 1.3 gal	○

Preparación y cargado de los platos

Considere comprar utensilios diseñados para uso en lavavajillas.
Para artículos particulares, seleccione un programa con la temperatura más baja posible.
Para evitar daños, no saque los vasos y los cubiertos del lavavajillas inmediatamente después de terminado el programa.

Para lavar los siguientes cubiertos/platos No son adecuados

Cubiertos con mangos de madera, cuerno de porcelana o nácar
Artículos de plástico no resistentes al calor
Cubiertos antiguos con piezas pegadas no resistentes a la temperatura
Juegos de cubiertos o platos
Artículos de peltre o de cobre
Vasos de cristal
Artículos de acero oxidable
Platos de madera
Artículos hechos de fibras sintéticas

Son de idoneidad limitada

Algunos tipos de vasos pueden opacarse después de un gran número de lavados.
Las piezas de plata y aluminio tienden a decolorarse durante el lavado
Los patrones vidriados pueden desvanecerse si se lavan a máquina con frecuencia

Recomendaciones para cargar el lavavajillas

Raspe las cantidades grandes de comida sobrante. Suavice los restos de comida quemada en sartenes. No es necesario enjuagar los platos con agua corriente.
Para obtener el mejor rendimiento del lavavajillas, siga estas recomendaciones de cargado.

(Las características y el aspecto de las cestas y los portacubiertos pueden variar de su modelo.)

Coloque los objetos en el lavavajillas de la siguiente manera:
Los elementos como tazas, vasos, ollas, sartenes, etc. deben mirar hacia abajo.
Los artículos curvos, o aquellos con huecos, deben cargarse inclinados para que el agua pueda escurrirse. Todos los utensilios están apilados de forma segura y no pueden volcarse.
Todos los utensilios se colocan de manera que los brazos rociadores puedan girar libremente durante el lavado. Cargue artículos huecos como tazas, vasos, sartenes, etc. con la abertura orientada hacia abajo para que el agua no pueda acumularse en el recipiente o en una base profunda.
Los platos y los cubiertos no deben estar dentro de otros ni taparse entre sí.
Para evitar daños, los vasos no deben tocarse entre sí.
¡Los cuchillos de hoja larga almacenados en posición vertical son un peligro potencial!
Los cubiertos largos y afilados, como los cuchillos para trinchar, deben colocarse horizontalmente en la cesta superior.
Por favor, no sobrecargue su lavavajillas. Esto es importante para obtener buenos resultados y para un consumo razonable de energía.

● NOTA

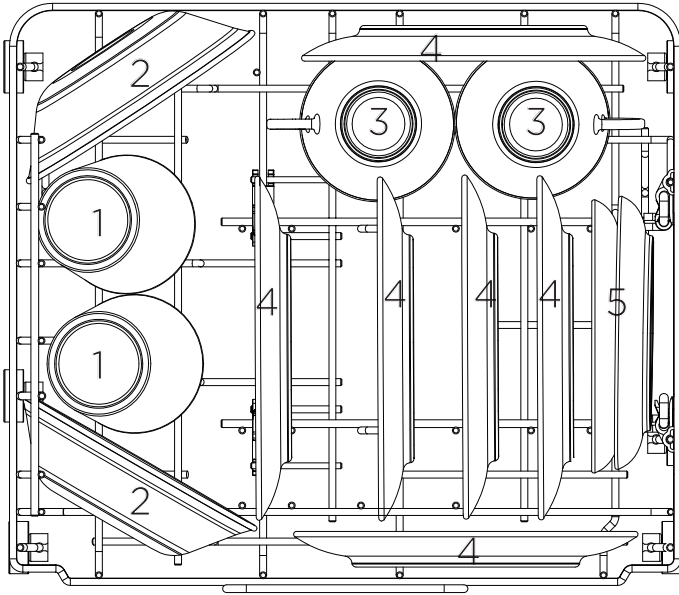
Los artículos muy pequeños no deben lavarse en el lavavajillas, ya que podrían caerse fácilmente de la canasta.

CARGADO DE LAS CESTAS

Cargado de la cesta (2 cubiertos)

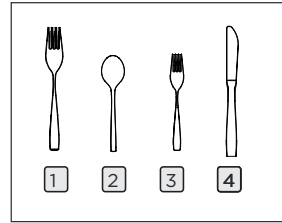
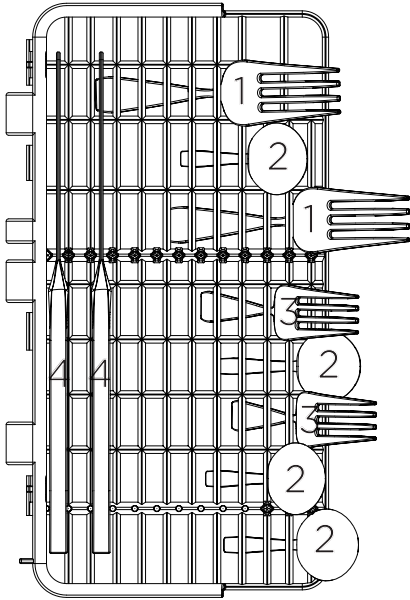
Coloque los platos y utensilios de cocina de manera que no se muevan con el chorro de agua.

A continuación, se indican los tipos de carga recomendados.



Número	Ítem
1	Vasos de té helado
2	Tazón de frutas
3	Tazas
4	Platos de pan y mantequilla
5	Platillos

Cargado del portacubiertos



Número	Ítem
1	Tenedores de cena
2	Cucharitas
3	Tenedores de ensalada
4	Cuchillos

⚠ ADVERTENCIA



No permita que ningún elemento se extienda a través de la parte inferior.

¡Siempre cargue los utensilios afilados con la punta afilada hacia abajo!

Asegúrese de que no sobresalga nada por la parte inferior de la cesta o estante que pueda bloquear el brazo rociador inferior.

⚠ ADVERTENCIA



¡Los utensilios estarán calientes! Para evitar daños, una vez terminado el proceso, espere unos 15 minutos antes de retirar los vasos y los cubiertos del lavavajillas.

Función del abrillantador y el detergente

El abrillantador se libera durante el enjuague final para evitar que se formen gotas de agua en la vajilla, lo que podría dejar manchas y rayas. También mejora el secado al permitir que el agua ruede fuera de los platos. Su lavavajillas está diseñado para usar abrillantadores líquidos.

⚠ ADVERTENCIA

Utilice únicamente un abrillantador de marca para el lavavajillas. No llene nunca el dispensador de abrillantador con otras sustancias (por ejemplo, detergente para lavavajillas, detergente líquido). Esto podría dañar el lavavajillas.

Función del detergente

Los ingredientes químicos que componen el detergente son necesarios para eliminar, triturar y expulsar toda la suciedad del lavavajillas. La mayoría de los detergentes de calidad comercial son adecuados para este propósito.

⚠ ADVERTENCIA

Uso adecuado del detergente

Utilice solo detergente fabricado específicamente para su uso en lavavajillas.

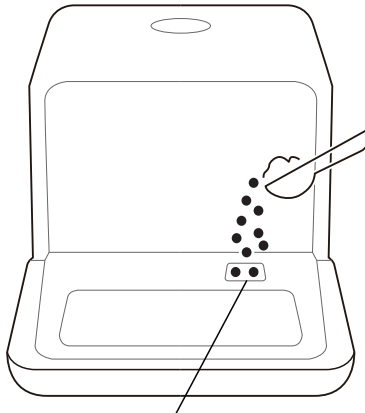
Mantenga el detergente fresco y seco.

No llene detergente en el dispensador hasta que esté listo para encender el lavavajillas.



El detergente para lavavajillas es corrosivo. Mantenga el detergente para lavavajillas fuera del alcance de los niños.

Adición de detergente



Lugar para agregar el detergente
(No agregue el detergente si utiliza el programa de frutas)

Iniciar un programa

1. Vierta el detergente.
2. Inserte el enchufe en el tomacorriente. Los detalles de la fuente de alimentación se encuentran en la última página "Ficha del producto". Asegúrese de que el suministro de agua esté abierto a presión máxima.
3. Cierre la puerta y presione el botón Power.
4. Elija un programa, la luz de respuesta se encenderá. A continuación, presione el botón Start, el lavavajillas iniciará el ciclo después de unos segundos.

Cambiar los programas

Nota: Puede modificar el programa de lavado al comienzo del ciclo.

De lo contrario, es posible que el detergente ya se haya liberado y que el aparato ya haya drenado el agua de lavado. Si este es el caso, el dispensador de detergente debe rellenarse (consulte la sección "Carga del detergente").

Para cambiar el programa de lavado, presione el botón Start/Pause para pausar el aparato y, a continuación, presione el botón Start/Pause durante más de tres segundos para cambiar al modo de espera. A continuación, podrá cambiar el programa a la configuración de ciclo deseado.
(Consulte la sección titulada "Inicio de un ciclo de lavado")

Las luces muestran el estado del lavavajillas:

- a) Todas las luces de fase apagadas-----En espera
- b) La pantalla no parpadea ----- En pausa
- c) La pantalla parpadea -----En funcionamiento

¿Olvidó agregar un plato?

Se puede agregar un plato olvidado en cualquier momento antes de que se abra el dispensador de detergente.

1. Abra la puerta un poco para detener el lavado.
2. Después de que los brazos rociadores dejen de funcionar, puede abrir la puerta por completo.
3. Agregue los platos olvidados.
4. Cierre la puerta.
5. El lavavajillas funcionará después de 10 segundos.

LIMPIEZA Y MANTENIMIENTO

Limpeza exterior

Puerta y junta de la puerta

Limpie regularmente las juntas de la puerta con un paño suave y húmedo para eliminar los residuos de comida. Durante el cargado del lavavajillas, los residuos de alimentos y bebidas pueden gotear en los lados de la puerta del lavavajillas. Estas superficies están fuera del gabinete de lavado y no tienen acceso al agua de los brazos rociadores. Los residuos de comida deben limpiarse antes de cerrar la puerta.

Panel de control

Si se requiere limpieza, el panel de control debe limpiarse solo con un paño suave y húmedo.

⚠ ADVERTENCIA

Para evitar la penetración de agua en la cerradura de la puerta y los componentes eléctricos, no utilice ningún tipo de limpiador en aerosol. Nunca utilice limpiadores abrasivos o estropajos en las superficies exteriores porque podrían rayar el acabado. Algunas toallas de papel también podrían rayar o dejar marcas en la superficie.

Limpeza interior

Sistema de filtrado

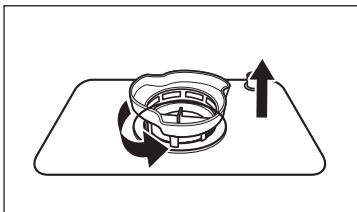
El filtro elimina eficientemente las partículas de alimentos del agua de lavado, permitiendo que se reciclen durante el ciclo.

Para obtener el mejor rendimiento y resultados, el conjunto del filtro debe limpiarse regularmente. Por esta razón, se recomienda eliminar las partículas de alimentos más grandes atrapadas en el filtro después de cada ciclo de lavado enjuagando el filtro y la taza con agua corriente. Para retirar el conjunto del filtro, tire del mango de la taza hacia arriba.

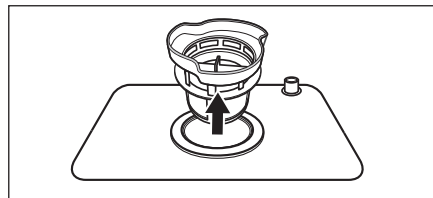
⚠ ADVERTENCIA

Las imágenes son solo para referencia, los modelos del sistema de filtración y los brazos rociadores pueden ser diferentes.

1: Gire en sentido contrario el conjunto del filtro y, a continuación, levántelo todo.



2: Levante el filtro fino del filtro principal.



⚠ ADVERTENCIA

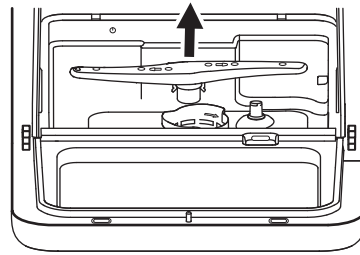
No apriete demasiado los filtros. Vuelva a colocar los filtros en secuencia de forma segura, de lo contrario podrían entrar residuos gruesos en el sistema y provocar una obstrucción.

Nunca utilice el lavavajillas sin los filtros en su lugar. El reemplazo incorrecto del filtro puede reducir el nivel de rendimiento del aparato y dañar la vajilla y los utensilios.

Limpeza de los brazos rociadores

Los brazos rociadores se pueden quitar fácilmente para la limpieza periódica de las boquillas para evitar posibles obstrucciones. Lávelos con agua corriente y reemplácelos cuidadosamente en su lugar, verificando que su movimiento giratorio no se vea obstaculizado de ninguna manera.

Sujete el centro del brazo rociador, tire de él hacia arriba para retirarlo. Lave los brazos rociadores bajo un chorro de agua corriente y vuelva a colocarlos cuidadosamente en su lugar. Después del montaje, compruebe que los brazos rociadores giren libremente. De lo contrario, compruebe que se hayan colocado correctamente.



Cuidado del lavavajillas

Precaución contra heladas

Tome medidas de protección contra heladas en el lavavajillas en invierno.

Después de cada ciclo de lavado, proceda de la siguiente manera:

1. Corte la corriente eléctrica del lavavajillas en la fuente de alimentación.
2. Cierre el suministro de agua y desconecte la manguera de entrada de agua de la válvula de agua.
3. Vacíe el agua de la manguera de entrada y de la válvula de agua. (Utilice un recipiente para recoger el agua)
4. Vuelva a conectar la manguera de entrada de agua a la válvula de agua.
5. Retire el filtro en el fondo de la tina y utilice una esponja para absorber el agua del sumidero.

Después de cada lavado

Después de cada lavado, cierre el suministro de agua al aparato y deje la puerta ligeramente abierta durante un tiempo para que la humedad y los olores no queden atrapados en el interior.

Retire el enchufe

Antes de limpiar o realizar tareas de mantenimiento, retire siempre el enchufe del tomacorriente.

No utilice disolventes ni productos de limpieza abrasivos

Para limpiar el exterior y las piezas de goma del lavavajillas, no utilice disolventes ni productos de limpieza abrasivos. Utilice solamente un paño con agua tibia y jabón. Para eliminar manchas de la superficie interior, utilice un paño humedecido con agua y un poco de vinagre, o un producto de limpieza específico para lavavajillas.

Si no va a utilizar el lavavajillas durante un tiempo prolongado

Se recomienda realizar un ciclo de lavado con el lavavajillas vacío y, a continuación, desconectar el enchufe del tomacorriente, cerrar el suministro de agua y dejar la puerta del aparato ligeramente abierta. Esto ayudará a que las juntas de la puerta duren más y evitará que se formen olores dentro del aparato.

Transporte del lavavajillas

Si es necesario mover el aparato, manténgalo en posición vertical. Si es absolutamente necesario, colóquelo boca arriba.

Juntas

Uno de los factores que provocan la formación de olores en el lavavajillas son los residuos de comida que quedan atrapados en las juntas. Realice una limpieza periódica con una esponja húmeda para evitar que esto ocurra.

SOLUCIÓN DE PROBLEMAS

Antes de llamar al servicio técnico

Revise la siguiente tabla para evitar tener que llamar al servicio técnico.

Problema	Posible causa	Solución
El lavavajillas no enciende	• Fusible quemado o interruptor de circuito desconectado.	Reemplace el fusible o active el interruptor de circuito. Retire cualquier otro aparato que comparta el mismo circuito con el lavavajillas.
	• La fuente de alimentación no está encendida.	Asegúrese de que el lavavajillas esté encendido y que la puerta esté cerrada correctamente. Asegúrese de que el cable de alimentación esté correctamente enchufado en el tomacorriente.
	• La presión del agua es baja	Verifique que el suministro de agua esté conectado correctamente y que el agua esté abierta.
	• La puerta del lavavajillas no está cerrada correctamente.	Asegúrese de que la puerta esté cerrada correctamente y bloqueada.
El agua no sale del lavavajillas	• Manguera de desagüe torcida o aprisionada.	Verifique la manguera de desagüe.
	• El filtro está obstruido.	Verifique el sistema de filtración.
	• El fregadero de la cocina está atascado.	Verifique el fregadero de la cocina para asegurarse de que esté drenando correctamente. Si el problema es que el fregadero de la cocina que no drena, es posible que necesite un plomero en lugar de un técnico de lavavajillas.
Hay espuma en la tina	• Detergente incorrecto.	Utilice solo el detergente especial para lavavajillas para evitar la formación de espuma. Si esto ocurre, abra el lavavajillas y deje que se evapore la espuma. Agregue 1 litro de agua fría al fondo del lavavajillas. Cierre la puerta del lavavajillas y seleccione cualquier ciclo. Inicialmente, el lavavajillas drenará el agua. Abra la puerta después de completar la etapa de drenaje y verifique si la espuma ha desaparecido. Repita el proceso si es necesario.
	• Abrillantador derramado.	Limpie siempre los derrames de abrillantador inmediatamente.

Problema	Posible causa	Solución
Hay manchas en el interior de la tina	<ul style="list-style-type: none"> • Es posible que se haya utilizado detergente con colorante. 	Asegúrese de que el detergente no tenga colorante.
Hay una película blanca en la superficie interior	<ul style="list-style-type: none"> • El agua es demasiado dura. 	Para limpiar el interior, utilice un paño suave humedecido con detergente para lavavajillas y utilice guantes de goma. Nunca utilice ningún otro limpiador que no sea detergente para lavavajillas para evitar el riesgo de formación de espuma o jabonaduras.
Hay manchas de óxido en los cubiertos	<ul style="list-style-type: none"> • Los cubiertos afectados no son resistentes a la corrosión. 	Evite lavar cubiertos que no sean resistentes a la corrosión en el lavavajillas.
Hay un ruido de golpes en el lavavajillas	<ul style="list-style-type: none"> • Un brazo rociador está golpeando contra un objeto en una de las cestas. 	Interrumpa el programa y reorganice los objetos que obstruyen el brazo rociador.
Hay un ruido de traqueteo en el lavavajillas	<ul style="list-style-type: none"> • La vajilla está suelta en el lavavajillas. 	Interrumpa el programa y reorganice los utensilios.
Hay un ruido de golpes en las tuberías de agua	<ul style="list-style-type: none"> • Esto puede deberse a la instalación en el lugar o a la sección transversal de la tubería. 	Esto no afecta el funcionamiento del lavavajillas. En caso de duda, comuníquese con un plomero calificado.
Los platos no están limpios	<ul style="list-style-type: none"> • Los platos no se cargaron correctamente. 	Consulte la sección "Preparación y cargado de los platos".
	<ul style="list-style-type: none"> • El programa no es lo suficientemente potente. 	Seleccione un programa más intensivo.
	<ul style="list-style-type: none"> • La cantidad de detergente es insuficiente. 	Utilice más detergente o cámbielo.
	<ul style="list-style-type: none"> • Hay objetos bloqueando el movimiento de los brazos rociadores. 	Reorganice los utensilios para que el rociador pueda girar libremente.
	<ul style="list-style-type: none"> • La combinación de filtros no está limpia o no está colocada correctamente en la base del gabinete de lavado. Esto puede causar que las boquillas del brazo rociador se bloqueen. 	Limpie y coloque el filtro correctamente. Limpie las boquillas del brazo rociador.
Hay nubosidad en la cristalería.	<ul style="list-style-type: none"> • Se ha combinado agua blanda y demasiado detergente. 	Utilice menos detergente si tiene agua blanda y seleccione un ciclo más corto para lavar la cristalería y dejarla limpia.
Hay marcas negras o grises en la vajilla	<ul style="list-style-type: none"> • Los utensilios de aluminio se han frotado contra los platos 	Utilice un limpiador abrasivo suave para eliminar esas marcas.

Problema	Posible causa	Solución
Hay restos de detergente en el dispensador	<ul style="list-style-type: none"> Los platos bloquean el dispensador de detergente. 	Volver a cargar los platos correctamente.
Los platos no se secan	<ul style="list-style-type: none"> La carga se ha realizado de forma incorrecta. 	Utilice guantes si hay restos de detergente en la vajilla para evitar irritaciones de la piel.
	<ul style="list-style-type: none"> Hay muy poco abrillantador 	Aumente la cantidad de abrillantador/ vuelva a llenar el dispensador de abrillantador.
	<ul style="list-style-type: none"> La vajilla se retira demasiado pronto. 	No vacíe el lavavajillas inmediatamente después del lavado. Abra ligeramente la puerta para que pueda salir el vapor. Saque la vajilla hasta que la temperatura interior sea agradable al tacto. Descargue primero la cesta inferior para evitar que caiga agua de la cesta superior.
	<ul style="list-style-type: none"> Se ha seleccionado un programa incorrecto. 	Con un programa corto, la temperatura de lavado es más baja, disminuyendo el rendimiento de limpieza. Elija un programa con un largo tiempo de lavado.
	<ul style="list-style-type: none"> Uso de cubiertos con un recubrimiento de baja calidad. 	El drenaje del agua es más difícil con estos utensilios de cocina. Los cubiertos o platos de este tipo no son adecuados para lavar en el lavavajillas.

ADVERTENCIA

La reparación por su propia cuenta o por una persona no especializada puede causar graves riesgos para la seguridad del usuario del aparato y afectar a la garantía.

CÓDIGOS DE ERROR


Si hay un mal funcionamiento, el lavavajillas mostrará un código de error. La siguiente tabla muestra los posibles códigos de error y sus causas.

Código	Significado	Causa
E1	Mayor tiempo de entrada.	Hay una falla del medidor de flujo, válvula de drenaje o bomba. Debe ser reparado por un técnico cualificado.
E3	Temperatura requerida insuficiente	Hay una anomalía en el tubo de calentamiento o termistor por lo que debe ser reparado por un técnico calificado.
E4	Desbordamiento.	Algún elemento del lavavajillas tiene fuga.
Ed	Anomalía de comunicación	Debe ser reparado por un técnico cualificado.

ADVERTENCIA

- Si se produce un desbordamiento, apague el suministro principal de agua antes de llamar al servicio técnico.
- Si hay agua en la bandeja de la base debido a un sobrellenado o a una pequeña fuga, se debe retirar el agua antes de volver a encender el lavavajillas.
- Si hay un código de error que no se puede resolver, solicite asistencia profesional.

MARCAS COMERCIALES, DERECHOS DE AUTOR Y DECLARACIÓN LEGAL

 El logotipo, las marcas denominativas, el nombre comercial, la imagen comercial y todas las versiones de los mismos son activos valiosos de Midea Group y/o sus filiales ("Midea"), de las que Midea posee marcas comerciales, derechos de autor y otros derechos de propiedad intelectual, y todo el fondo de comercio derivado del uso de cualquier parte de una marca comercial de Midea. El uso de la marca Midea con fines comerciales sin el consentimiento previo por escrito de Midea puede constituir una infracción de la marca o una competencia desleal en violación de las leyes pertinentes.

Este manual ha sido creado por Midea y Midea se reserva todos los derechos de autor del mismo. Ninguna entidad o individuo puede usar, duplicar, modificar, distribuir en su totalidad o en parte este manual, o agrupar o vender con otros productos sin el consentimiento previo por escrito de Midea.

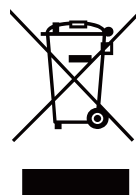
Todas las funciones e instrucciones descritas han sido actualizadas al momento de imprimir este manual. Sin embargo, el producto real puede variar debido a funciones y diseños mejorados.

ELIMINACIÓN Y RECICLAJE

Instrucciones importantes para el medio ambiente

Cumplimiento de la Directiva RAEE y eliminación del producto usado:
Este producto cumple con la Directiva RAEE de la UE (2012/19/UE). Este producto lleva un símbolo de clasificación para los residuos de aparatos eléctricos y electrónicos (RAEE).

Este símbolo indica que este producto no debe eliminarse con otros desechos domésticos al final de su vida útil. El aparato usado debe devolverse a un punto de recogida oficial para el reciclaje de aparatos eléctricos y electrónicos. Para encontrar estos sistemas de recolección, comuníquese con las autoridades locales o la tienda donde compró el producto. Cada hogar desempeña un papel importante en la recuperación y el reciclaje de electrodomésticos viejos. La eliminación adecuada de los aparatos usados ayuda a prevenir posibles consecuencias negativas para el medio ambiente y la salud humana.



Cumplimiento con la directiva RoHS

El producto que ha adquirido cumple con la Directiva RoHS de la UE (2011/65/UE). No contiene materiales nocivos ni prohibidos especificados en esta Directiva.

Información de embalaje

Los materiales de embalaje del producto están fabricados a partir de materiales reciclables de acuerdo con nuestras Regulaciones Nacionales de Medio Ambiente. No deseche los materiales de embalaje junto con los residuos domésticos o de otro tipo. Llévelos a los puntos de recogida de materiales de embalaje designados por las autoridades locales.



AVISO DE PROTECCIÓN DE DATOS

Para la prestación de los servicios acordados con el cliente, nos comprometemos a cumplir sin restricciones con todas las estipulaciones de la ley de protección de datos aplicable, en conformidad con los países acordados dentro de los cuales se prestarán los servicios al cliente, así como, cuando corresponda, el Reglamento General de Protección de Datos de la UE (GDPR).

En general, nuestro tratamiento de datos tiene por objeto cumplir nuestra obligación contractual con usted y, por motivos de seguridad del producto, salvaguardar sus derechos en relación con la garantía y el registro del producto. En algunos casos, pero solo si se garantiza la protección de datos adecuada, los datos personales podrían transferirse a destinatarios ubicados fuera del Espacio Económico Europeo.

Si desea, puede solicitar más información al respecto. Puede ponerse en contacto con nuestro Responsable de Protección de Datos a través de **MideaDPO@midea.com**. Para ejercer sus derechos, como el derecho a oponerse a que sus datos personales sean procesados con fines de marketing directo, póngase en contacto con nosotros a través de **MideaDPO@midea.com**. Para obtener más información, siga el código QR.

GARANTÍA LIMITADA DEL LAVAVAJILLAS MIDEA

ADJUNTE AQUÍ SU RECIBO DE COMPRA. SE REQUIERE EL COMPROBANTE DE COMPRA PARA OBTENER EL SERVICIO DE GARANTÍA.

Por favor, tenga la siguiente información disponible cuando llame al Centro de Servicio al Cliente:

- Nombre, dirección y número de teléfono
- Número de modelo y número de serie
- Descripción clara y detallada del problema
- Comprobante de compra, incluido el nombre y la dirección del distribuidor o minorista

SI NECESITA SERVICIO TÉCNICO:

1. Antes de ponerse en contacto con nosotros para solicitar el servicio técnico, verifique si su producto necesita reparación. Es posible resolver algunas preguntas sin recurrir al servicio técnico. Tómese unos minutos para revisar la sección Solución de problemas del Manual del usuario o visite <http://us.Midea.com/support>
2. Todo el servicio de garantía es proporcionado exclusivamente por nuestros Proveedores de Servicio Midea autorizados, en los EE.UU. y Canadá.

Servicio de atención al cliente de Midea

En los EE.UU. o Canadá, llame al 1-866-646-4332.

Lunes a Viernes 8 am-7 pm EST, Sábado 9 am-4 pm EST.

Si se encuentra fuera de los 50 estados de los Estados Unidos o Canadá, comuníquese con su distribuidor autorizado de Midea para determinar si se aplica otra garantía.

GARANTÍA LIMITADA DE POR VIDA

QUÉ ESTÁ CUBIERTO

PRIMER AÑO DE GARANTÍA LIMITADA (PIEZAS Y MANO DE OBRA)

Durante un año a partir de la fecha de compra, si este electrodoméstico principal se instala, utiliza y mantiene de acuerdo con las instrucciones adjuntas o suministradas con el producto, Midea America Corporation (en adelante "Midea") pagará las piezas de repuesto especificadas de fábrica y la mano de obra de reparación para corregir los defectos de materiales o mano de obra que existían cuando se compró este electrodoméstico principal o, a su entera discreción, reemplazará el producto. En caso de reemplazo del producto, su electrodoméstico estará garantizado durante el plazo restante del período de garantía de la unidad original.

GARANTÍA LIMITADA DE POR VIDA (SOLO TINA DE ACERO INOXIDABLE Y REVESTIMIENTO INTERIOR DE LA PUERTA)

Durante la vida útil del producto a partir de la fecha de compra original, cuando este electrodoméstico principal se instale, utilice y mantenga de acuerdo con las instrucciones adjuntas o suministradas con el producto, Midea pagará las piezas especificadas de fábrica y la mano de obra de reparación de los siguientes componentes para corregir defectos no estéticos en materiales o mano de obra que existían cuando se compró este electrodoméstico principal:

- Tina de acero inoxidable
- Revestimiento interior de la puerta

SU ÚNICO Y EXCLUSIVO RECURSO EN VIRTUD DE ESTA GARANTÍA LIMITADA SERÁ LA REPARACIÓN O REEMPLAZO DEL PRODUCTO SEGÚN LO DISPUESTO EN EL PRESENTE DOCUMENTO. El servicio debe ser prestado por una empresa de servicio designada por Midea. Esta garantía limitada solo es válida en los 50 estados de los Estados Unidos o Canadá y solo se aplica cuando el electrodoméstico principal se utiliza en el país en el que se compró. Esta garantía limitada entra en vigor a partir de la fecha de compra original del consumidor. Se requiere comprobante de la fecha de compra original para obtener servicio bajo esta garantía limitada.

GARANTÍA LIMITADA DE POR VIDA

QUÉ NO ESTÁ CUBIERTO

1. El uso comercial, no residencial o multifamiliar, o el uso contrario a las instrucciones publicadas para el usuario, el operador o la instalación.
2. Instrucción en el hogar sobre cómo utilizar el producto.
3. Servicio técnico para corregir el mantenimiento o la instalación inadecuados del producto, la instalación no conforme con los códigos eléctricos o de fontanería o la corrección de la instalación eléctrica o de fontanería del hogar (es decir, el cableado de la casa, los fusibles, la fontanería o las mangueras de entrada de agua).
4. Piezas consumibles (es decir, bombillas, pilas, filtros de aire o agua, etc.).
5. Defectos o daños causados por el uso de piezas o accesorios no originales de Midea.
6. Daños por accidente, mal uso, abuso, incendio, inundaciones, problemas eléctricos, casos fortuitos o uso con productos no aprobados por Midea.
7. Reparaciones de piezas o sistemas para corregir daños o defectos del producto causados por servicio no autorizado, alteración o modificación del aparato.
8. Daños estéticos, incluidos arañazos, abolladuras, desconchones y otros daños en los acabados del aparato, a menos que dichos daños sean consecuencia de defectos en los materiales y en la mano de obra y se notifiquen a Midea en un plazo de 30 días.
9. Mantenimiento rutinario del producto.
10. Decoloración, herrumbre u oxidación de las superficies resultantes de ambientes cáusticos o corrosivos, incluyendo pero no limitado a altas concentraciones de sal, alta humedad o exposición a productos químicos.
11. Recogida o entrega. Este producto requiere reparación a domicilio.
12. Gastos de viaje o transporte para el servicio técnico en lugares remotos donde no esté disponible un servicio técnico autorizado de Midea.
13. Retirada o reinstalación de electrodomésticos o accesorios empotrados inaccesibles (es decir, molduras, paneles decorativos, suelos, armarios, islas, encimeras, paneles de yeso, etc.) que interfieran con el mantenimiento, la retirada o la sustitución del producto.
14. Servicio o piezas para electrodomésticos cuyos números de modelo/serie originales hayan sido retirados, alterados o no sean fácilmente identificables.

El costo de reparación o sustitución en estas circunstancias excluidas correrá a cargo del cliente.

EXCLUSIÓN DE GARANTÍAS IMPLÍCITAS

LAS GARANTÍAS IMPLÍCITAS, INCLUIDA CUALQUIER GARANTÍA IMPLÍCITA DE COMERCIABILIDAD O GARANTÍA IMPLÍCITA DE IDONEIDAD PARA UN FIN DETERMINADO, ESTÁN LIMITADAS A UN AÑO O AL PERIODO MÁS BREVE PERMITIDO POR LA LEY. Algunos estados y provincias no permiten limitaciones en la duración de las garantías implícitas de comerciabilidad o idoneidad, por lo que es posible que esta limitación no se aplique en su caso. Esta garantía le otorga derechos legales específicos, y también puede tener otros derechos que varían de un estado a otro o de una provincia a otra.

RENUNCIA DE REPRESENTACIONES FUERA DE GARANTÍA

Midea no hace ninguna declaración sobre la calidad, durabilidad o necesidad de servicio técnico o reparación de este electrodoméstico principal que no sean las declaraciones contenidas en esta garantía. Si desea una garantía más amplia o más completa que la garantía limitada que viene con este electrodoméstico principal, consulte a Midea o a su distribuidor acerca de la compra de una garantía extendida.

LIMITACIÓN DE RECURSOS; EXCLUSIÓN DE DAÑOS INCIDENTALES Y CONSECUENTES

SU ÚNICO Y EXCLUSIVO RECURSO BAJO ESTA GARANTÍA LIMITADA SERÁ LA REPARACIÓN DEL PRODUCTO SEGÚN LO DISPUESTO EN ESTE DOCUMENTO. MIDEA NO SERÁ RESPONSABLE POR DAÑOS INCIDENTALES O CONSECUENTES. Algunos estados y provincias no permiten la exclusión o limitación de daños incidentales o consecuentes, por lo que estas limitaciones y exclusiones pueden no aplicarse en su caso. Esta garantía le otorga derechos legales específicos, y también puede tener otros derechos que varían de un estado a otro o de una provincia a otra.



make yourself at home



www.midea.com

0000-0000-0000-0000-0000