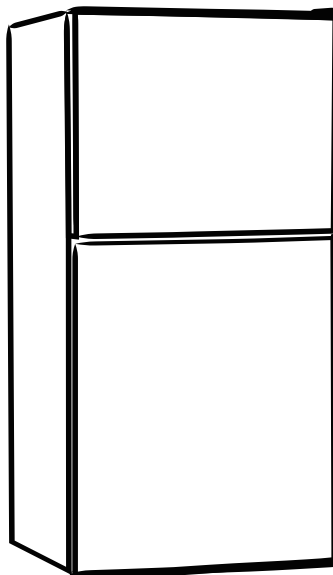




REFRIGERATOR

Compact

USER MANUAL



Free 3 months extension of the original limited warranty period!* Simply text a picture of your proof of purchase to:

1-844-224-1614

*The warranty extension is for the three months immediately following the completion of the product's original warranty period. Individuals do not need to register the product in order to get all the rights and remedies of registered owners under the original limited warranty.



Warning:

Before using this product, please read this manual carefully and keep it for future reference. The design and specifications are subject to change without prior notice for product improvement. Consult with your dealer or manufacturer for details.

Table of Contents

Important Safety Instructions.....	2
Installation.....	4
Temperature Control.....	5
Refrigerator Components.....	6
Before You Call.....	7

SERIAL/MODEL NUMBERS AND IMPORTANT SAFETY INSTRUCTIONS

Read and Save These Instructions

This Instruction Manual provides specific operating instructions for your model. Use your refrigerator only as instructed in this guide. These instructions are not meant to cover every possible condition and situation that may occur. Common sense and caution must be practiced when installing, operating and maintaining any appliance.

Record Your Model and Serial Numbers

Record the model and serial numbers in the space provided below. The serial plate is located on the upper left wall inside the refrigerator.

Model Number: _____


Serial Number: _____

Purchase Date: _____

WARNING

Please read all instructions before using this refrigerator.

Definitions

 This is the safety alert symbol. It is used to alert you to potential personal injury hazards. Obey all safety messages that follow this symbol to avoid possible injury or death.

DANGER

DANGER indicates an imminently hazardous situation which, if not avoided, will result in death or serious injury.

WARNING

WARNING indicates a potentially hazardous situation which, if not avoided, could result in death or serious injury.

CAUTION

CAUTION indicates a potentially hazardous situation which, if not avoided, may result in minor or moderate injury.

IMPORTANT

IMPORTANT indicates installation, operation or maintenance information which is important but not hazard-related.

WARNING

For Your Safety

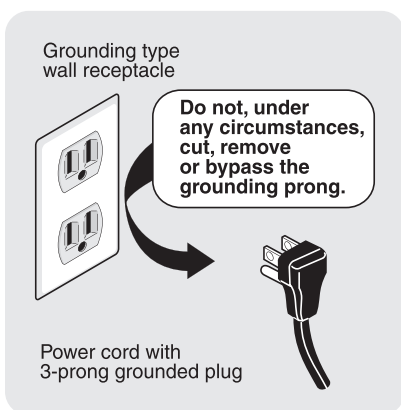
Do not store or use gasoline, or other flammable vapors and liquids, in the vicinity of this or any other appliance. Read product labels for flammability and other warnings.

IMPORTANT SAFETY INSTRUCTIONS

WARNING

Electrical Information

- **The refrigerator must be plugged into its own dedicated 115V, 60Hz, 15 Amp, AC only electrical outlet.** The power cord of the appliance is equipped with a 3-prong grounding plug for your protection against electrical shock hazards. It must be plugged directly into a properly grounded 3-prong receptacle. The receptacle must be installed in accordance with local codes and ordinances. Consult a qualified electrician. Avoid connecting the refrigerator to a ground fault interruptor (GFI) circuit. **Do not use an extension cord or adaptor plug.**
- If the power cord is damaged, it should be replaced by an authorized service technician to prevent any risk.
- Never unplug the refrigerator by pulling on the power cord. Always grip the plug firmly, and pull straight out from the receptacle to prevent damaging the power cord.
- Unplug the refrigerator before cleaning and before replacing a light bulb to avoid electrical shock.
- Performance may be affected if the voltage varies by 10% or more. Operating the refrigerator with insufficient power can damage the compressor. Such damage is not covered under your warranty.
- Do not plug the unit into an electrical outlet controlled by a wall switch or pull cord to prevent the refrigerator from being turned off accidentally.



WARNING

Child Safety

- Destroy carton, plastic bags and any exterior wrapping material immediately after the refrigerator is unpacked. Children should never play with these items. Cartons covered with rugs, bedspreads, plastic sheets or stretch wrap may become airtight chambers and can quickly cause suffocation.
- Remove all staples from the carton. Staples can cause severe cuts and destroy finishes if they come in contact with other appliances or furniture.
- Keep all empty, discarded refrigerators out of the reach of children.
- Remove the door(s) of any appliance that is not in use, even if it is being discarded.

WARNING

Proper Disposal of Your Refrigerator Risk of Child Entrapment

Child entrapment and suffocation are not problems of the past. Junked or abandoned refrigerators are still dangerous – even if they will sit for “just a few days.” If you are getting rid of your old refrigerator, please follow the instructions below to help prevent accidents.

We strongly encourage responsible appliance recycling/disposal methods. Check with your utility company or visit www.recyclemyoldfridge.com for more information about recycling your old refrigerator.

Before you throw away your old refrigerator:

- Remove the doors.
- Leave the shelves in place so children may not easily climb inside.
- Have the refrigerator removed by a qualified service technician.

INSTALLATION

This use and care guide provides general operating instructions for your model. Use the refrigerator only as instructed in this manual. **Before starting the refrigerator, follow these important first steps.**

Location

- Choose a place that is near a grounded electrical outlet. **Do Not** use an extension cord or an adaptor plug.
- To operate the most efficiently, the refrigerator should be located where surrounding temperatures will not drop below 10°F (-12°C) or exceed 110°F (43°C). The Freeze Control Feature is designed to automatically maintain the selected interior refrigerator temperature within these boundaries.
- Allow space around the unit for good air circulation. Leave a 4-inch (101.6mm) space on the back and 3 inches (76.2mm) on the sides of the refrigerator for adequate circulation.

NOTE

The exterior walls of the refrigerator may become quite warm as the compressor works to transfer heat from the inside. Temperatures as much as 30°F warmer than room temperature can be expected. For this reason, it is particularly important in hotter climates to allow enough space for air circulation around your refrigerator.

Leveling

The refrigerator must have all bottom corners resting firmly on a solid floor. The floor must be strong enough to support a fully loaded refrigerator. NOTE: It is very important for your refrigerator to be level in order to function properly. If the refrigerator is not leveled during installation, the door may be misaligned and not close or seal properly, causing cooling, frost or moisture problems.

How to Level Your Refrigerator

After removing all interior and exterior packaging materials, and discarding crating screws and wood base, use a carpenter's level to level the refrigerator from front-to-back. Adjust the leveling feet in front, a half bubble higher, so that the door closes easily when left halfway open.

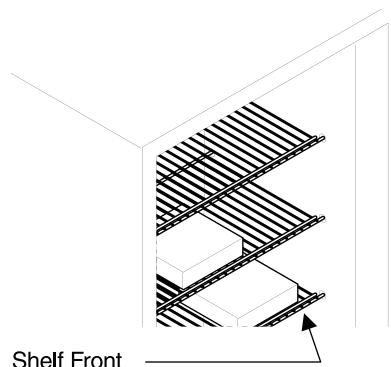
ENERGY SAVING TIPS

Cleaning

- Wash any removable parts of the refrigerator interior and exterior with a mild detergent and warm water. Wipe dry. Do not use harsh cleaners on these surfaces.
- Do not use razor blades or other sharp instruments, which can scratch the appliance surface when removing adhesive labels. Any glue left from the tape can be removed with a mixture of warm water and mild detergent, or touch the residue with the sticky side of the tape already removed. Do not remove the serial plate.

CAUTION

To allow the door to close and seal properly, **DO NOT** let food packages extend past the front of shelves.

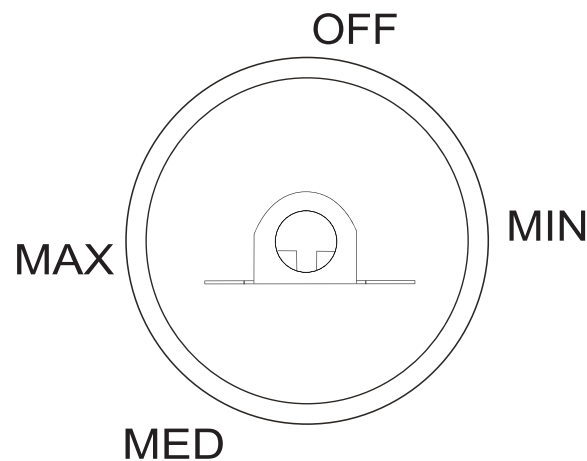


ENERGY SAVING TIPS

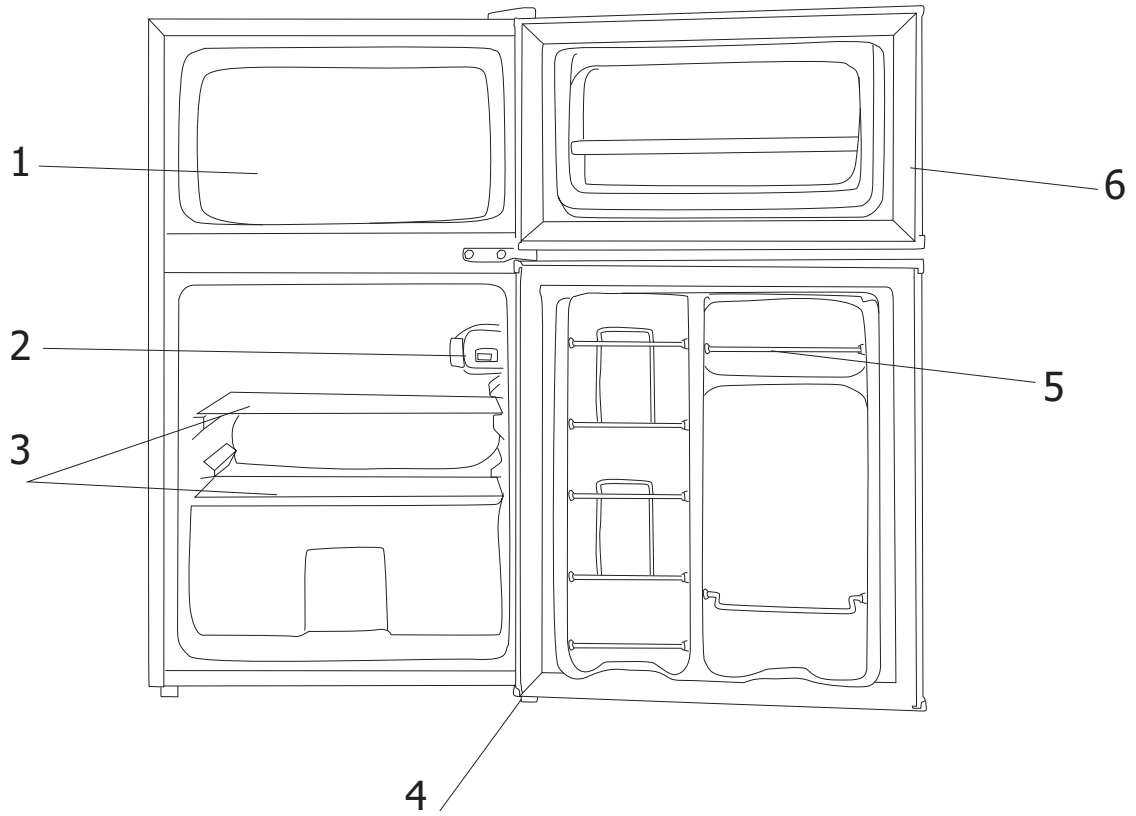
- Install the refrigerator in the coolest part of a dry and ventilated room, out of direct sunlight and away from heating ducts or registers. Do not place the refrigerator next to heat-producing appliances such as a range, oven or dishwasher.
- Level the refrigerator so the door closes tightly.
- Do not overcrowd the refrigerator or block cold air vents. Doing so causes the refrigerator to run longer and use more energy. Shelves should not be lined with aluminum foil, wax paper or paper towels. Liners interfere with cold air circulation, making the refrigerator less efficient.
- Wipe bottles and containers dry before placing them in the refrigerator. This cuts down on moisture build-up inside the unit.
- Organize the refrigerator to reduce door openings. Remove as many items as needed at one time, and close the door as soon as possible.

TEMPERATURE CONTROL

- The temperature selector knob is located on the right-hand interior wall of the refrigerator.
OFF Setting: Unit off
MIN Setting: Less cool temperature
MED Setting: Normal operation (adequate for most situations)
MAX Setting: Coolest temperature
- During high ambient temperatures on hot summer days, it may be necessary to set the thermostat to the coolest setting (MAX).
- This may cause the compressor to run continuously in order to maintain a low temperature in the cabinet.
- When using the refrigerator-freezer for the first time or after defrosting it, turn the temperature control to MAX for at least two hours before putting in food.
All frozen food products you purchase should be placed in the freezer compartment as soon as possible to prevent the frozen food from thawing.
- Follow the storage recommendations printed on the frozen food packaging.



REFRIGERATOR COMPONENTS



1. Freezer

2. Thermostat

3. Shelves

4. Leveling feet

5. Wire steel bar

6. Door

BEFORE YOU CALL

PROBLEM	CAUSE	CORRECTION
REFRIGERATOR OPERATION		
Refrigerator does not run.	<ul style="list-style-type: none"> Refrigerator is plugged into a circuit that has a ground fault interrupter (GFI). Temperature control is in the OFF position. Refrigerator may not be plugged in, or plug may be loose. A house fuse has blown or a circuit breaker has tripped. Power outage. 	<ul style="list-style-type: none"> Use another circuit. If you are unsure about the outlet, have it checked by a certified technician. See TEMPERATURE CONTROL Section. Ensure the plug is tightly pushed into outlet. Check/replace fuse with a 15 Amp time-delay fuse. Reset the circuit breaker. Check house lights. Call the local electric company.
Refrigerator runs too much or too long.	<ul style="list-style-type: none"> Room or outside weather is hot. Refrigerator has recently been disconnected for a period of time. Large amounts of warm or hot food has been stored recently. The door is opened too frequently or for too long. Refrigerator door may be slightly open. Temperature control is set too low. Refrigerator gasket is dirty, worn, cracked or poorly fitted. 	<ul style="list-style-type: none"> It's normal for the refrigerator to work harder under these conditions. It takes 4 hours for the refrigerator to cool down completely. Warm food will cause refrigerator to run more until the desired temperature is reached. Warm air entering the refrigerator causes it to run more. Open door less often. See DOOR PROBLEMS Section. Turn control knob to a warmer setting. Allow several hours for the temperature to stabilize. Clean or change gasket. Leaks in the door seal will cause refrigerator to run longer in order to maintain desired temperature.
Interior refrigerator temperature is too cold.	<ul style="list-style-type: none"> Temperature control is set too low. 	<ul style="list-style-type: none"> Turn the control to a warmer setting. Allow several hours for the temperature to stabilize.
Interior refrigerator temperature is too warm.	<ul style="list-style-type: none"> Temperature control is set too warm. Door is opened too frequently or for too long. Door may not be closing properly. Large amounts of warm or hot food has been stored recently. Refrigerator has recently been disconnected for a period of time. 	<ul style="list-style-type: none"> Turn the control to a colder setting. Allow several hours for temperature to stabilize. Warm air entering the refrigerator causes it to run more. Open door less often. See the DOOR PROBLEMS Section. Warm food will cause refrigerator to run more until the desired temperature is reached. It takes 4 hours for the refrigerator to cool down completely.
Refrigerator external surface temperature is warm.	<ul style="list-style-type: none"> The external refrigerator walls can be as much as 30°F warmer than room temperature. 	<ul style="list-style-type: none"> This is normal while the compressor works to transfer heat from inside the refrigerator cabinet.
SOUND AND NOISE		
Louder sound levels when refrigerator is on.	<ul style="list-style-type: none"> Modern refrigerators have increased storage capacity and more stable temperatures. They require a high-efficiency compressor. 	<ul style="list-style-type: none"> This is normal. When the surrounding noise level is low, you might hear the compressor running while it cools the interior.

WARRANTY

Midea REFRIGERATOR LIMITED WARRANTY

ATTACH YOUR RECEIPT HERE. PROOF OF PURCHASE IS REQUIRED TO OBTAIN WARRANTY SERVICE.

Please have the following information available when you call the Customer Service Center:

- Name, address and telephone number
- Model number and serial number
- A clear, detailed description of the problem
- Proof of purchase including dealer or retailer name and address

IF YOU NEED SERVICE:

1. Before contacting us to arrange service, please determine whether your product requires repair. Some questions can be addressed without service. Please take a few minutes to review the Troubleshooting section of the User Manual, or visit <http://us.Midea.com/support>
2. All warranty service is provided exclusively by our authorized Midea Service Providers, in the U.S. and Canada.

Midea Customer Service

In the U.S.A. or Canada, call 1-866-646-4332.

If outside the 50 States of the United States or Canada, contact your authorized Midea dealer to determine whether another warranty applies.

1 YEAR PARTS AND LABOR

WHAT IS COVERED

FIRST YEAR LIMITED WARRANTY (PARTS AND LABOR)

Midea will repair or replace, without charge, any defects due to faulty materials or workmanship for one full year from the date of purchase. For further detail of warranty coverage and warranty repair information, visit www.midea.com or call **1-866-646-4332**.

Consumer will be responsible for:

- Diagnostics, removal, transportation and reinstallation cost required because of service.
- Costs of service calls that are a result of items listed under **NORMAL RESPONSIBILITIES OF THE CONSUMER****

NORMAL RESPONSIBILITIES OF THE CONSUMER**

This warranty applies only to products in ordinary household use, and the consumer is responsible for the items listed below:

1. Proper use of the appliance in accordance with the instructions provided with the product.
2. Routine maintenance and cleaning necessary to keep the good working condition.
3. Proper installation by an authorized service professional in accordance with instructions provided with the appliance and in accordance with all local plumbing, electrical and / or gas codes.
4. Proper connection to a grounded power supply of sufficient voltage, replacement of blown fuses, repair of loosened connections or defects in house wiring.
5. Expenses for making the appliance accessible for servicing.
6. Damages to finish after installation.

YOUR SOLE AND EXCLUSIVE REMEDY UNDER THIS LIMITED WARRANTY SHALL BE PRODUCT REPAIR OR REPLACEMENT AS PROVIDED HEREIN. Service must be provided by a Midea designated service company. This limited warranty is valid only in the 50 States of the United States or Canada and applies only when the major appliance is used in the country in which it was purchased. This limited warranty is effective from the date of original consumer purchase. Proof of original purchase date is required to obtain service under this limited warranty.

WHAT IS NOT COVERED

1. Failure caused by damage to the unit while in your possession (other than damage caused by defect or malfunction), by its improper installation, or by unreasonable use of the product, including without limitation, failure to provide reasonable and necessary maintenance or to follow the written Installation and Instruction Manual.
2. Products purchased "as-is" or refurbished are not covered by this warranty.
3. Food loss caused by refrigerator or freezer failure.
4. Service calls to repair or replace consumables such as water filters, light bulbs, air filters etc., or handles, knobs and other cosmetic parts.
5. Product that has been transferred from its original owner.
6. Interior or exterior rust on the unit.
7. Damages caused by services performed by persons other than authorized Midea servicers; use of parts other than Midea replacement parts; obtained from persons other than such Midea customer service; or external causes such as abuse, misuse, inadequate power supply or acts of God.
8. Service calls resulting from improper installation of your product.
9. Service calls to instruct you on the use of your product.
10. Surcharges including, but not limited to, any after hour, weekend, or holiday service calls, tolls, ferry trip charges, or mileage expense for service calls to remote areas, including the state of Alaska.
11. If the unit is put to commercial, business, rental, or other use or application other than for consumer use, we make no warranties, express or implied, including but not limited to, any implied warranty of merchantability or fitness for particular use or purpose.
12. Product that has been removed outside the USA or Canada.
13. Products without original serial numbers or products that have serial numbers which have been altered or cannot be readily determined.

NOTE: Some states do not allow the exclusion or limitation of incidental or consequential damages. So this limitation or exclusion may not apply to you.

The cost of repair or replacement under these excluded circumstances shall be borne by the customer.

DISCLAIMER OF IMPLIED WARRANTIES

IMPLIED WARRANTIES, INCLUDING ANY IMPLIED WARRANTY OF MERCHANTABILITY OR IMPLIED WARRANTY OF FITNESS FOR A PARTICULAR PURPOSE, ARE LIMITED TO ONE YEAR OR THE SHORTEST PERIOD ALLOWED BY LAW. Some states and provinces do not allow limitations on the duration of implied warranties of merchantability or fitness, so this limitation may not apply to you. This warranty gives you specific legal rights, and you also may have other rights that vary from state to state or province to province.

DISCLAIMER OF REPRESENTATIONS OUTSIDE OF WARRANTY

Midea makes no representations about the quality, durability, or need for service or repair of this major appliance other than the representations contained in this warranty. If you want a longer or more comprehensive warranty than the limited warranty that comes with this major appliance, you should ask Midea or your retailer about buying an extended warranty.

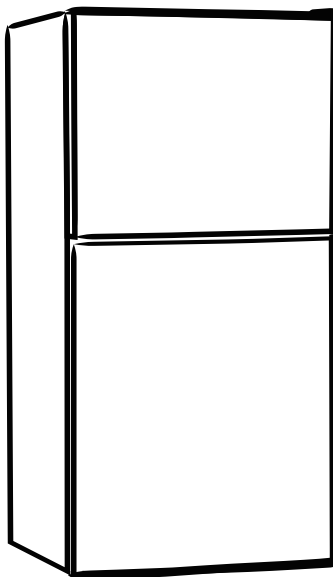
LIMITATION OF REMEDIES; EXCLUSION OF INCIDENTAL AND CONSEQUENTIAL DAMAGES

YOUR SOLE AND EXCLUSIVE REMEDY UNDER THIS LIMITED WARRANTY SHALL BE PRODUCT REPAIR AS PROVIDED HEREIN. MIDEA SHALL NOT BE LIABLE FOR INCIDENTAL OR CONSEQUENTIAL DAMAGES. Some states and provinces do not allow the exclusion or limitation of incidental or consequential damages, so these limitations and exclusions may not apply to you. This warranty gives you specific legal rights, and you also may have other rights that vary from state to state or province to province.



GUIDE DE L'UTILISATEUR

RÉFRIGÉRATEUR Compact



**Extension gratuite
de 3 mois de la période
de garantie limitée initiale!***
Envoyez simplement une
photo de votre preuve d'achat
par message texte au :

1-844-224-1614

*L'extension de garantie porte sur les trois mois
suivant immédiatement
la fin de la période de garantie initiale du produit.
Les particuliers n'ont pas besoin d'enregistrer le
produit pour obtenir tous les droits et recours des
propriétaires enregistrés en vertu de la garantie
limitée d'origine.



Avertissement :

Avant d'utiliser ce produit,
veuillez lire le présent guide avec
soin et le conserver aux fins de
consultation ultérieure. Le
concept et les spécifications
peuvent changer sans préavis à
titre d'amélioration de produit.
Consultez votre concessionnaire
ou fabricant pour obtenir des
précisions.

Table des matières

Consignes de sécurité importantes	2
Installation	4
Contrôle de la température	5
Composantes du réfrigérateur	6
Avant d'appeler	7

NUMÉROS DE SÉRIE/MODÈLE ET CONSIGNES IMPORTANTES DE SÉCURITÉ

Veillez lire et conserver ces instructions

Ce manuel d'instruction fournit des instructions d'utilisation spécifiques pour votre modèle. Utilisez votre réfrigérateur uniquement comme indiqué dans ce guide. Ces instructions ne sont pas censées couvrir toutes les conditions et situations possibles qui peuvent se produire. Il faut faire preuve de bon sens et de prudence lors de l'installation, de l'utilisation et de l'entretien de tout appareil.

Enregistrez vos numéros de modèle et de série

Inscrivez les numéros de modèle et de série dans l'espace prévu ci-dessous. La plaque de série est située sur la paroi supérieure gauche à l'intérieur du réfrigérateur.

Numéro de modèle : _____


Numéro de série : _____

Date d'achat : _____

AVERTISSEMENT

Veillez lire toutes les instructions avant d'utiliser ce réfrigérateur.

Définitions

 C'est le symbole d'alerte de sécurité. Il est utilisé pour vous alerter des risques potentiels de blessures corporelles. Respectez tous les messages de sécurité qui suivent ce symbole pour éviter d'éventuelles blessures ou la mort.

DANGER

DANGER indique une situation dangereuse imminente qui, si elle n'est pas évitée, entraînera la mort ou des blessures graves.

AVERTISSEMENT

AVERTISSEMENT indique une éventuelle situation dangereuse qui, si elle n'est pas évitée, pourrait entraîner la mort ou des blessures graves.

ATTENTION

ATTENTION indique une éventuelle situation dangereuse qui, si elle n'est pas évitée, pourrait entraîner des blessures légères ou modérées.

IMPORTANT

IMPORTANT indique des informations relatives à l'installation, à l'utilisation ou à l'entretien qui sont importantes mais non liées à un danger.

AVERTISSEMENT

Pour votre sécurité

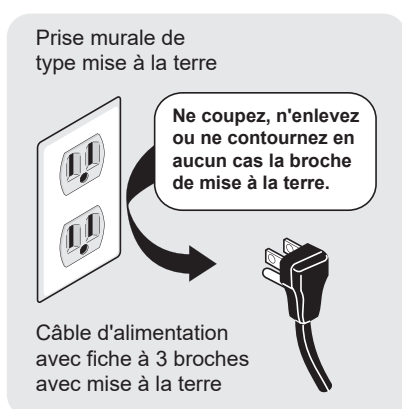
N'entrez pas ou n'utilisez pas d'essence ou d'autres liquides ou vapeurs inflammables à proximité de cet appareil ou de tout autre appareil. Lisez les étiquettes des produits pour connaître l'inflammabilité et les autres avertissements.

CONSIGNES DE SÉCURITÉ IMPORTANTES

⚠ AVERTISSEMENT

Information électrique

- **Le réfrigérateur doit être branché sur sa propre prise électrique dédiée de 115V, 60 Hz, 15 ampères, en courant alternatif uniquement.** Le câble d'alimentation de l'appareil est équipé d'une fiche de mise à la terre à trois broches pour vous protéger contre les risques d'électrocution. Il doit être branché directement sur une prise à trois broches correctement mise à la terre. Le réceptacle doit être installé conformément aux codes et ordonnances locaux. Consultez un électricien qualifié. Évitez de brancher le réfrigérateur sur un circuit à disjoncteur de fuite à la terre (GFI). **N'utilisez pas de rallonge ou d'adaptateur.**
- Si le câble d'alimentation est endommagé, il doit être remplacé par un technicien agréé afin d'éviter tout risque.
- Ne débranchez jamais le réfrigérateur en tirant sur le câble d'alimentation. Saisissez toujours fermement la fiche et retirez-la directement de la prise pour éviter d'endommager le câble d'alimentation.
- Débranchez le réfrigérateur avant de le nettoyer et avant de remplacer une ampoule pour éviter tout choc électrique.
- Les performances peuvent être affectées si la tension varie de 10% ou plus. Faire fonctionner le réfrigérateur avec une puissance insuffisante peut endommager le compresseur. De tels dommages ne sont pas dans le cadre de votre garantie.
- Ne branchez pas l'appareil sur une prise électrique contrôlée par un interrupteur mural ou un cordon de tirage pour éviter que le réfrigérateur ne s'éteigne accidentellement.



⚠ AVERTISSEMENT

Sécurité des enfants

- Détruisez le carton, les sacs en plastique et tout matériau d'emballage extérieur immédiatement après le déballage du réfrigérateur. Les enfants ne doivent jamais jouer avec ces objets. Les cartons recouverts de tapis, de couvre-lits, de feuilles de plastique ou de film étirable peuvent devenir des chambres hermétiques et provoquer rapidement une suffocation.
- Retirez toutes les agrafes du carton. Les agrafes peuvent provoquer de graves coupures et détruire les finitions si elles entrent en contact avec d'autres appareils ou meubles.
- Conservez tous les réfrigérateurs vides et mis au rebut hors de portée des enfants.
- Retirez la ou les portes de tout appareil qui n'est pas utilisé, même s'il est mis au rebut.

⚠ AVERTISSEMENT

Mise au rebut correcte de votre réfrigérateur

Risque de coincement de l'enfant

Le piégeage et la suffocation des enfants ne sont pas des problèmes du passé. Les réfrigérateurs hors d'usage ou abandonnés sont toujours dangereux, même s'ils ne restent que « quelques jours ». Si vous vous débarrassez de votre vieux réfrigérateur, veuillez suivre les instructions ci-dessous pour éviter tout accident.

Nous encourageons vivement les méthodes responsables de recyclage et d'élimination des appareils. Vérifiez auprès de votre compagnie d'électricité ou visitez le site www.recyclemyoldfridge.com pour plus d'informations sur le recyclage de votre ancien réfrigérateur.

Avant de mettre en rebut votre ancien réfrigérateur :

- Déplacez les portes.
- Mettez les étagères à l'endroit approprié afin que les enfants ne puissent pas facilement grimper à l'intérieur.
- Faites retirer le réfrigérateur par un technicien de service qualifié.

Ce guide d'utilisation et d'entretien fournit des instructions générales sur le fonctionnement de votre modèle. Utilisez le réfrigérateur uniquement comme indiqué dans ce manuel. **Avant de démarrer le réfrigérateur, suivez ces premières étapes importantes.**

Emplacement

- Choisissez un endroit situé à proximité d'une prise électrique reliée à la terre. **N'utilisez pas** de rallonge ou d'adaptateur.
- Pour fonctionner le plus efficacement possible, le réfrigérateur doit être placé à un endroit où les températures environnantes ne descendront pas en dessous de 10°F (-12°C) et ne dépasseront pas 110°F (43°C). La fonction de contrôle de la congélation est conçue pour maintenir automatiquement la température intérieure sélectionnée du réfrigérateur dans ces limites.
- Laissez de l'espace autour de l'appareil pour une bonne circulation de l'air. Laissez un espace de 4 pouces (101,6mm) à l'arrière et de 3 pouces (76,2mm) sur les côtés du réfrigérateur pour une circulation adéquate.

REMARQUE

Les parois extérieures du réfrigérateur peuvent devenir assez chaudes lorsque le compresseur travaille pour transférer la chaleur de l'intérieur. On peut s'attendre à des températures supérieures de 30°F à la température ambiante. C'est pourquoi il est particulièrement important, dans les climats chauds, de prévoir suffisamment d'espace pour la circulation de l'air autour de votre réfrigérateur.

Mise à niveau

Le réfrigérateur doit avoir tous les coins inférieurs reposant fermement sur un sol solide. Le plancher doit être suffisamment solide pour supporter un réfrigérateur entièrement chargé. **REMARQUE** : Il est très important que votre réfrigérateur soit de niveau afin de fonctionner correctement. Si le réfrigérateur n'est pas mis à niveau lors de l'installation, la porte peut être mal alignée et ne pas se fermer ou sceller correctement, entraînant des problèmes de refroidissement, de gel ou d'humidité.

Comment mettre à niveau votre réfrigérateur

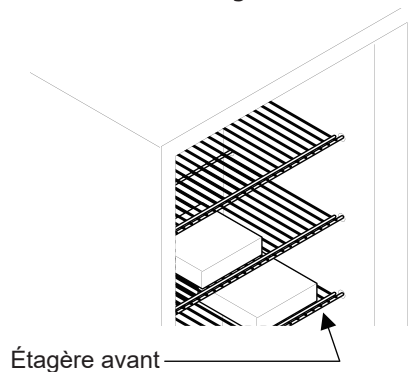
Après avoir retiré tous les matériaux d'emballage intérieurs et extérieurs, et jeté les vis de mise en caisse et la base en bois, utilisez un niveau de charpentier pour mettre le réfrigérateur à niveau d'avant en arrière. Réglez les pieds de nivellement à l'avant, une demi-bulle plus haut, de sorte que la porte se ferme facilement lorsqu'elle est laissée à moitié ouverte.

Nettoyage

- Lavez toutes les parties amovibles de l'intérieur et de l'extérieur du réfrigérateur avec un détergent doux et de l'eau chaude. Essuyez à sec. N'utilisez pas de nettoyeurs agressifs sur ces surfaces.
- N'utilisez pas de lames de rasoir ou d'autres instruments tranchants, qui peuvent rayer la surface de l'appareil lors du retrait des étiquettes adhésives. Les restes de colle peuvent être enlevés avec un mélange d'eau chaude et de détergent doux, ou en touchant le résidu avec le côté collant du ruban déjà enlevé. Ne retirez pas la plaque de série.

ATTENTION

Pour permettre à la porte de se fermer et de se sceller correctement, **NE laissez PAS** les emballages d'aliments dépasser l'avant des étagères.



CONSEILS D'ÉCONOMIE D'ÉNERGIE

- Installez le réfrigérateur dans la partie la plus fraîche d'une pièce sèche et ventilée, à l'abri de la lumière directe du soleil et loin des conduits ou des registres de chauffage. Ne placez pas le réfrigérateur à côté d'appareils produisant de la chaleur, comme une cuisinière, un four ou un lave-vaisselle.
- Mettez le réfrigérateur à niveau de façon à ce que la porte se ferme hermétiquement.
- Ne surchargez pas le réfrigérateur et ne bloquez pas les orifices d'air froid. Ainsi, le réfrigérateur fonctionne plus longtemps et consomme plus d'énergie. Les étagères ne doivent pas être recouvertes de papier d'aluminium, de papier ciré ou de serviettes en papier. Les doublures interfèrent avec la circulation de l'air froid, ce qui réduit l'efficacité du réfrigérateur.
- Essuyez les bouteilles et les récipients avant de les placer dans le réfrigérateur. Cela permet de réduire l'accumulation d'humidité à l'intérieur de l'unité.
- Organisez le réfrigérateur pour réduire les ouvertures de porte. Retirez autant d'objets que nécessaire en une seule fois et fermez la porte dès que possible.

COMMANDE DE LA TEMPÉRATURE

- Le bouton de sélection de la température est situé sur la paroi intérieure droite du réfrigérateur.

Réglage OFF : Unité désactivée

Réglage MIN : Température moins fraîche

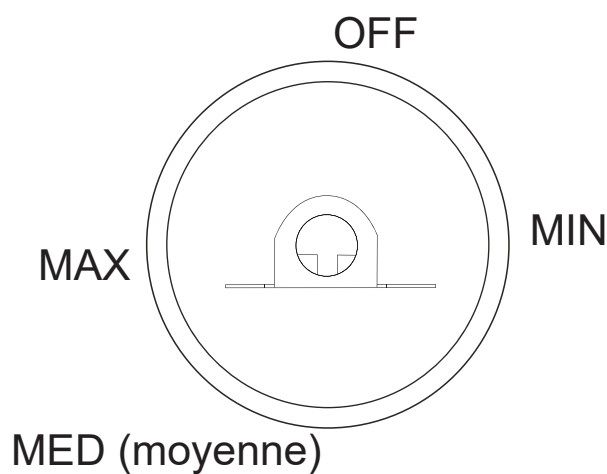
Réglage MED (MOYENNE) : Fonctionnement normal (adéquat pour la plupart des situations)

Réglage MAX : Température la plus froide

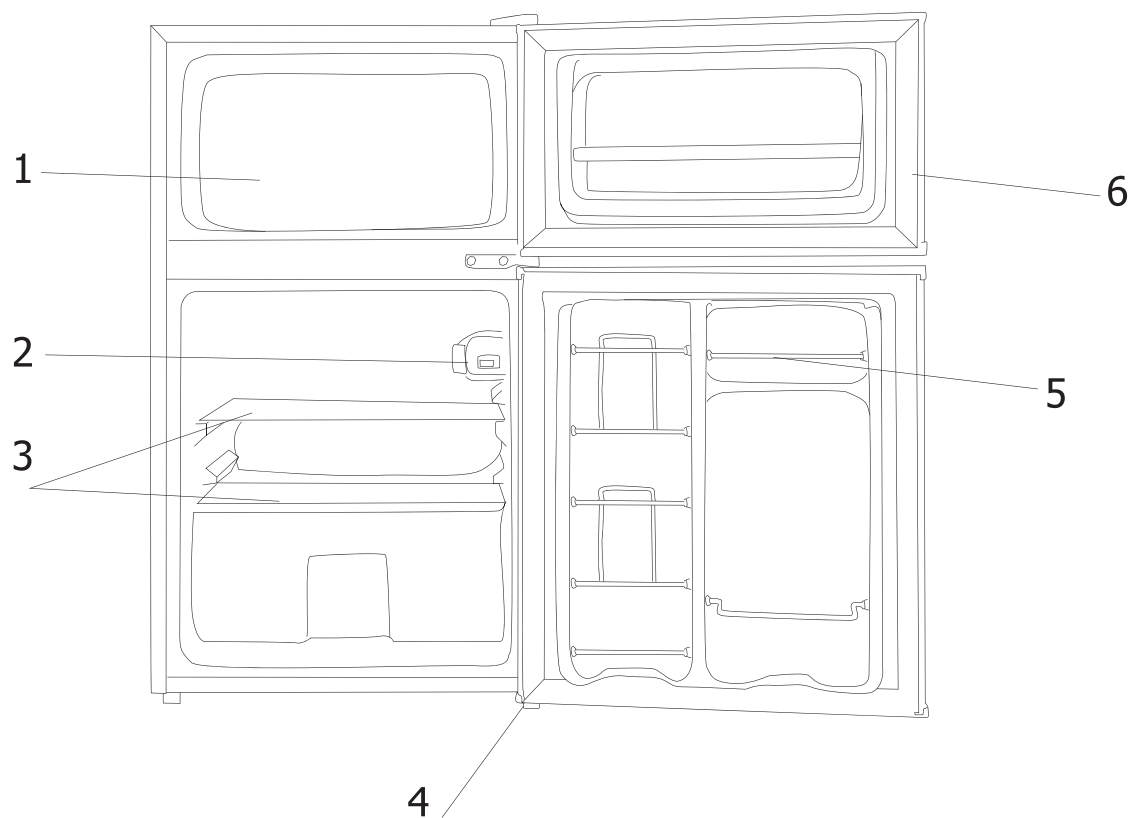
- Lorsque les températures ambiantes sont élevées pendant les chaudes journées d'été, il peut être nécessaire de régler le thermostat sur le réglage le plus froid (MAX).
- Cela peut entraîner le fonctionnement continu du compresseur afin de maintenir une température basse dans l'armoire.
- Lorsque vous utilisez le réfrigérateur-congélateur pour la première fois ou après l'avoir dégivré, mettez la commande de température sur MAX pendant au moins deux heures avant d'y placer des aliments.

Tous les produits alimentaires congelés que vous achetez doivent être placés dans le compartiment congélateur dès que possible pour éviter que les aliments congelés ne décongèlent.

- Suivez les recommandations de conservation imprimées sur l'emballage des aliments surgelés.



COMPOSANTS DU RÉFRIGÉRATEUR



- | | | |
|------------------------|------------------|-------------|
| 1. Congélateur | 2. Thermostat | 3. Étagères |
| 4. Pied de nivellement | 5. Barre d'acier | 6. Porte |

AVANT D'APPELER

PROBLÈME	CAUSE	CORRECTION
FONCTIONNEMENT DU RÉFRIGÉRATEUR		
Le réfrigérateur ne fonctionne pas.	<ul style="list-style-type: none"> Le réfrigérateur est branché sur un circuit équipé d'un disjoncteur de fuite à la terre (GFI). Le réglage de température est en position OFF (arrêt). Le réfrigérateur n'est peut-être pas branché, ou la fiche est peut-être desserrée. Un fusible domestique a sauté ou un disjoncteur s'est déclenché. Coupure d'électricité. 	<ul style="list-style-type: none"> Utilisez un autre circuit. Si vous n'êtes pas sûr de la prise, faites-la vérifier par un technicien certifié. Voir la section RÉGLAGE DE LA TEMPÉRATURE. Assurez-vous que la fiche est bien enfoncée dans la prise. Vérifiez/remplacez le fusible par un fusible à retardement de 15 ampères. Réinitialisez le disjoncteur. Vérifiez les lumières de la maison. Appelez la compagnie d'électricité locale.
Le réfrigérateur fonctionne trop ou trop longtemps.	<ul style="list-style-type: none"> La pièce ou le temps extérieur est chaud. Le réfrigérateur a récemment été débranché pendant un certain temps. De grandes quantités d'aliments tièdes ou chauds ont été stockées récemment. La porte est ouverte trop fréquemment ou trop longtemps. La porte du réfrigérateur peut être légèrement ouverte. Le contrôle de la température est réglé trop bas. Le joint du réfrigérateur est sale, usé, fissuré ou mal ajusté. 	<ul style="list-style-type: none"> Il est normal que le réfrigérateur fonctionne davantage dans ces conditions. Il faut 4 heures pour que le réfrigérateur refroidisse complètement. Les aliments chauds feront fonctionner davantage le réfrigérateur jusqu'à ce que la température souhaitée soit atteinte. L'air chaud qui entre dans le réfrigérateur le fait fonctionner davantage. Ouvrez la porte moins souvent. Voir la section PROBLÈMES DE PORTE. Tournez le bouton de commande sur un réglage plus chaud. Laissez plusieurs heures pour que la température se stabilise. Nettoyez ou changez le joint d'étanchéité. Les fuites dans le joint de la porte font que le réfrigérateur doit fonctionner plus longtemps pour maintenir la température désirée.
La température intérieure du réfrigérateur est trop basse.	<ul style="list-style-type: none"> Le contrôle de la température est réglé trop bas. 	<ul style="list-style-type: none"> Tournez la commande sur un réglage plus chaud. Laissez plusieurs heures pour que la température se stabilise.
La température intérieure du réfrigérateur est trop élevée.	<ul style="list-style-type: none"> La commande de température est réglée sur une température trop élevée. La porte est ouverte trop fréquemment ou pendant trop longtemps. Il se peut que la porte ne se ferme pas correctement. De grandes quantités d'aliments tièdes ou chauds ont été stockées récemment. Le réfrigérateur a récemment été débranché pendant un certain temps. 	<ul style="list-style-type: none"> Tournez la commande sur un réglage plus froid. Laissez plusieurs heures pour que la température se stabilise. L'air chaud qui entre dans le réfrigérateur le fait fonctionner davantage. Ouvrez la porte moins souvent. Voir la section PROBLÈMES DE PORTE. Les aliments chauds feront fonctionner davantage le réfrigérateur jusqu'à ce que la température souhaitée soit atteinte. Il faut 4 heures pour que le réfrigérateur refroidisse complètement.
La température de la surface externe du réfrigérateur est élevée.	<ul style="list-style-type: none"> Les parois extérieures du réfrigérateur peuvent être jusqu'à 30°F plus chaudes que la température ambiante. 	<ul style="list-style-type: none"> Ceci est normal pendant que le compresseur travaille pour transférer la chaleur de l'intérieur de l'armoire du réfrigérateur.
SON ET BRUIT		
Niveaux sonores plus élevés lorsque le réfrigérateur est en marche.	<ul style="list-style-type: none"> Les réfrigérateurs modernes ont une capacité de stockage accrue et des températures plus stables. Ils nécessitent un compresseur à haut rendement. 	<ul style="list-style-type: none"> C'est normal. Lorsque le niveau de bruit ambiant est faible, vous pouvez entendre le compresseur fonctionner pendant qu'il refroidit l'intérieur.

For more information, please visit our website
www.midea.com/ca

Midea Group All Right Reserved.
CS174I-BP11M

Customer service
Toll free: 1-866-646-4332
www.midea.com/ca

Midea

make yourself at home