

High Static Pressure Duct Two-pipe AC Fan Coil Unit

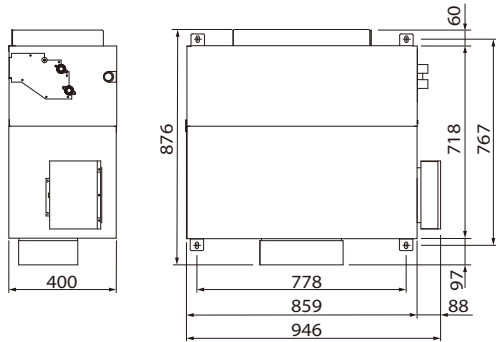
Features

- ❖ High air volume, high static pressure, high capacity
- ❖ High-pressure centrifugal fan
- ❖ Easy to clean and change air filter
- ❖ Auxiliary electrical heater
- ❖ Flexibility for control
- ❖ Standard extended drainage pan for protecting ceiling better
- ❖ Four-speed motor with super-high speed reserved
- ❖ Pipe connection from left or right

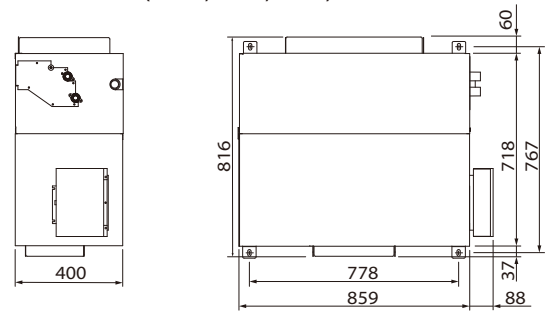


Dimensions

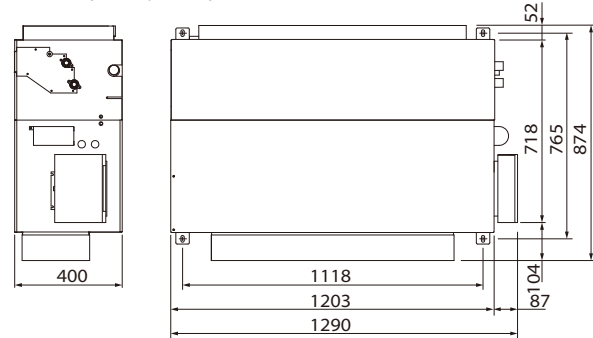
MKT3H-800(1000,1200,1400)EG70



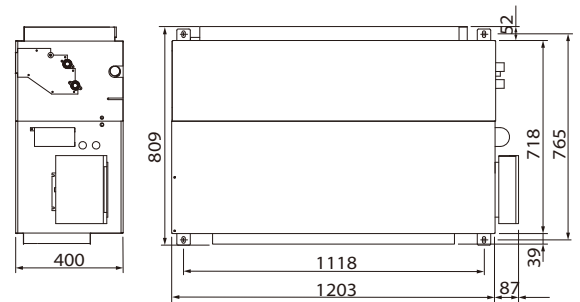
MKT3H-800(1000,1200,1400)G70



MKT3H-1600(1800,2200)EG100



MKT3H-1600(1800,2200)G100



Specifications

Model		MKT3H-800G70 MKT3H-800EG70	MKT3H-1000G70 MKT3H-1000EG70	MKT3H-1200G70 MKT3H-1200EG70	MKT3H-1400G70 MKT3H-1400EG70	MKT3H-1600G100 MKT3H-1600EG100	MKT3H-1800G100 MKT3H-1800EG100	MKT3H-2200G100 MKT3H-2200EG100	
Power supply	V/Ph/Hz	220-240/1/50							
Air flow (H/M/L)	m³/h	1,360/1,220/1,090	1,700/1,530/1,380	2,040/1,880/1,610	2,380/2,120/1,860	2,720/2,450/2,170	3,060/2,750/2,450	3,740/3,360/2,990	
	CFM	800/720/640	1,000/900/810	1,200/1,105/950	1,400/1,250/1,095	1,600/1,440/1,280	1,800/1,620/1,440	2,200/1,980/1,760	
Standard external static pressure	Pa	70	70	70	70	100	100	100	
Cooling	Capacity (H/M/L)	kW	6.6/6.37/6.12	8.8/8.19/7.57	10.9/44/8.53	12/11.47/10.24	14.1/13.03/11.87	15.8/14.6/13.46	19.9/18.58/17.24
	Water flow rate	L/h	1135	1514	1720	2064	2425	2718	3423
	Water pressure drop	kPa	8	24	24	36	52	90	130
Heating	Capacity (H/M/L)	kW	9.7/8.54/7.18	13.2/11.48/9.9	15.0/12.9/11.25	17.9/15.75/13.6	21.2/18.23/15.69	23.8/20.94/17.85	30.0/26.7/22.5
	Water pressure drop	kPa	8.4	25	23.4	34.2	51	85	121
Power input (H/M/L)	W	320/300/285	350/320/300	350/320/290	350/300/285	550/520/500	800/680/620	950/860/760	
Auxiliary electric heater (AEH)	W	5000	5000	5000	5000	9500	9500	9500	
Sound pressure level	dB(A)	49/42/35	50/43/36	51/44/37	52/45/38	54/47/40	60/53/46	61/54/47	
Coil	Row	2	3	3	4	3	3	3	
	Max. working pressure	MPa	1.6				1.6		
	Diameter	mm	Ø9.52				Ø9.52		
Net dimensions (W×H×D)	mm	946×400×816					1,290×400×809		
Packing size (non-AEH/with-AEH) (W×H×D)	mm	Left connection: 1,075×480×857/1,075×480×925					Left connection: 1,448×460×877/1,448×460×950		
		Right connection: 1,015×480×857/1,015×480×925					Right connection: 1,383×422×877/1,368×460×950		
Net weight (non-AEH/with-AEH)	kg	50/53	52/55	52/55	54/57	76/82			
Gross weight (non-AEH/with-AEH)	kg	55/58	57/60	57/60	59/62	83/89			
Water inlet/outlet pipe	inch	RC3/4					RC3/4		
Drain pipe	inch	R3/4					R3/4		

- Cooling conditions: Entering water 7°C, leaving water 12°C, Entering air temperature 27°C DB/19°C WB.
- Heating conditions: Entering water 50°C, the same water flow as the cooling conditions, Entering air temperature 20°C DB.
- Noise is test in a semi-anechoic test room.



Midea CAC After-service Application

Midea CAC News Application



iOS Version



Android Version



iOS Version

CÔNG TY TNHH MIDEA HVAC VIỆT NAM

Add.: Phòng 1601, tòa nhà Detech, số 8 Tôn Thất Thuyết, Mỹ Đình 2, Nam Từ Liêm, Hà Nội

cac.midea.com global.midea.com

Note: Product specifications change from time to time as product improvements and developments are released and may vary from those in this document.